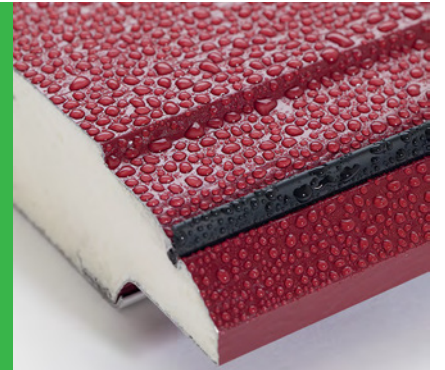




Воротные СИСТЕМЫ

**Гаражные ворота Prestige
Промышленные ворота
ProPlus, AluPro, AluTherm**

Каталог комплектующих и ремонтных узлов



Содержание

| | |
|---|-----|
| 1. Секционные ворота серий Prestige и ProPlus | 11 |
| 1.1 Конструкция секционных ворот..... | 13 |
| 1.2 Полотно ворот | 23 |
| 1.3 Встроенная калитка | 85 |
| 1.4 Системы направляющих и подвеса | 133 |
| 1.5 Система балансировки..... | 173 |
| 2. Дополнительная комплектация | 215 |
| 3. Метизы..... | 227 |
| 4. Ремонтные узлы | 233 |

01.2020 © ALUTECH

В связи с постоянным совершенствованием конструкции секционных ворот компания «АЛЮТЕХ» оставляет за собой право на внесение изменений в данный документ. Содержание данного документа не может являться основой для юридических претензий

Артикул стр.

| | |
|------------|-----|
| 4,8×9,5SDX | 231 |
| 6,3×16S | 231 |
| 6,3×16S-SS | 231 |
| 6,3×25s | 231 |
| 6,3×25S-SS | 231 |
| 8×25S | 231 |
| 10×50D | 232 |
| 11042511 | 125 |
| 11042512 | 125 |
| 11042513 | 132 |
| 11043124 | 53 |
| 418700074 | 75 |
| 418700075 | 75 |
| 418700076 | 75 |
| 418700077 | 75 |
| 418700078 | 75 |
| 418700079 | 75 |
| 418700080 | 75 |
| 418700081 | 75 |
| 418700082 | 75 |
| 418700083 | 75 |
| 418700084 | 75 |
| 418700085 | 75 |
| 418700086 | 75 |
| 418700195 | 75 |
| AC-1 | 183 |
| AC-5/4 | 183 |
| B133 | 155 |
| B134 | 154 |
| B180SL | 159 |
| B180SR | 159 |
| B0300 | 163 |
| B802 | 164 |
| B-1015 | 68 |
| B-1015 | 68 |
| B-3501 | 164 |
| BB0401 | 205 |
| BR0400 | 205 |
| BS11 | 97 |
| BSB0302 | 170 |
| C2×0,5 | 123 |
| C-9/57 | 76 |
| C-10/58 | 75 |
| C-36/41 | 126 |
| C-36/41M | 126 |
| C0502G | 221 |
| C1010 | 49 |
| C1011 | 49 |
| CD010N | 193 |
| CD011V | 196 |
| CD012N | 193 |
| CD018N | 193 |
| CD018V | 196 |
| CD018V-5/4 | 196 |
| CD032N | 194 |
| CD032N-5/4 | 194 |
| CD054H | 194 |
| CD120H | 195 |
| CD164H | 195 |
| CD164H-5/4 | 195 |
| CH0501 | 221 |
| CH-5013 | 221 |
| CP113-80 | 157 |
| CP113-100 | 157 |
| CP113-120 | 157 |
| CP113-130 | 157 |
| CP113-150 | 157 |
| CP113-180 | 157 |

Артикул стр.

| | |
|-----------------|-----|
| CP-133 | 158 |
| CP0506 | 218 |
| CP813-100 | 157 |
| CP813-120 | 157 |
| CP813-150 | 157 |
| CP813-180 | 157 |
| CP861 | 158 |
| CP861S | 158 |
| CP864 | 158 |
| CR-3-250 | 178 |
| CR-3-250-P | 197 |
| CR-3-250-SS | 197 |
| CR-4-250-P | 197 |
| CR-4-250-SS | 197 |
| CR-5-250-P | 197 |
| CR-5-250-SS | 197 |
| CR-6-250 | 197 |
| CR-6-250-SS | 197 |
| CRS1-3 | 198 |
| CRS1-4 | 198 |
| CRS1-5 | 198 |
| CRS1-6 | 198 |
| CRS2-3 | 178 |
| CRS2-3 | 198 |
| CRS2-4 | 198 |
| CRS2-5 | 198 |
| CRS2-6 | 198 |
| CRT-3 | 178 |
| CRT-3 | 198 |
| CRT-5 | 198 |
| CRT-6 | 198 |
| CT0.05-425-2625 | 36 |
| CT0.05-425-3025 | 36 |
| CT0.05-425-3525 | 36 |
| CT0.05-425-4025 | 36 |
| CT0.05-425-4526 | 36 |
| CT0.05-425-5040 | 36 |
| CT0.05-450-2625 | 37 |
| CT0.05-450-3025 | 37 |
| CT0.05-450-3525 | 37 |
| CT0.05-450-4025 | 37 |
| CT0.05-450-4526 | 37 |
| CT0.05-450-5040 | 37 |
| CT0.05-475-2625 | 37 |
| CT0.05-475-3025 | 37 |
| CT0.05-475-3525 | 37 |
| CT0.05-475-4025 | 37 |
| CT0.05-475-4526 | 37 |
| CT0.05-475-5040 | 37 |
| CT0.05-500-2625 | 38 |
| CT0.05-500-3025 | 38 |
| CT0.05-500-3525 | 38 |
| CT0.05-500-4025 | 38 |
| CT0.05-500-4526 | 38 |
| CT0.05-500-5040 | 38 |
| CT0.05-525-2625 | 38 |
| CT0.05-525-3025 | 38 |
| CT0.05-525-3525 | 38 |
| CT0.05-525-4025 | 38 |
| CT0.05-525-4526 | 38 |
| CT0.05-525-5040 | 38 |
| CT0.06-425-3025 | 36 |
| CT0.06-425-3525 | 36 |
| CT0.06-425-4025 | 36 |
| CT0.06-425-4526 | 36 |
| CT0.06-425-5040 | 36 |
| CT0.06-450-3025 | 37 |
| CT0.06-450-3525 | 37 |

Артикул стр.

| | |
|-----------------|----|
| CT0.06-450-4025 | 37 |
| CT0.06-450-4526 | 37 |
| CT0.06-450-5040 | 37 |
| CT0.06-475-3025 | 37 |
| CT0.06-475-3525 | 37 |
| CT0.06-475-4025 | 37 |
| CT0.06-475-4526 | 37 |
| CT0.06-475-5040 | 37 |
| CT0.06-500-3025 | 38 |
| CT0.06-500-3525 | 38 |
| CT0.06-500-4025 | 38 |
| CT0.06-500-4526 | 38 |
| CT0.06-500-5040 | 38 |
| CT0.06-525-3025 | 38 |
| CT0.06-525-3525 | 38 |
| CT0.06-525-4025 | 38 |
| CT0.06-525-4526 | 38 |
| CT0.06-525-5040 | 38 |
| CT1.01-425-2625 | 34 |
| CT1.01-425-3025 | 34 |
| CT1.01-425-3525 | 34 |
| CT1.01-425-4025 | 34 |
| CT1.01-425-4526 | 34 |
| CT1.01-425-5040 | 34 |
| CT1.01-450-2625 | 34 |
| CT1.01-450-3025 | 34 |
| CT1.01-450-3525 | 34 |
| CT1.01-450-4025 | 34 |
| CT1.01-450-4526 | 34 |
| CT1.01-450-5040 | 34 |
| CT1.01-475-2625 | 35 |
| CT1.01-475-3025 | 35 |
| CT1.01-475-3525 | 35 |
| CT1.01-475-4025 | 35 |
| CT1.01-475-4526 | 35 |
| CT1.01-475-5040 | 35 |
| CT1.01-500-2625 | 35 |
| CT1.01-500-3025 | 35 |
| CT1.01-500-3525 | 35 |
| CT1.01-500-4025 | 35 |
| CT1.01-500-4526 | 35 |
| CT1.01-500-5040 | 35 |
| CT1.01-525-2625 | 36 |
| CT1.01-525-3025 | 36 |
| CT1.01-525-3525 | 36 |
| CT1.01-525-4025 | 36 |
| CT1.01-525-4526 | 36 |
| CT1.01-525-5040 | 36 |
| CT1.02-425-3025 | 34 |
| CT1.02-425-3525 | 34 |
| CT1.02-425-4025 | 34 |
| CT1.02-425-4526 | 34 |
| CT1.02-425-5040 | 34 |
| CT1.02-450-3025 | 34 |
| CT1.02-450-3525 | 34 |
| CT1.02-450-4025 | 34 |
| CT1.02-450-4526 | 34 |
| CT1.02-450-5040 | 34 |
| CT1.02-475-3025 | 35 |
| CT1.02-475-3525 | 35 |
| CT1.02-475-4025 | 35 |
| CT1.02-475-4526 | 35 |
| CT1.02-475-5040 | 35 |
| CT1.02-500-3025 | 35 |
| CT1.02-500-3525 | 35 |
| CT1.02-500-4025 | 35 |
| CT1.02-500-4526 | 35 |
| CT1.02-500-5040 | 35 |

Артикул..... стр.

| | |
|-----------------|-----|
| CT1.02-525-3025 | 36 |
| CT1.02-525-3525 | 36 |
| CT1.02-525-4025 | 36 |
| CT1.02-525-4526 | 36 |
| CT1.02-525-5040 | 36 |
| CB132-450 | 153 |
| CB132-500 | 153 |
| DH-4015 | 191 |
| DIC043BR | 77 |
| DIC043WH | 77 |
| DIS043BR-3 | 77 |
| DIS043BR-4 | 77 |
| DIS043WH-3 | 77 |
| DIS043WH-4 | 77 |
| DP0207 | 122 |
| DP2010 | 122 |
| DP2027 | 122 |
| DR-11-05 | 217 |
| DR-11-07 | 217 |
| DR-11-10 | 217 |
| DR-12-05 | 217 |
| DR-12-07 | 217 |
| DR-12-10 | 217 |
| EC-45.425L | 40 |
| EC-45.425R | 40 |
| EC-45.450DL | 40 |
| EC-45.450DR | 40 |
| EC-45.450L | 40 |
| EC-45.450R | 40 |
| EC-45.475L | 40 |
| EC-45.475R | 40 |
| EC-45.500DL | 40 |
| EC-45.500DR | 40 |
| EC-45.500L | 40 |
| EC-45.500R | 40 |
| EC-45.525L | 40 |
| EC-45.525R | 40 |
| EC-45.625DL | 40 |
| EC-45.625DR | 40 |
| EC-45.625L | 40 |
| EC-45.625R | 40 |
| FLGU.400.1008 | 132 |
| FLGU.400.1009 | 132 |
| FPB5007 | 65 |
| FPB5010 | 66 |
| FPB-5012 | 66 |
| FPP5008 | 66 |
| FRK07 | 48 |
| FWO100/145B | 223 |
| FWO100C | 225 |
| FWO100F | 224 |
| FWO100H | 225 |
| FWO145C | 225 |
| FWO145F | 224 |
| FWO145H | 225 |
| GG-58 | 49 |
| GLG-1 | 239 |
| GLG-2 | 239 |
| GLG-3 | 236 |
| GLG-4 | 236 |
| GLG-5 | 262 |
| GLG-6 | 262 |
| GLG-7 | 256 |
| GLG-8 | 263 |
| GLG-9 | 263 |
| GLG-10 | 257 |
| GSH-1 | 295 |
| GSH-2 | 295 |
| GSH-3 | 295 |

Артикул..... стр.

| | |
|---------------|-----|
| GSH-4 | 296 |
| GSH-5 | 296 |
| GSH-6 | 296 |
| GSH-7 | 296 |
| GSH-8 | 296 |
| GSH-9 | 296 |
| GSH-10 | 296 |
| GSH-12 | 298 |
| GSH-13 | 298 |
| GSH-14 | 298 |
| GSH-15 | 298 |
| GSH-16 | 298 |
| GSH-17 | 297 |
| GSH-18 | 297 |
| GSH-19 | 299 |
| GSH-20 | 299 |
| GSH-21 | 299 |
| GSH-22 | 299 |
| GSH-23 | 299 |
| GSH-24 | 299 |
| GSH-25 | 299 |
| GSH-27 | 297 |
| GSH-28 | 297 |
| GSH-29 | 295 |
| GTS-1 | 279 |
| HG008 | 71 |
| HGI007 | 71 |
| HGI009 | 70 |
| HGI009.002.01 | 70 |
| HGI009.002.02 | 70 |
| HGI009.002.03 | 70 |
| HGI009.002.04 | 70 |
| HGI009.002.09 | 70 |
| HGI009.002.10 | 70 |
| HGI009.002.12 | 70 |
| HGI009.002.15 | 70 |
| HGI009.002.16 | 70 |
| HGI009.002.17 | 70 |
| HGI009.002.18 | 70 |
| HGI009.002.19 | 70 |
| HGI009.002.20 | 70 |
| HGI009.002.22 | 70 |
| HKG-4 | 281 |
| HKG-5 | 281 |
| HKG-6 | 292 |
| HKG-7 | 293 |
| HKG-8 | 293 |
| HKG-9 | 281 |
| HKG-10 | 281 |
| HKG-11 | 292 |
| HKG-12 | 293 |
| HKG-13 | 293 |
| HKG-15 | 292 |
| HKG-16 | 293 |
| HKG-17 | 293 |
| HKG-18 | 281 |
| HKG-19 | 281 |
| HKG-20 | 293 |
| HKG-21 | 293 |
| HKG-22 | 281 |
| HKG-23 | 281 |
| HKI-10 | 282 |
| HKI-11 | 282 |
| HKI-12 | 294 |
| HKI-13 | 294 |
| HKI-14 | 282 |
| HKI-15 | 282 |
| HKI-16 | 282 |
| HKI-17 | 282 |

Артикул..... стр.

| | |
|--------|-----|
| HKI-18 | 294 |
| HKI-19 | 294 |
| HKI-20 | 283 |
| HKI-21 | 283 |
| HKI-22 | 283 |
| HKI-23 | 283 |
| HKI-24 | 294 |
| HKI-25 | 294 |
| HKI-26 | 283 |
| HKI-27 | 283 |
| HKI-28 | 294 |
| HKI-29 | 294 |
| HKI-30 | 283 |
| HKI-31 | 283 |
| HKI-32 | 294 |
| HKI-33 | 294 |
| HKI-34 | 284 |
| HKI-35 | 284 |
| HKI-36 | 284 |
| HKI-37 | 284 |
| HKI-38 | 294 |
| HKI-39 | 294 |
| HKI-40 | 284 |
| HKI-41 | 284 |
| HKI-42 | 294 |
| HKI-43 | 294 |
| HKI-48 | 285 |
| HKI-49 | 285 |
| HKI-50 | 285 |
| HKI-51 | 285 |
| HKI-52 | 285 |
| HKI-53 | 285 |
| HKI-54 | 286 |
| HKI-55 | 286 |
| HKI-56 | 286 |
| HKI-57 | 286 |
| HKI-58 | 286 |
| HKI-59 | 286 |
| HKI-60 | 286 |
| HKI-61 | 286 |
| HKI-62 | 287 |
| HKI-63 | 287 |
| HKI-64 | 294 |
| HKI-65 | 294 |
| HKI-66 | 287 |
| HKI-67 | 287 |
| HKI-68 | 287 |
| HKI-69 | 287 |
| HKI-70 | 294 |
| HKI-71 | 294 |
| HKI-72 | 288 |
| HKI-73 | 288 |
| HKI-74 | 288 |
| HKI-75 | 288 |
| HKI-76 | 294 |
| HKI-77 | 294 |
| HKI-78 | 288 |
| HKI-79 | 288 |
| HKI-80 | 294 |
| HKI-81 | 294 |
| HKI-82 | 288 |
| HKI-83 | 288 |
| HKI-84 | 294 |
| HKI-85 | 294 |
| HKI-86 | 289 |
| HKI-87 | 289 |
| HKI-88 | 289 |
| HKI-89 | 289 |
| HKI-90 | 294 |

Артикул стр.

| | |
|-------------|-----|
| HKI-91 | 294 |
| HKI-92 | 289 |
| HKI-93 | 289 |
| HKI-94 | 294 |
| HKI-95 | 294 |
| HKI-100 | 294 |
| HKI-101 | 294 |
| HKI-102 | 294 |
| HKI-103 | 294 |
| HKI-104 | 294 |
| HKI-105 | 294 |
| HKI-106 | 294 |
| HKI-107 | 294 |
| HKI-108 | 290 |
| HKI-109 | 290 |
| HKI-110 | 290 |
| HKI-111 | 290 |
| HKI-112 | 290 |
| HKI-113 | 290 |
| HKI-114 | 291 |
| HKI-115 | 291 |
| HKI-116 | 291 |
| HKI-117 | 291 |
| HKI-118 | 291 |
| HKI-119 | 291 |
| HKU001 | 222 |
| I0500 | 218 |
| IB-86M | 201 |
| IB-111M | 201 |
| IB-127M | 201 |
| IB-152-5/4 | 201 |
| IB-152M | 201 |
| IB-4508 | 211 |
| IB-4509 | 211 |
| IBB-4501 | 200 |
| IBB-4502 | 200 |
| IBB-4510 | 201 |
| IH111 | 59 |
| IH113 | 58 |
| IH-114 | 59 |
| IP-95-3800 | 190 |
| IP-152-3400 | 190 |
| IS85-2550 | 143 |
| IS85-3060 | 143 |
| IS85-3550 | 143 |
| IS85-4100 | 143 |
| IS85-4580 | 143 |
| IS85-6000 | 143 |
| IS85-7000 | 143 |
| IS85-8000 | 143 |
| LH3004 | 171 |
| LP-3009H | 72 |
| LPA-1 | 264 |
| LPA-3 | 266 |
| LPA-5 | 268 |
| LPA-6 | 269 |
| LPA-7 | 270 |
| LPA-8 | 271 |
| LPA-15 | 264 |
| LPA-17 | 266 |
| LPA-19 | 268 |
| LPA-20 | 269 |
| LPA-21 | 270 |
| LPA-22 | 271 |
| LPA-27 | 258 |
| LPA-28 | 259 |
| LPA-29 | 260 |
| LPA-30 | 265 |

Артикул стр.

| | |
|-------------|-----|
| LPA-31 | 267 |
| LPA-32 | 272 |
| LPA-33 | 273 |
| LPA-34 | 274 |
| LPA-35 | 275 |
| LPA-36 | 276 |
| LPA-37 | 277 |
| LPA-38 | 278 |
| LPA-40 | 265 |
| LPA-41 | 267 |
| LPA-42 | 272 |
| LPA-43 | 273 |
| LPA-44 | 274 |
| LPA-45 | 275 |
| LPA-46 | 276 |
| LPA-47 | 277 |
| LPA-48 | 278 |
| LPF-1 | 236 |
| LPF-2 | 237 |
| LPF-3 | 237 |
| LPU-1 | 240 |
| LPU-3 | 241 |
| LPU-5 | 244 |
| LPU-6 | 245 |
| LPU-7 | 246 |
| LPU-8 | 247 |
| LPU-15 | 240 |
| LPU-17 | 241 |
| LPU-19 | 244 |
| LPU-20 | 245 |
| LPU-21 | 246 |
| LPU-22 | 247 |
| LPU-27 | 236 |
| LPU-28 | 237 |
| LPU-29 | 237 |
| LPU-30 | 242 |
| LPU-31 | 243 |
| LPU-32 | 248 |
| LPU-34 | 249 |
| LPU-35 | 250 |
| LPU-36 | 251 |
| LPU-37 | 252 |
| LPU-38 | 253 |
| LPU-39 | 254 |
| LPU-40 | 242 |
| LPU-41 | 243 |
| LPU-42 | 248 |
| LPU-44 | 249 |
| LPU-45 | 250 |
| LPU-46 | 251 |
| LPU-47 | 252 |
| LPU-48 | 253 |
| LPU-49 | 254 |
| LS1016 | 64 |
| M5×22SDX | 232 |
| M6×12BKL | 230 |
| M6×12BKL-SS | 230 |
| M6×12BP | 229 |
| M6×16BKL | 230 |
| M6×16BKL-SS | 230 |
| M6×16BP | 229 |
| M6N | 230 |
| M6N-SS | 230 |
| M8×12B | 229 |
| M8×16BKL | 229 |
| M8×16BKL-SS | 229 |
| M8×25BKL | 230 |
| M8×25BKL-SS | 230 |

Артикул стр.

| | |
|-------------|-----|
| M8N | 230 |
| M8N-SS | 230 |
| M10×55SCOL | 232 |
| M10×130B | 229 |
| M10N | 231 |
| MS-550N | 160 |
| MV350Rs-W | 83 |
| MV350s-B | 83 |
| MV350s-W | 83 |
| MW1.01-500 | 28 |
| MW1.01-625 | 28 |
| MW1.02-500 | 28 |
| MW1.02-625 | 28 |
| MW1.03-500 | 28 |
| MW1.03-625 | 28 |
| MW1.04-500 | 28 |
| MW1.04-625 | 28 |
| MW1.09-500 | 28 |
| MW1.09-625 | 28 |
| MW1.10-500 | 28 |
| MW1.10-625 | 28 |
| MW1.12-500 | 28 |
| MW1.12-625 | 28 |
| MW1.14-500 | 28 |
| MW1.14-625 | 28 |
| MW1.16-500 | 28 |
| MW1.16-625 | 28 |
| MW1.20-500 | 28 |
| MW1.20-625 | 28 |
| OSS4013 | 162 |
| P19L | 68 |
| P19R | 68 |
| P1012 | 82 |
| P-1501 | 81 |
| P-1502 | 81 |
| PB-3007IL | 199 |
| PB-3007IR | 199 |
| PB-3008GL | 199 |
| PB-3008GR | 199 |
| PC-4016 | 180 |
| PED2016 | 127 |
| PED2017 | 127 |
| PED2018 | 128 |
| PED2019 | 128 |
| PED2020 | 128 |
| PED2025L | 128 |
| PED2025R | 128 |
| PED-2039 | 129 |
| PED-2040L | 130 |
| PED-2040R | 130 |
| PED-2041-PC | 129 |
| PED-2041-RC | 129 |
| PED-2042 | 130 |
| PED-2043 | 131 |
| PED-2044-PC | 131 |
| PED-2044-RC | 131 |
| PED-2045 | 132 |
| PRO503 | 221 |
| PRD13 | 119 |
| PRD19S | 65 |
| PRD19S-6000 | 65 |
| PRD40 | 45 |
| PRD41 | 46 |
| PRD42 | 44 |
| PRD43 | 44 |
| PRD44 | 43 |
| PRD45 | 43 |
| PRD46 | 47 |

Артикул стр.

| | |
|---------------|-----|
| PRD48 | 48 |
| PRD50 | 46 |
| PRD51 | 46 |
| PRD52 | 45 |
| PRD53 | 45 |
| PRD54 | 43 |
| PRD55 | 44 |
| PRD56 | 47 |
| PRD70 | 108 |
| PRD71 | 107 |
| PRD71 | 107 |
| PRD91 | 47 |
| PRG01 | 141 |
| PRG01LFL | 141 |
| PRG01LFR | 141 |
| PRG01LL | 141 |
| PRG01LR | 141 |
| PRG02H | 140 |
| PRG02LL | 140 |
| PRG02LR | 140 |
| PRG02NL | 138 |
| PRG02NR | 138 |
| PRG02SL | 139 |
| PRG02SR | 139 |
| PRG03 | 145 |
| PRG04 | 144 |
| PRG04S | 144 |
| PRG05S | 142 |
| PRG06 | 169 |
| PRG07 | 151 |
| PRG07N | 150 |
| PRG07NS | 150 |
| PRG09 | 169 |
| PRG-11 | 63 |
| PRG-12 | 118 |
| PRG-13 | 118 |
| PRG-14 | 62 |
| PRG-15 | 62 |
| PRG-16 | 120 |
| PRG-17 | 120 |
| PRG-19 | 67 |
| PRG-20 | 67 |
| PRG32LL | 140 |
| PRG32LR | 140 |
| PRG32NL | 138 |
| PRG32NR | 138 |
| PRG-33-5700 | 151 |
| PRG110-8020 | 68 |
| R-130-11-G | 60 |
| R-130-11-GG | 60 |
| R-130-11-SS | 60 |
| R-130-12-G | 60 |
| R-130-12-SS | 60 |
| R-130-12-SS-P | 60 |
| R-205-12-G | 61 |
| R-205-12-GG | 61 |
| R-205-12-SS | 61 |
| R-205-12-SS-P | 61 |
| RBG100L | 54 |
| RBG100L-SS | 54 |
| RBG100R | 54 |
| RBG100R-SS | 54 |
| RBG-150TNL | 54 |
| RBG-150TNR | 54 |
| RBG900L | 50 |
| RBG900L-SS | 50 |
| RBG900R | 50 |
| RBG900R-SS | 50 |
| RBG-900TNL | 51 |

Артикул стр.

| | |
|--------------|-----|
| RBG-900TNR | 51 |
| RBI-45.100L | 56 |
| RBI-45.100R | 56 |
| RBI-45.110DL | 55 |
| RBI-45.110DR | 55 |
| RBI-45.120DL | 56 |
| RBI-45.120DR | 56 |
| RBI-45.127 | 50 |
| RBI123 | 52 |
| RBI446L | 55 |
| RBI446ML | 56 |
| RBI446MR | 56 |
| RBI446R | 55 |
| RBP-700L-SS | 52 |
| RBP-700R-SS | 52 |
| RC0505 | 222 |
| RE101FL-5 | 147 |
| RE101FL-10 | 147 |
| RE101FL-15 | 147 |
| RE101FL-20 | 147 |
| RE101FL-25 | 147 |
| RE101FL-30 | 147 |
| RE101FL-35 | 147 |
| RE101FL-40 | 147 |
| RE101FL-45 | 147 |
| RE101FR-5 | 147 |
| RE101FR-10 | 147 |
| RE101FR-15 | 147 |
| RE101FR-20 | 147 |
| RE101FR-25 | 147 |
| RE101FR-30 | 147 |
| RE101FR-35 | 147 |
| RE101FR-40 | 147 |
| RE101FR-45 | 147 |
| RE101L | 147 |
| RE101R | 147 |
| RE701HL | 146 |
| RE701HR | 146 |
| RE801L | 146 |
| RE801R | 146 |
| RE801SL | 146 |
| RE801SR | 146 |
| RK-4500 | 73 |
| RK-6000 | 73 |
| RL0.01-450 | 32 |
| RL0.01-500 | 32 |
| RL0.05-450 | 32 |
| RL0.05-500 | 32 |
| RL0.06-450 | 32 |
| RL0.06-500 | 32 |
| RL0.07-450 | 32 |
| RL0.07-500 | 32 |
| RL0.14-450 | 32 |
| RL0.14-500 | 32 |
| RL0.16-450 | 32 |
| RL0.16-500 | 32 |
| RL0.24-450 | 32 |
| RL0.24-500 | 32 |
| RL1.01-450 | 32 |
| RL1.01-500 | 32 |
| RL1.02-450 | 32 |
| RL1.02-500 | 32 |
| RLG004-01P | 74 |
| RLG004-02P | 74 |
| RLI0103 | 76 |
| RM0.01-450 | 31 |
| RM0.01-500 | 31 |
| RM0.05-450 | 31 |
| RM0.05-500 | 31 |

Артикул стр.

| | |
|-------------|-----|
| RM0.06-450 | 31 |
| RM0.06-500 | 31 |
| RM0.07-450 | 31 |
| RM0.07-500 | 31 |
| RM0.16-450 | 31 |
| RM0.16-500 | 31 |
| RM0.24-450 | 31 |
| RM0.24-500 | 31 |
| RM1.01-450 | 31 |
| RM1.01-500 | 31 |
| RM1.02-450 | 31 |
| RM1.02-500 | 31 |
| RM0104-4500 | 73 |
| RP112 | 57 |
| RP113 | 57 |
| RP121 | 58 |
| RP122 | 58 |
| RS0.05-500 | 30 |
| RS0.05-625 | 30 |
| RS0.06-500 | 30 |
| RS0.06-625 | 30 |
| RS0.07-500 | 30 |
| RS0.07-625 | 30 |
| RS1.01-500 | 29 |
| RS1.01-625 | 29 |
| RS1.02-500 | 29 |
| RS1.02-625 | 29 |
| RS1.03-500 | 29 |
| RS1.03-625 | 29 |
| RS1.04-500 | 29 |
| RS1.04-625 | 29 |
| RS1.09-500 | 29 |
| RS1.09-625 | 29 |
| RS1.10-500 | 29 |
| RS1.10-625 | 29 |
| RS1.12-500 | 29 |
| RS1.12-625 | 29 |
| RS1.14-500 | 29 |
| RS1.14-625 | 29 |
| RS1.16-500 | 29 |
| RS1.16-625 | 29 |
| RS1.20-500 | 29 |
| RS1.20-625 | 29 |
| RS0301 | 171 |
| RSB09 | 108 |
| RSB20 | 69 |
| RSP16 | 39 |
| RSP25 | 48 |
| RST01 | 69 |
| RSW06 | 109 |
| S140LFL-5 | 149 |
| S140LFL-10 | 149 |
| S140LFL-15 | 149 |
| S140LFL-20 | 149 |
| S140LFL-25 | 149 |
| S140LFL-30 | 149 |
| S140LFL-35 | 149 |
| S140LFL-40 | 149 |
| S140LFL-45 | 149 |
| S140LFR-5 | 149 |
| S140LFR-10 | 149 |
| S140LFR-15 | 149 |
| S140LFR-20 | 149 |
| S140LFR-25 | 149 |
| S140LFR-30 | 149 |
| S140LFR-35 | 149 |
| S140LFR-40 | 149 |
| S140LFR-45 | 149 |
| S140LL | 149 |

Артикул стр.

| | |
|---------------|-----|
| S140LR | 149 |
| S-160LNL | 149 |
| S-160LNR | 149 |
| S-171L | 152 |
| S-171R | 152 |
| S-172L | 152 |
| S-172R | 152 |
| S340NL | 148 |
| S340NR | 148 |
| S0504 | 222 |
| S840NL | 148 |
| S840NR | 148 |
| S940LL | 148 |
| S940LR | 148 |
| S940SL | 148 |
| S940SR | 148 |
| SA-5/4 | 183 |
| SB0100 | 72 |
| SB0101S | 72 |
| SB212S | 177 |
| SB-235 | 170 |
| SB-485 | 170 |
| SBD-86L | 192 |
| SBD-86R | 192 |
| SBD-111L | 192 |
| SBD-111R | 192 |
| SBD-127L | 192 |
| SBD-127R | 192 |
| SBD-152L | 192 |
| SBD-152R | 192 |
| SBD-TL | 192 |
| SBD-TR | 192 |
| SBD-TSS5/4L | 192 |
| SBD-TSS5/4R | 192 |
| SCG-1 | 213 |
| SCI-1 | 213 |
| SCI-5/4 | 213 |
| SF-51 | 189 |
| SF-67 | 189 |
| SF-95 | 189 |
| SF-152L | 190 |
| SF-152L-5/4 | 190 |
| SF-152R | 190 |
| SF-152R-5/4 | 190 |
| SH221S | 177 |
| SKH-38 | 212 |
| SKH-75 | 212 |
| SKS-38 | 212 |
| SKS-75 | 212 |
| SP203S | 176 |
| SS-40.100 | 220 |
| SS0206 | 123 |
| SS0402 | 219 |
| SS446L | 220 |
| SS446R | 220 |
| SXR 10x60 FUS | 232 |
| T-100-6000 | 156 |
| TB006 | 168 |
| TB007 | 168 |
| TB191S-300 | 165 |
| TB191S-500 | 165 |
| TB191S-800 | 165 |
| TB191S-1000 | 165 |
| TB192S | 165 |
| TB193S-330 | 165 |
| TB193S-680 | 165 |
| TB193S-910 | 165 |
| TB603 | 166 |
| TB604 | 167 |

Артикул стр.

| | |
|---------------------|-----|
| TB607-300 | 166 |
| TB607-500 | 166 |
| TB607-800 | 166 |
| TB607-1000 | 166 |
| TB607-1500 | 166 |
| TBB-4505 | 200 |
| TBG816L | 208 |
| TBG816R | 208 |
| TBI510ML | 206 |
| TBI510MR | 206 |
| TBI520ML | 206 |
| TBI520MR | 206 |
| TBI530ML | 206 |
| TBI530MR | 206 |
| TBI540ML | 206 |
| TBI540MR | 206 |
| TBI550ML | 206 |
| TBI550MR | 206 |
| TBI560ML | 206 |
| TBI560MR | 206 |
| TBI570ML | 206 |
| TBI570MR | 206 |
| TBI580L | 206 |
| TBI580R | 206 |
| TBI590L | 206 |
| TBI590R | 206 |
| TBI-600L | 207 |
| TBI-600R | 207 |
| TBI-610L | 207 |
| TBI-610R | 207 |
| TBI-630L | 207 |
| TBI-630R | 207 |
| TBI-640L | 207 |
| TBI-640R | 207 |
| TBI915 | 209 |
| TBI922 | 167 |
| TBI923 | 167 |
| TBI924 | 168 |
| TBI925 | 209 |
| TBP-916L | 210 |
| TBP-916R | 210 |
| TBT-4503 | 210 |
| TKU-1 | 279 |
| TKU-2 | 279 |
| TKU-3 | 279 |
| TKU-4 | 279 |
| TKU-5 | 279 |
| TKU-6 | 279 |
| TKU-7 | 279 |
| TKU-8 | 279 |
| TKU-9 | 279 |
| TKU-11 | 279 |
| TKU-13 | 280 |
| TKU-21 | 280 |
| TKU-22 | 280 |
| TKU-23 | 280 |
| TKU-24 | 280 |
| TKU-25 | 280 |
| TKU-26 | 280 |
| TKU-27 | 280 |
| TKU-28 | 280 |
| TKU-29 | 280 |
| TKU-30 | 280 |
| TKU-31 | 280 |
| TKU-32 | 280 |
| TN26 x 25VT x 2500R | 179 |
| TN26x33RDx2000R | 179 |
| TN28 x 25BR x 1250R | 179 |
| TN28x33BRx2000R | 179 |

Артикул стр.

| | |
|---------------------|-----|
| TN30 x 25WH x 1500R | 179 |
| TN30x33WHx2000R | 179 |
| TN32 x 25YL x 1120R | 179 |
| TN32 x 25YL x 1250R | 179 |
| TN32x33GRx1050R | 179 |
| TN34 x 25RD x 1550R | 179 |
| TN34x33BLx1100R | 179 |
| TN36x33ORx850R | 179 |
| TN36x33ORx1100R | 179 |
| TN38x33PNx900R | 179 |
| TN40x33GNx1250R | 179 |
| TN42x33BKx1170R | 179 |
| TN42x33BKx1350R | 179 |
| TN45x33VTx1510R | 179 |
| TP-550 | 160 |
| TSA42,5x51x1000L | 185 |
| TSA42,5x51x1000R | 185 |
| TSA45x51x1100L | 185 |
| TSA45x51x1100R | 185 |
| TSA47,5x51x1250L | 185 |
| TSA47,5x51x1250R | 185 |
| TSA50x51x1350L | 185 |
| TSA50x51x1350R | 185 |
| TSA52,5x51x1300L | 185 |
| TSA52,5x51x1300R | 185 |
| TSA55x51x1400L | 185 |
| TSA55x51x1400R | 185 |
| TSA55x67x1200L | 186 |
| TSA55x67x1200R | 186 |
| TSA57,5x51x1600L | 185 |
| TSA57,5x51x1600R | 185 |
| TSA57,5x67x1400L | 186 |
| TSA57,5x67x1400R | 186 |
| TSA60x51x1700L | 185 |
| TSA60x51x1700R | 185 |
| TSA60x67x1500L | 186 |
| TSA60x67x1500R | 186 |
| TSA62,5x51x1800L | 185 |
| TSA62,5x51x1800R | 185 |
| TSA62,5x67x1700L | 186 |
| TSA62,5x67x1700R | 186 |
| TSA65x51x1900L | 185 |
| TSA65x51x1900R | 185 |
| TSA65x67x1700L | 186 |
| TSA65x67x1700R | 186 |
| TSA65x95x1400L | 187 |
| TSA65x95x1400R | 187 |
| TSA70x51x1400L | 185 |
| TSA70x51x1400R | 185 |
| TSA70x51x2000L | 185 |
| TSA70x51x2000R | 185 |
| TSA70x67x1900L | 186 |
| TSA70x67x1900R | 186 |
| TSA70x95x1150L | 187 |
| TSA70x95x1150R | 187 |
| TSA70x95x1650L | 187 |
| TSA70x95x1650R | 187 |
| TSA75x67x2200L | 186 |
| TSA75x67x2200R | 186 |
| TSA75x95x1300L | 187 |
| TSA75x95x1300R | 187 |
| TSA75x95x1750L | 187 |
| TSA75x95x1750R | 187 |
| TSA75x152x1300L | 188 |
| TSA75x152x1300R | 188 |
| TSA80x95x1500L | 187 |
| TSA80x95x1500R | 187 |
| TSA80x95x2100L | 187 |
| TSA80x95x2100R | 187 |

Артикул..... стр.

| | |
|-----------------------|-----|
| TSA80×152×1500L..... | 188 |
| TSA80×152×1500R..... | 188 |
| TSA85×95×1250L..... | 187 |
| TSA85×95×1250R..... | 187 |
| TSA85×95×1600L..... | 187 |
| TSA85×95×1600R..... | 187 |
| TSA85×152×1250L..... | 188 |
| TSA85×152×1250R..... | 188 |
| TSA85×152×1750L..... | 188 |
| TSA85×152×1750R..... | 188 |
| TSA90×95×1400L..... | 187 |
| TSA90×95×1400R..... | 187 |
| TSA90×95×1500L..... | 187 |
| TSA90×95×1500R..... | 187 |
| TSA90×152×2100L..... | 188 |
| TSA90×152×2100R..... | 188 |
| TSA95×95×1600L..... | 187 |
| TSA95×95×1600R..... | 187 |
| TSA95×152×1300L..... | 188 |
| TSA95×152×1300R..... | 188 |
| TSA95×152×2250L..... | 188 |
| TSA95×152×2250R..... | 188 |
| TSA100×152×1400L..... | 188 |
| TSA100×152×1400R..... | 188 |
| TSA100×152×2450L..... | 188 |
| TSA100×152×2450R..... | 188 |
| TSA105×152×1400L..... | 188 |
| TSA105×152×1400R..... | 188 |
| TSA105×152×1800L..... | 188 |
| TSA105×152×1800R..... | 188 |
| TSA110×152×1550L..... | 188 |
| TSA110×152×1550R..... | 188 |
| TSA110×152×1800L..... | 188 |
| TSA110×152×1800R..... | 188 |
| TSA115×152×1800L..... | 188 |
| TSA115×152×1800R..... | 188 |
| TSH-2750-2..... | 182 |
| TSH-3000-2..... | 182 |
| TSH-4500..... | 182 |
| TSH-4500-2..... | 182 |
| TSH-5500..... | 182 |
| TSH-5500-2..... | 182 |
| TSH-6000-2..... | 182 |
| TSS-5/4-3800..... | 182 |
| TSS-5/4-5800..... | 182 |
| TSS-5/4-6000..... | 182 |
| TSS4004..... | 202 |
| TSS4005..... | 203 |
| TSS4006..... | 203 |
| TSS4007..... | 203 |
| TSS4008..... | 204 |
| TSS4009..... | 204 |
| TSS4012..... | 161 |
| TSS4013..... | 162 |
| TSS4014..... | 162 |
| TSS-4500..... | 182 |
| TSS-5000..... | 182 |
| US230S..... | 176 |
| VG-368BK..... | 83 |
| VG-368RBK..... | 83 |
| VG-368RWH..... | 83 |
| VG-368WH..... | 83 |
| W043-BR..... | 79 |
| W043-CG..... | 79 |
| W043-TG..... | 79 |
| W043-WH..... | 79 |
| W046..... | 78 |
| W050-BR..... | 80 |
| W050-CG..... | 79 |

Артикул..... стр.

| | |
|-----------------|-----|
| W050-TG..... | 79 |
| W050-WH..... | 80 |
| W060-BR..... | 80 |
| W060-CG..... | 80 |
| W060-TG..... | 80 |
| W060-WH..... | 80 |
| W085..... | 78 |
| W095..... | 78 |
| WD01L-BR..... | 111 |
| WD01L-GR..... | 111 |
| WD01R-BR..... | 111 |
| WD01R-GR..... | 111 |
| WD11L-BR..... | 110 |
| WD11L-GR..... | 110 |
| WD11R-BR..... | 110 |
| WD11R-GR..... | 110 |
| WD12P..... | 119 |
| WD13PL..... | 119 |
| WD13PR..... | 119 |
| WD16PL..... | 121 |
| WD16PR..... | 121 |
| WD17PL..... | 121 |
| WD17PR..... | 121 |
| WD21L-BR..... | 98 |
| WD21L-GR..... | 98 |
| WD21R-BR..... | 98 |
| WD21R-GR..... | 98 |
| WD22L-BR..... | 98 |
| WD22L-GR..... | 98 |
| WD22R-BR..... | 98 |
| WD22R-GR..... | 98 |
| WD32L-BR..... | 110 |
| WD32L-GR..... | 110 |
| WD32R-BR..... | 110 |
| WD32R-GR..... | 110 |
| WD100..... | 117 |
| WD151L.001..... | 115 |
| WD151L.001..... | 115 |
| WD151L.101..... | 106 |
| WD151L.101..... | 106 |
| WD151L.103..... | 107 |
| WD151L.103..... | 107 |
| WD151L.201..... | 95 |
| WD151L.201..... | 95 |
| WD151L.202..... | 94 |
| WD151L.202..... | 94 |
| WD151L.203..... | 96 |
| WD151L.203..... | 96 |
| WD151L.302..... | 105 |
| WD151L.302..... | 105 |
| WD151R.001..... | 115 |
| WD151R.001..... | 115 |
| WD151R.101..... | 106 |
| WD151R.101..... | 106 |
| WD151R.103..... | 107 |
| WD151R.103..... | 107 |
| WD151R.201..... | 95 |
| WD151R.201..... | 95 |
| WD151R.202..... | 94 |
| WD151R.202..... | 94 |
| WD151R.203..... | 96 |
| WD151R.203..... | 96 |
| WD151R.302..... | 105 |
| WD151R.302..... | 105 |
| WD152L.001..... | 115 |
| WD152L.001..... | 115 |
| WD152L.101..... | 106 |
| WD152L.101..... | 106 |
| WD152L.201..... | 105 |
| WD152L.201..... | 105 |

Артикул..... стр.

| | |
|------------------|-----|
| WD152L.201..... | 95 |
| WD152L.202..... | 94 |
| WD152L.202..... | 94 |
| WD152L.302..... | 105 |
| WD152L.302..... | 105 |
| WD152R.001..... | 115 |
| WD152R.001..... | 115 |
| WD152R.101..... | 106 |
| WD152R.101..... | 106 |
| WD152R.201..... | 95 |
| WD152R.201..... | 95 |
| WD152R.202..... | 94 |
| WD152R.202..... | 94 |
| WD152R.302..... | 105 |
| WD152R.302..... | 105 |
| WD-153L.001..... | 115 |
| WD-153L.001..... | 115 |
| WD-153L.101..... | 107 |
| WD-153L.101..... | 107 |
| WD-153L.201..... | 96 |
| WD-153L.201..... | 96 |
| WD-153L.202..... | 95 |
| WD-153L.202..... | 95 |
| WD-153L.203..... | 96 |
| WD-153L.203..... | 96 |
| WD-153L.302..... | 106 |
| WD-153L.302..... | 106 |
| WD-153R.001..... | 115 |
| WD-153R.001..... | 115 |
| WD-153R.101..... | 107 |
| WD-153R.101..... | 107 |
| WD-153R.201..... | 96 |
| WD-153R.201..... | 96 |
| WD-153R.202..... | 95 |
| WD-153R.202..... | 95 |
| WD-153R.203..... | 96 |
| WD-153R.203..... | 96 |
| WD-153R.302..... | 106 |
| WD-153R.302..... | 106 |
| WD161L.001..... | 115 |
| WD161L.001..... | 115 |
| WD161L.101..... | 106 |
| WD161L.101..... | 106 |
| WD161L.201..... | 95 |
| WD161L.201..... | 95 |
| WD161L.202..... | 94 |
| WD161L.202..... | 94 |
| WD161L.302..... | 105 |
| WD161L.302..... | 105 |
| WD161R.001..... | 115 |
| WD161R.001..... | 115 |
| WD161R.101..... | 106 |
| WD161R.101..... | 106 |
| WD161R.201..... | 95 |
| WD161R.201..... | 95 |
| WD161R.202..... | 94 |
| WD161R.202..... | 94 |
| WD161R.302..... | 105 |
| WD161R.302..... | 105 |
| WD162L.001..... | 115 |
| WD162L.001..... | 115 |
| WD162L.101..... | 106 |
| WD162L.101..... | 106 |
| WD162L.201..... | 95 |
| WD162L.201..... | 95 |
| WD162L.202..... | 94 |
| WD162L.202..... | 94 |
| WD162L.302..... | 105 |
| WD162L.302..... | 105 |

Артикул стр.

| | |
|------------------|-----|
| WD162R.001 | 115 |
| WD162R.001 | 115 |
| WD162R.101 | 106 |
| WD162R.101 | 106 |
| WD162R.201 | 95 |
| WD162R.201 | 95 |
| WD162R.202 | 94 |
| WD162R.202 | 94 |
| WD162R.302 | 105 |
| WD162R.302 | 105 |
| WD-163L.001 | 115 |
| WD-163L.001 | 115 |
| WD-163L.101 | 107 |
| WD-163L.101 | 107 |
| WD-163L.201 | 96 |
| WD-163L.201 | 96 |
| WD-163L.202 | 95 |
| WD-163L.202 | 95 |
| WD-163L.302 | 106 |
| WD-163L.302 | 106 |
| WD-163R.001 | 115 |
| WD-163R.001 | 115 |
| WD-163R.101 | 107 |
| WD-163R.101 | 107 |
| WD-163R.201 | 96 |
| WD-163R.201 | 96 |
| WD-163R.202 | 95 |
| WD-163R.202 | 95 |
| WD-163R.302 | 106 |
| WD-163R.302 | 106 |
| WD0210 | 124 |
| WD250L.101 | 105 |
| WD250L.101 | 105 |
| WD250L.201 | 94 |
| WD250L.201 | 94 |
| WD250L.202 | 92 |
| WD250L.202 | 92 |
| WD250L.202KfV | 92 |
| WD250L.202KfV | 92 |
| WD250L.202KfV-01 | 93 |
| WD250L.202KfV-01 | 93 |
| WD250L.302 | 103 |
| WD250L.302 | 103 |
| WD250L.302KfV | 103 |
| WD250L.302KfV | 103 |
| WD250LA.202 | 93 |
| WD250LA.202 | 93 |
| WD250LA.302 | 104 |
| WD250LA.302 | 104 |
| WD250R.001 | 114 |
| WD250R.001 | 114 |
| WD250R.101 | 105 |
| WD250R.101 | 105 |
| WD250R.201 | 94 |
| WD250R.201 | 94 |
| WD250R.202 | 92 |
| WD250R.202 | 92 |
| WD250R.202KfV | 92 |
| WD250R.202KfV | 92 |
| WD250R.202KfV-01 | 93 |
| WD250R.202KfV-01 | 93 |
| WD250R.302 | 103 |
| WD250R.302 | 103 |
| WD250R.302KfV | 103 |
| WD250R.302KfV | 103 |
| WD250RA.202 | 93 |
| WD250RA.202 | 93 |
| WD250RA.302 | 104 |
| WD250RA.302 | 104 |

Артикул стр.

| | |
|------------------|-----|
| WD260L.101 | 105 |
| WD260L.101 | 105 |
| WD260L.201 | 94 |
| WD260L.201 | 94 |
| WD260L.202 | 92 |
| WD260L.202 | 92 |
| WD260L.202KfV | 92 |
| WD260L.202KfV | 92 |
| WD260L.202KfV-01 | 93 |
| WD260L.202KfV-01 | 93 |
| WD260L.302 | 103 |
| WD260L.302 | 103 |
| WD260L.302KfV | 103 |
| WD260L.302KfV | 103 |
| WD260LA.202 | 93 |
| WD260LA.202 | 93 |
| WD260LA.302 | 104 |
| WD260LA.302 | 104 |
| WD260R.001 | 114 |
| WD260R.001 | 114 |
| WD260R.101 | 105 |
| WD260R.101 | 105 |
| WD260R.201 | 94 |
| WD260R.201 | 94 |
| WD260R.202 | 92 |
| WD260R.202 | 92 |
| WD260R.202KfV | 92 |
| WD260R.202KfV | 92 |
| WD260R.202KfV-01 | 93 |
| WD260R.202KfV-01 | 93 |
| WD260R.302 | 103 |
| WD260R.302 | 103 |
| WD260R.302KfV | 103 |
| WD260R.302KfV | 103 |
| WD260RA.202 | 93 |
| WD260RA.202 | 93 |
| WD260RA.302 | 104 |
| WD260RA.302 | 104 |
| WD350L.202 | 92 |
| WD350L.202 | 92 |
| WD350L.302 | 103 |
| WD350L.302 | 103 |
| WD350R.202 | 92 |
| WD350R.202 | 92 |
| WD350R.302 | 103 |
| WD350R.302 | 103 |
| WD350R.302 | 103 |
| WD360L.202 | 92 |
| WD360L.202 | 92 |
| WD360L.302 | 103 |
| WD360L.302 | 103 |
| WD360R.202 | 92 |
| WD360R.202 | 92 |
| WD360R.302 | 103 |
| WD360R.302 | 103 |
| WD403L.001 | 114 |
| WD403L.001 | 114 |
| WD403L.101 | 102 |
| WD403L.101 | 102 |
| WD403L.101 | 102 |
| WD403L.103 | 102 |
| WD403L.201 | 91 |
| WD403L.201 | 91 |
| WD403L.202 | 91 |
| WD403L.202 | 91 |
| WD403L.203 | 91 |
| WD403L.203 | 91 |
| WD403L.302 | 102 |
| WD403L.302 | 102 |
| WD403R.001 | 114 |

Артикул стр.

| | |
|------------|-----|
| WD403R.001 | 114 |
| WD403R.101 | 102 |
| WD403R.101 | 102 |
| WD403R.103 | 102 |
| WD403R.103 | 102 |
| WD403R.108 | 123 |
| WD403R.108 | 123 |
| WD403R.201 | 91 |
| WD403R.201 | 91 |
| WD403R.202 | 91 |
| WD403R.202 | 91 |
| WD403R.203 | 91 |
| WD403R.203 | 91 |
| WD403R.302 | 102 |
| WD403R.302 | 102 |
| WD404L.001 | 114 |
| WD404L.001 | 114 |
| WD404L.101 | 102 |
| WD404L.101 | 102 |
| WD404L.201 | 91 |
| WD404L.201 | 91 |
| WD404L.202 | 91 |
| WD404L.202 | 91 |
| WD404L.302 | 102 |
| WD404L.302 | 102 |
| WD404R.001 | 114 |
| WD404R.001 | 114 |
| WD404R.101 | 102 |
| WD404R.101 | 102 |
| WD404R.201 | 91 |
| WD404R.201 | 91 |
| WD404R.202 | 91 |
| WD404R.202 | 91 |
| WD404R.302 | 102 |
| WD404R.302 | 102 |
| WD2011 | 99 |
| WD2013N | 113 |
| WD2014 | 113 |
| WD2028 | 112 |
| WD2031 | 99 |
| WD2033 | 108 |
| WD2034L-BK | 108 |
| WD2034L-BR | 108 |
| WD2034L-GR | 108 |
| WD2034R-BK | 108 |
| WD2034R-BR | 108 |
| WD2034R-GR | 108 |
| WH013 | 116 |
| WL32 | 111 |
| WL0202-PC | 126 |
| WL0202-RC | 126 |
| WL2021-BK | 125 |
| WL2021-BR | 125 |
| WL2021-SL | 125 |
| WL2022-BK | 125 |
| WL2022-BR | 125 |
| WL2022-SL | 125 |

1

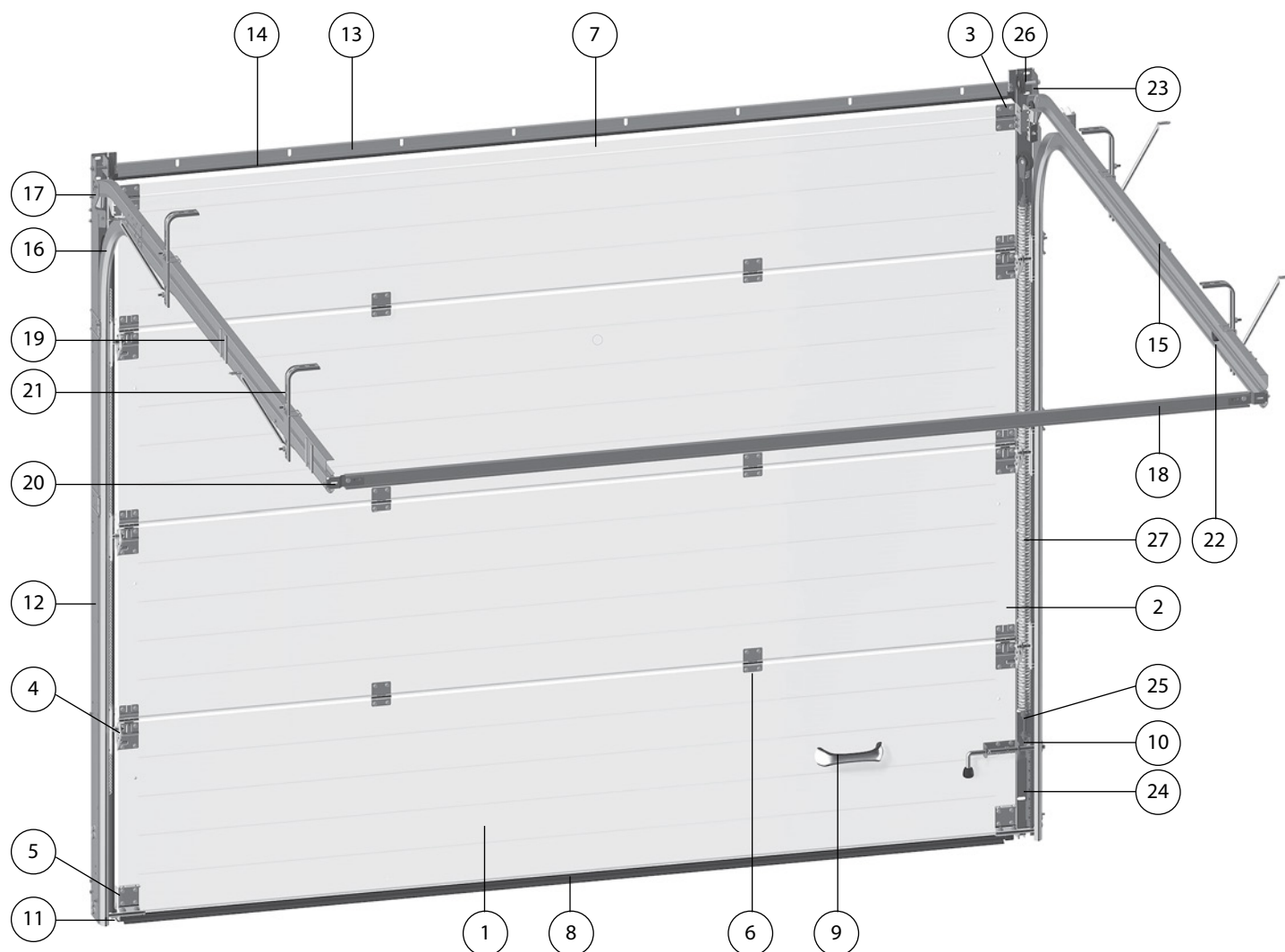
Секционные ворота серий Prestige и ProPlus

| | | |
|-----|--------------------------------------|-----|
| 1.1 | Конструкция секционных ворот | 13 |
| 1.2 | Полотно ворот | 23 |
| 1.3 | Встроенная калитка | 87 |
| 1.4 | Системы направляющих и подвеса | 133 |
| 1.5 | Система балансировки | 171 |

1.1

Конструкция секционных ворот

ГАРАЖНЫЕ ВОРОТА PRESTIGE С ПРУЖИНАМИ РАСТЯЖЕНИЯ

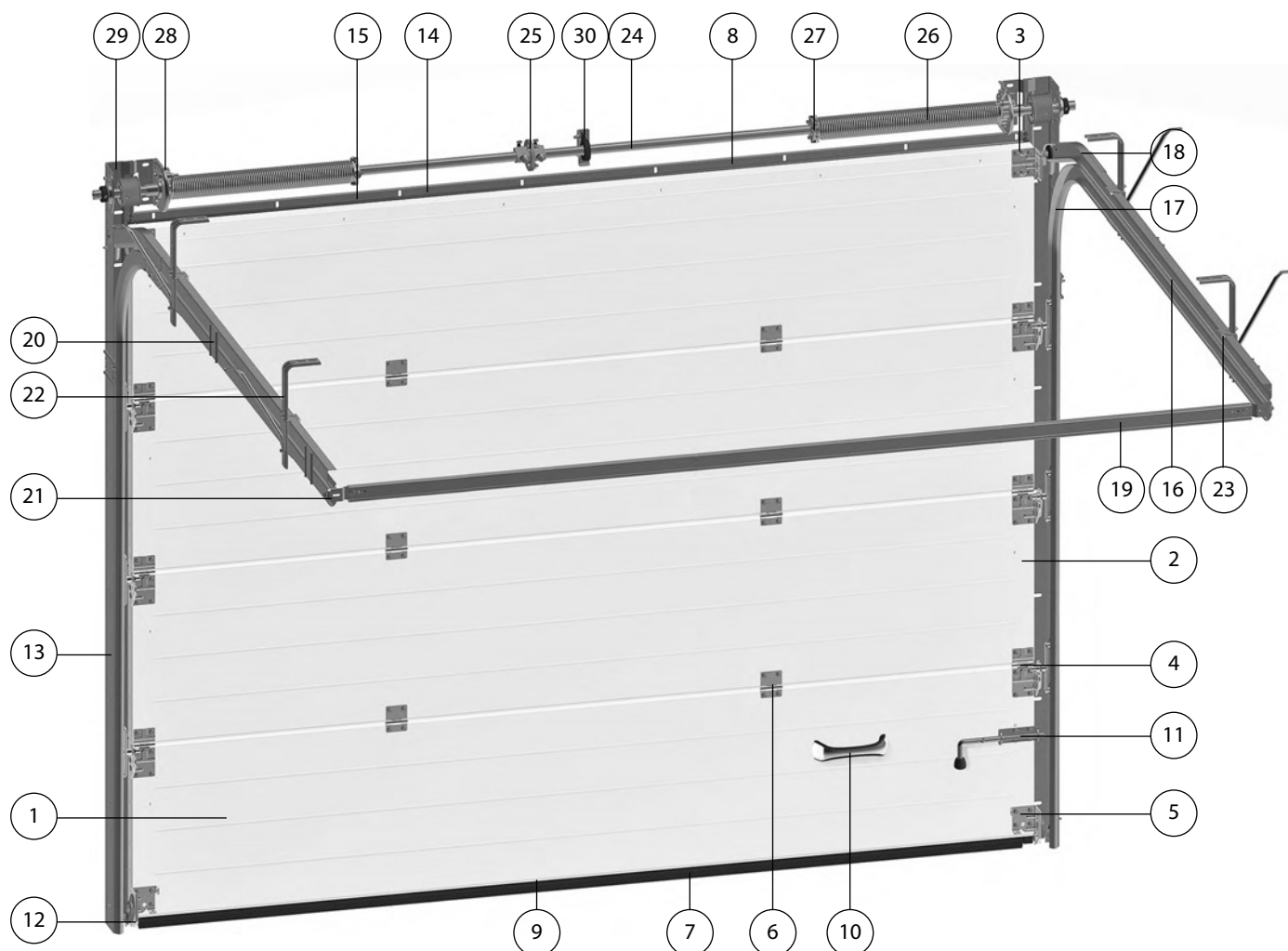


| № | Наименование | № | Наименование | № | Наименование |
|----------------------|---------------------------------|---------------------------------------|------------------------------|-----------------------------|-------------------------------|
| Полотно ворот | | Системы направляющих и подвеса | | Система балансировки | |
| 1 | Сэндвич-панель | 12 | Профиль угловой | 23 | Узел верхний |
| 2 | Накладка боковая | 13 | Профиль передний (нащельник) | 24 | Пластина |
| 3 | Кронштейн верхний | 14 | Вставка уплотнительная | 25 | Фиксатор |
| 4 | Кронштейн боковой | 15 | Профиль направляющий | 26 | Кронштейн |
| 5 | Кронштейн нижний | 16 | Элемент радиусный | 27 | Внутренняя и наружная пружина |
| 6 | Петля промежуточная | 17 | Узел направляющий передний | | |
| 7 | Профиль концевой (верхний) | 18 | С-профиль | | |
| 8 | Вставка уплотнительная (нижняя) | 19 | Пластины соединительные | | |
| 9 | Ручка | 20 | Кронштейн мерной планки | | |
| 10 | Засов | 21 | Телескопический подвес | | |
| 11 | Упор нижний | 22 | Ограничитель | | |

Секционные ворота «АЛЮТЕХ» соответствуют требованиям Европейских стандартов безопасности EN 12604 и EN 12453.

ГАРАЖНЫЕ ВОРОТА PRESTIGE С ТОРСИОННЫМИ ПРУЖИНАМИ

СТАНДАРТНЫЙ МОНТАЖ



№ Наименование

Полотно ворот

- 1 Сэндвич-панель
- 2 Накладка боковая
- 3 Кронштейн верхний
- 4 Кронштейн боковой
- 5 Кронштейн нижний
- 6 Петля промежуточная
- 7 Профиль концевой (нижний)
- 8 Профиль концевой (верхний)
- 9 Вставка уплотнительная (нижняя)
- 10 Ручка
- 11 Засов
- 12 Упор нижний

№ Наименование

Системы направляющих и подвеса

- 13 Профиль угловой
- 14 Профиль передний (нащельник)
- 15 Вставка уплотнительная
- 16 Профиль направляющий
- 17 Элемент радиусный
- 18 Узел направляющий передний
- 19 С-профиль
- 20 Пластины соединительные
- 21 Кронштейн мерной планки
- 22 Телескопический подвес
- 23 Ограничитель

№ Наименование

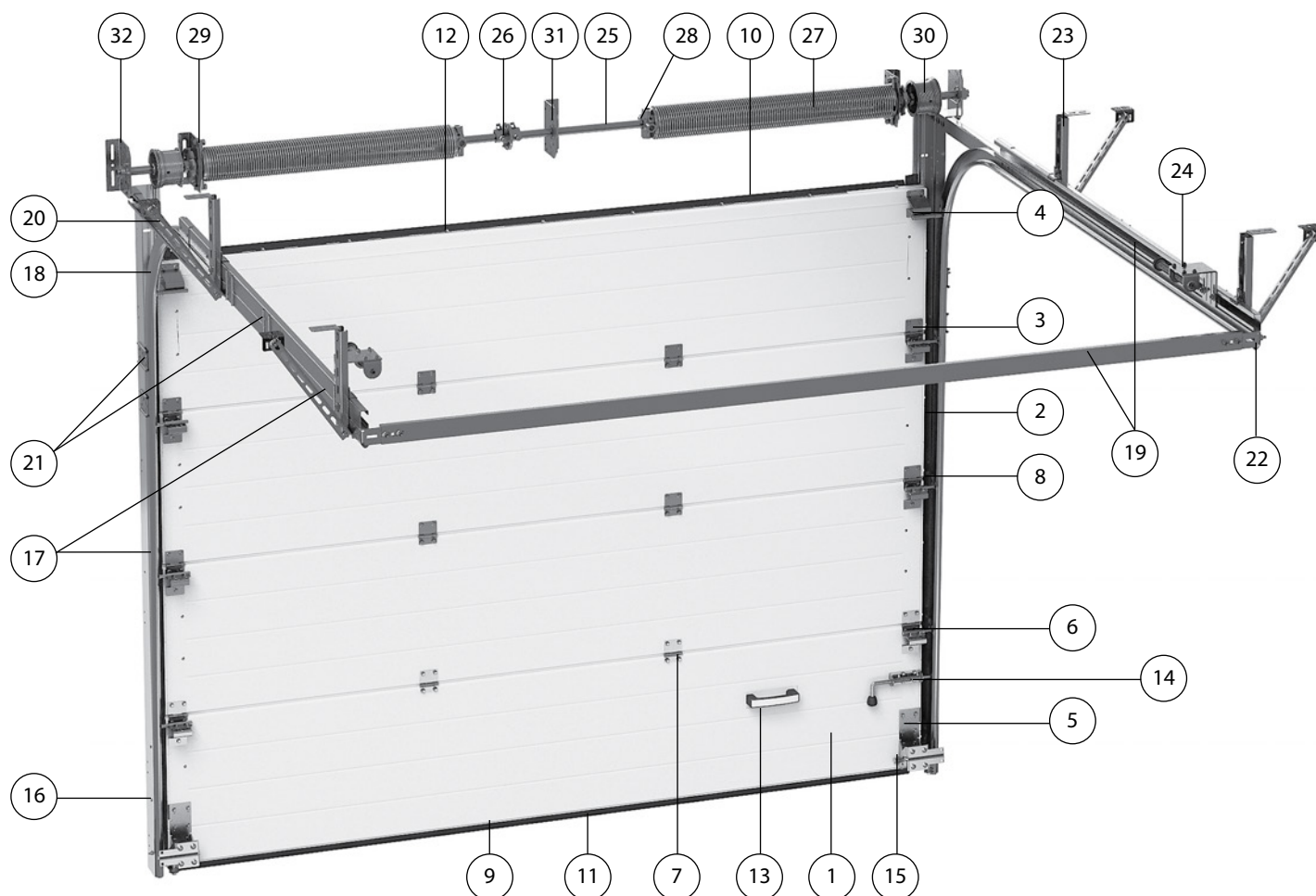
Торсионный вал

- 24 Вал
- 25 Муфта соединительная
- 26 Пружина
- 27 Наконечник пружинный
- 28 Муфта предохранительная храповая
- 29 Барабан
- 30 Кронштейн промежуточный

Секционные ворота «АЛЮТЕХ» соответствуют требованиям Европейских стандартов безопасности EN 12604 и EN 12453.

ПРОМЫШЛЕННЫЕ ВОРОТА PROPLUS

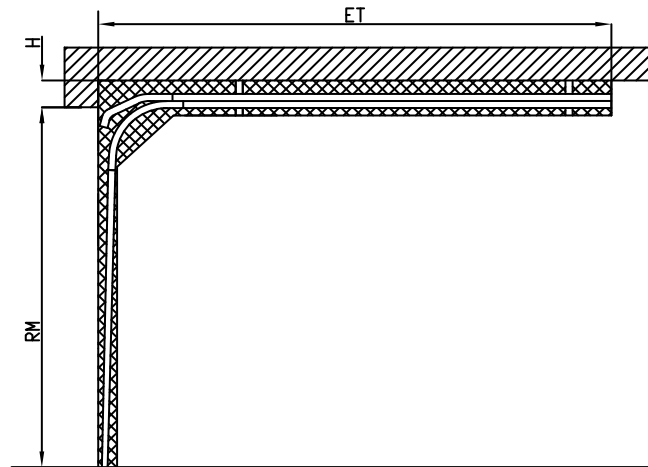
СТАНДАРТНЫЙ МОНТАЖ



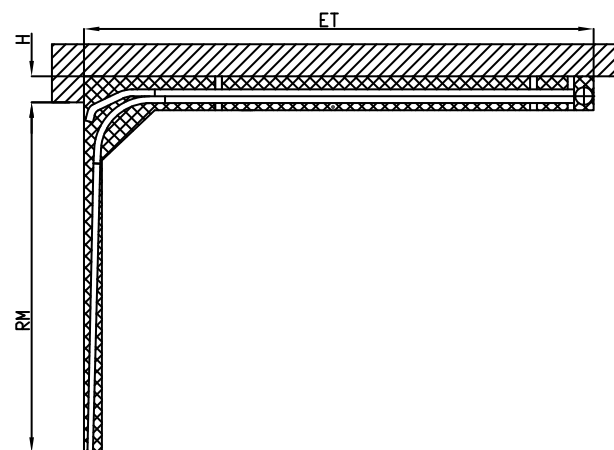
| № | Наименование | № | Наименование | № | Наименование |
|----|----------------------------------|----|---------------------------------------|----|----------------------------------|
| | Полотно ворот | | Системы направляющих и подвеса | | Торсионный вал |
| 1 | Сэндвич-панель | 16 | Профиль угловой | 25 | Вал |
| 2 | Накладка боковая | 17 | Профиль направляющий | 26 | Муфта соединительная |
| 3 | Кронштейн боковой | 18 | Элемент радиусный | 27 | Пружина |
| 4 | Кронштейн верхний | 19 | С-профиль | 28 | Наконечник пружинный |
| 5 | Кронштейн нижний | 20 | Узел передний | 29 | Муфта предохранительная храповая |
| 6 | Накладка роликовая | 21 | Пластины соединительные | 30 | Барабан |
| 7 | Петля промежуточная | 22 | Кронштейн мерной планки | 31 | Кронштейн промежуточный |
| 8 | Ролик ходовой | 23 | Телескопический подвес | 32 | Кронштейн боковой |
| 9 | Профиль концевой (нижний) | 24 | Демпфер | | |
| 10 | Профиль концевой (верхний) | | | | |
| 11 | Вставка уплотнительная (нижняя) | | | | |
| 12 | Вставка уплотнительная (верхняя) | | | | |
| 13 | Ручка | | | | |
| 14 | Засов | | | | |
| 15 | Упор нижний | | | | |

Секционные ворота «АЛЮТЕХ» соответствуют требованиям Европейских стандартов безопасности EN 12604 и EN 12453.

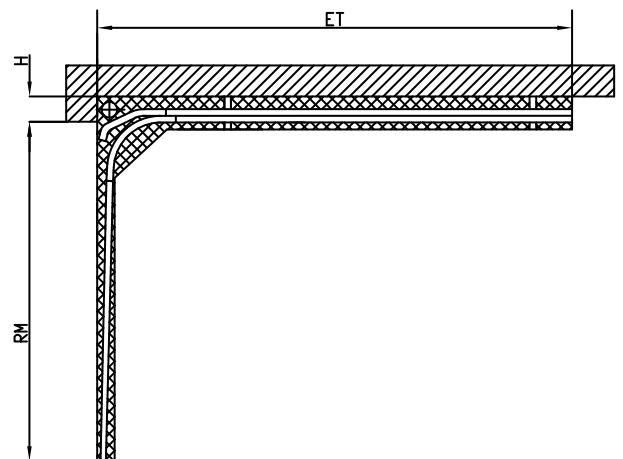
МОНТАЖНАЯ СХЕМА СЕКЦИОННЫХ ГАРАЖНЫХ ВОРОТ СЕРИИ PRESTIGE С ПРУЖИНАМИ РАСТЯЖЕНИЯ



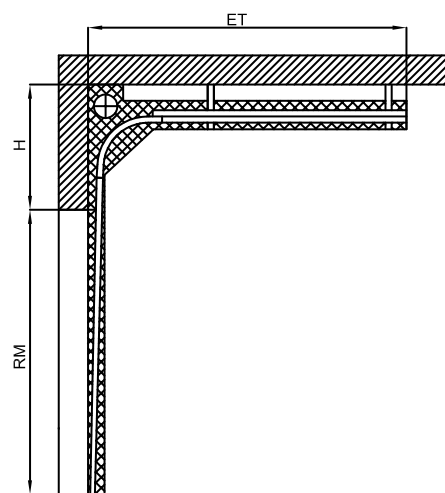
ТИПЫ МОНТАЖА ГАРАЖНЫХ СЕКЦИОННЫХ ВОРОТ СЕРИИ PRESTIGE С ТОРСИОННЫМ ВАЛОМ



Низкий тип монтажа



Стандартный тип монтажа

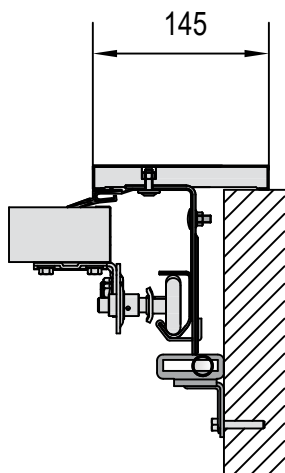


Высокий тип монтажа

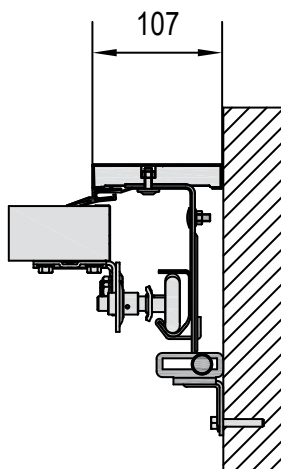
H — высота перемычки, мм
RM — высота проема, мм
ET — глубина вхождения ворот внутрь помещения, мм

| Тип монтажа | Минимальная высота перемычки (H), мм |
|---|--------------------------------------|
| Низкий монтаж | 100 |
| Стандартный монтаж | 210 |
| Высокий монтаж с верхним расположением вала | 500 |
| Пружины растяжения | 100 |

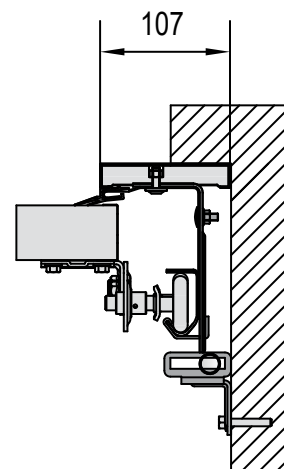
ВСТРОЕННЫЙ МОНТАЖ ГАРАЖНЫХ ВОРОТ С ПРУЖИНАМИ РАСТЯЖЕНИЯ И ГАРАЖНЫХ ВОРОТ НИЗКОГО ТИПА МОНТАЖА



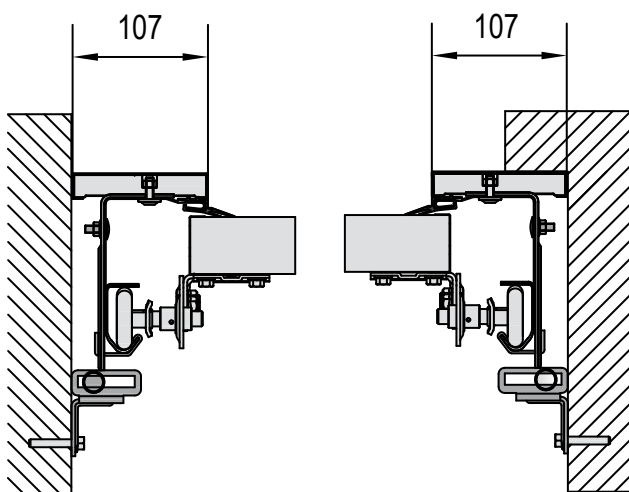
Монтаж перед проемом
Комплект FWO145



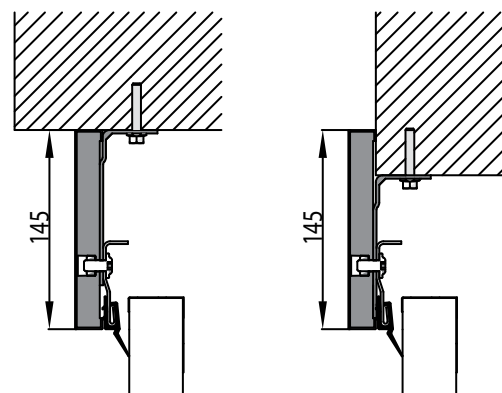
Монтаж в проем
Комплект FWO100



Монтаж за проемом
Комплект FWO100



Комбинированный монтаж
Комплект FWO145/100



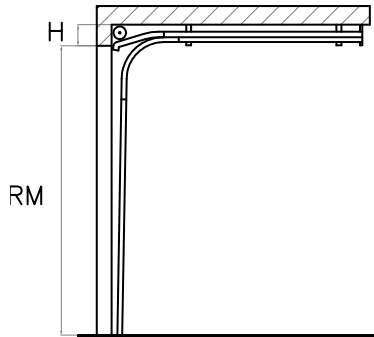
**Установка
декоративного нащельника**

Размеры боковых заплечиков и верхней перемычки:

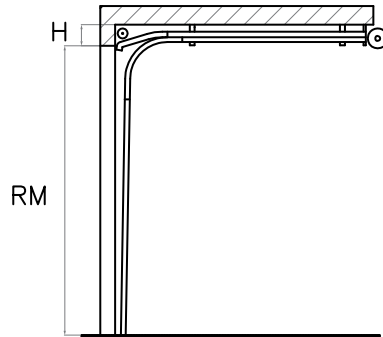
| | |
|-------------------|----------|
| Боковые заплечики | 0–125 мм |
| Верхняя перемычка | 0–145 мм |

ТИПЫ МОНТАЖА ПРОМЫШЛЕННЫХ СЕКЦИОННЫХ ВОРОТ СЕРИИ PROPLUS

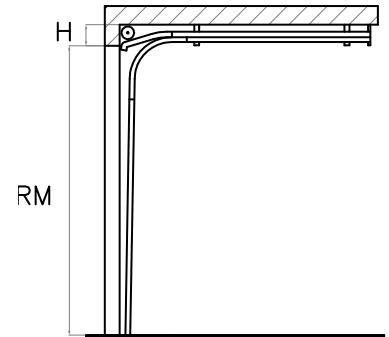
ОДНОВАЛЬНАЯ СИСТЕМА БАЛАНСИРОВКИ ПОЛОТНА ВОРОТ



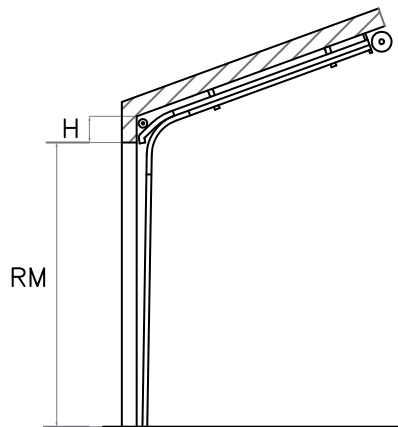
Стандартный тип монтажа



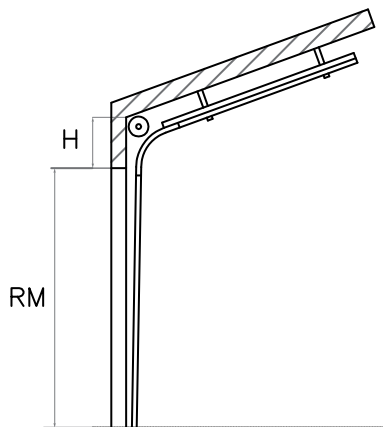
Низкий тип монтажа



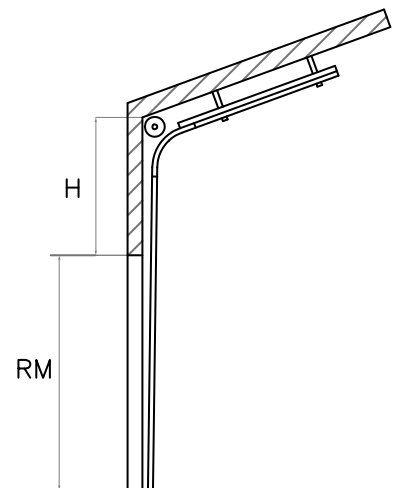
Низкий тип монтажа с передним расположением вала



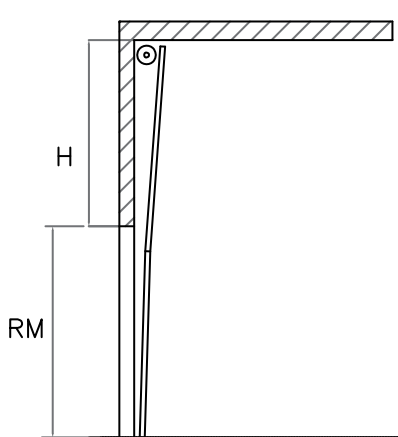
Наклонный низкий тип монтажа



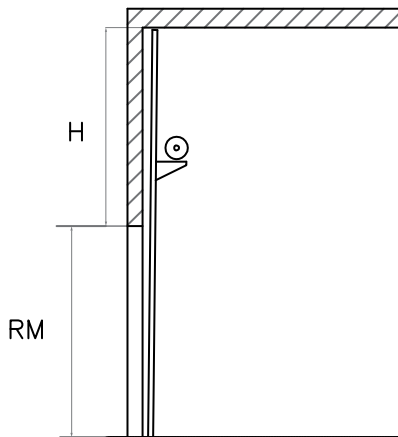
Наклонный тип монтажа



Наклонный высокий тип монтажа с верхним расположением вала

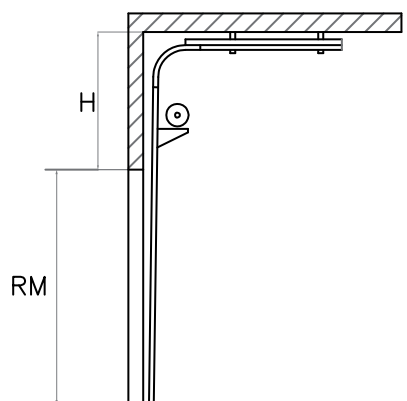


Вертикальный тип монтажа с верхним расположением вала

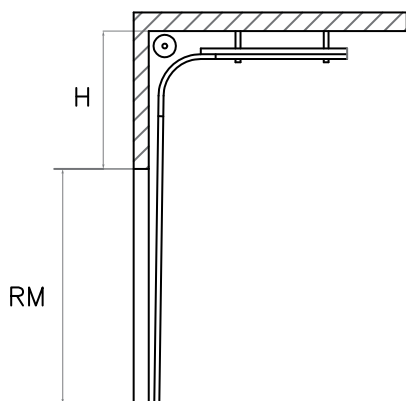


Вертикальный тип монтажа с нижним расположением вала

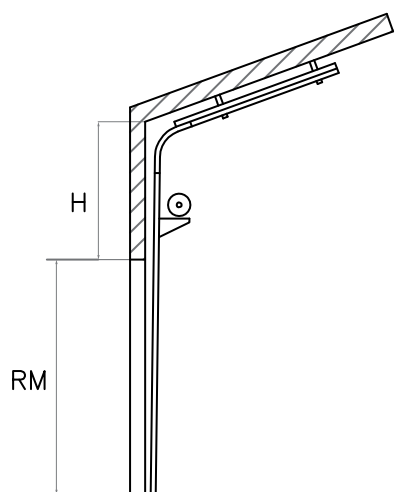
H — высота перемычки, мм
RM — высота проема, мм



Высокий тип монтажа с нижним расположением вала



Высокий тип монтажа с верхним расположением вала

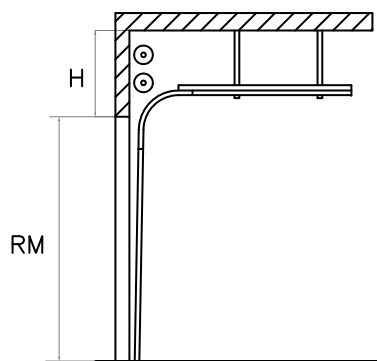


Наклонный высокий тип монтажа с нижним расположением вала

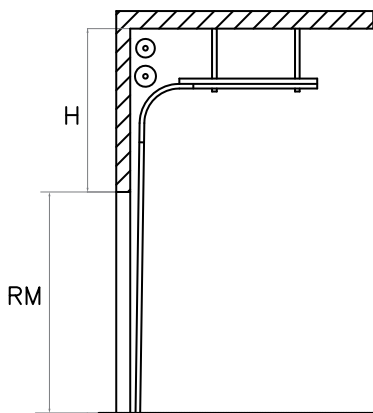
| Тип монтажа | Минимальная высота перемычки (H), мм |
|---|--------------------------------------|
| Низкий монтаж | 230 |
| Стандартный монтаж | 410 |
| Высокий монтаж с верхним расположением вала | 900 |
| Высокий монтаж с нижним расположением вала | 1795 |
| Вертикальный монтаж с верхним расположением вала | RM + 340 |
| Вертикальный монтаж с нижним расположением вала | RM + 340 |
| Наклонный монтаж | 490 |
| Наклонный высокий монтаж с верхним расположением вала | 900 |
| Наклонный высокий монтаж с нижним расположением вала | 1795 |
| Наклонный низкий монтаж | 275 |
| Низкий монтаж с передним расположением вала | 250 |

ТИПЫ МОНТАЖА ПРОМЫШЛЕННЫХ СЕКЦИОННЫХ ВОРОТ СЕРИИ PROPLUS С ТОРСИОННЫМ ВАЛОМ

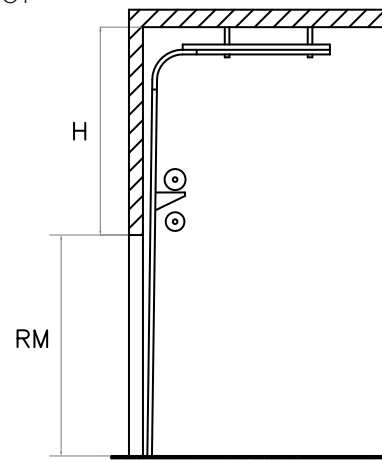
ДВУХВАЛЬНАЯ СИСТЕМА БАЛАНСИРОВКИ ПОЛОТНА ВОРОТ



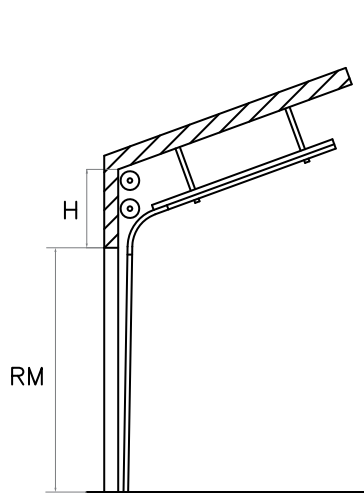
Стандартный тип монтажа



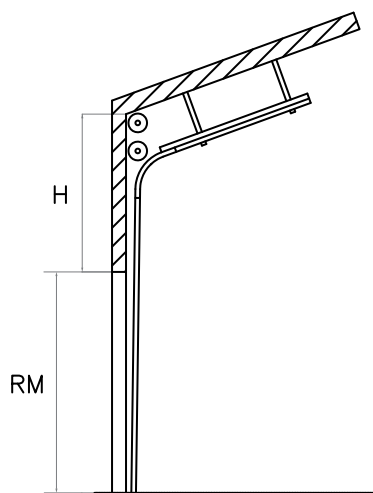
Высокий тип монтажа с верхним расположением валов



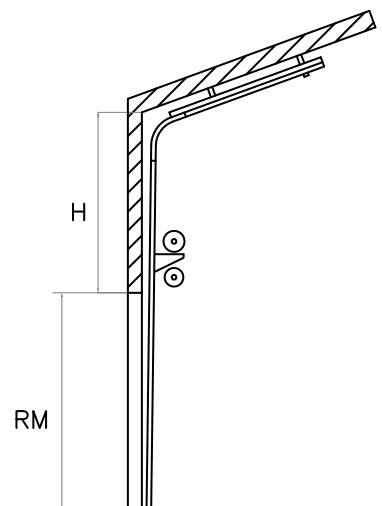
Высокий тип монтажа с нижним расположением валов



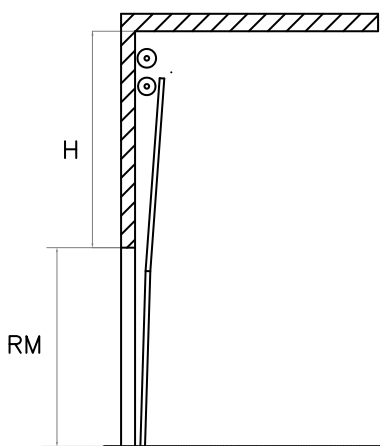
Наклонный тип монтажа



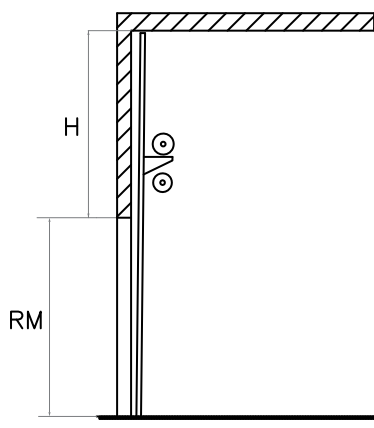
Наклонный высокий тип монтажа с верхним расположением валов



Наклонный высокий тип монтажа с нижним расположением валов



Вертикальный тип монтажа с верхним расположением валов



Вертикальный тип монтажа с нижним расположением валов

H — высота перемычки, мм

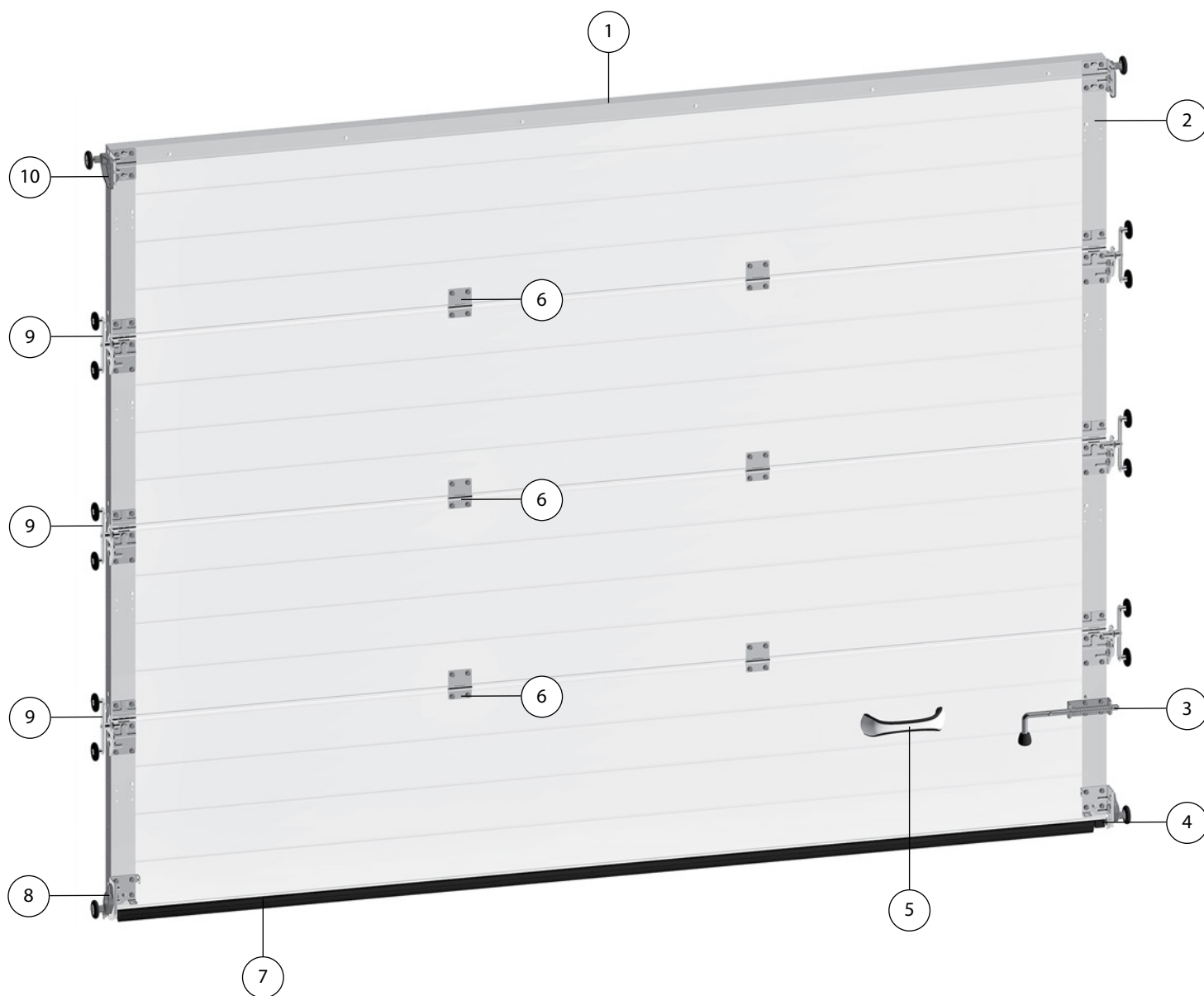
RM — высота проема, мм

| Тип монтажа | Минимальная высота перемычки (H), мм |
|---|--------------------------------------|
| Стандартный тип монтажа | 840 |
| Высокий тип монтажа с верхним расположением валов | 1275 |
| Высокий тип монтажа с нижним расположением валов | 2100 |
| Наклонный тип монтажа | 920 |
| Наклонный высокий тип монтажа с верхним расположением валов | 1275 |
| Наклонный высокий тип монтажа с нижним расположением валов | 2100 |
| Вертикальный тип монтажа с верхним расположением валов | RM+590 |
| Вертикальный тип монтажа с нижним расположением валов | RM+340 |

1.2

Полотно ворот

ТИПОВАЯ КОНСТРУКЦИЯ ПОЛОТНА ГАРАЖНЫХ ВОРОТ СЕРИИ PRESTIGE



| № | Наименование | № | Наименование |
|---|----------------------------|----|---------------------------------|
| 1 | Профиль концевой (верхний) | 6 | Петля промежуточная |
| 2 | Накладка боковая | 7 | Вставка уплотнительная (нижняя) |
| 3 | Засов | 8 | Кронштейн нижний |
| 4 | Упор нижний | 9 | Кронштейн боковой |
| 5 | Ручка | 10 | Кронштейн верхний |

1.1

1.2

1.3

1.4

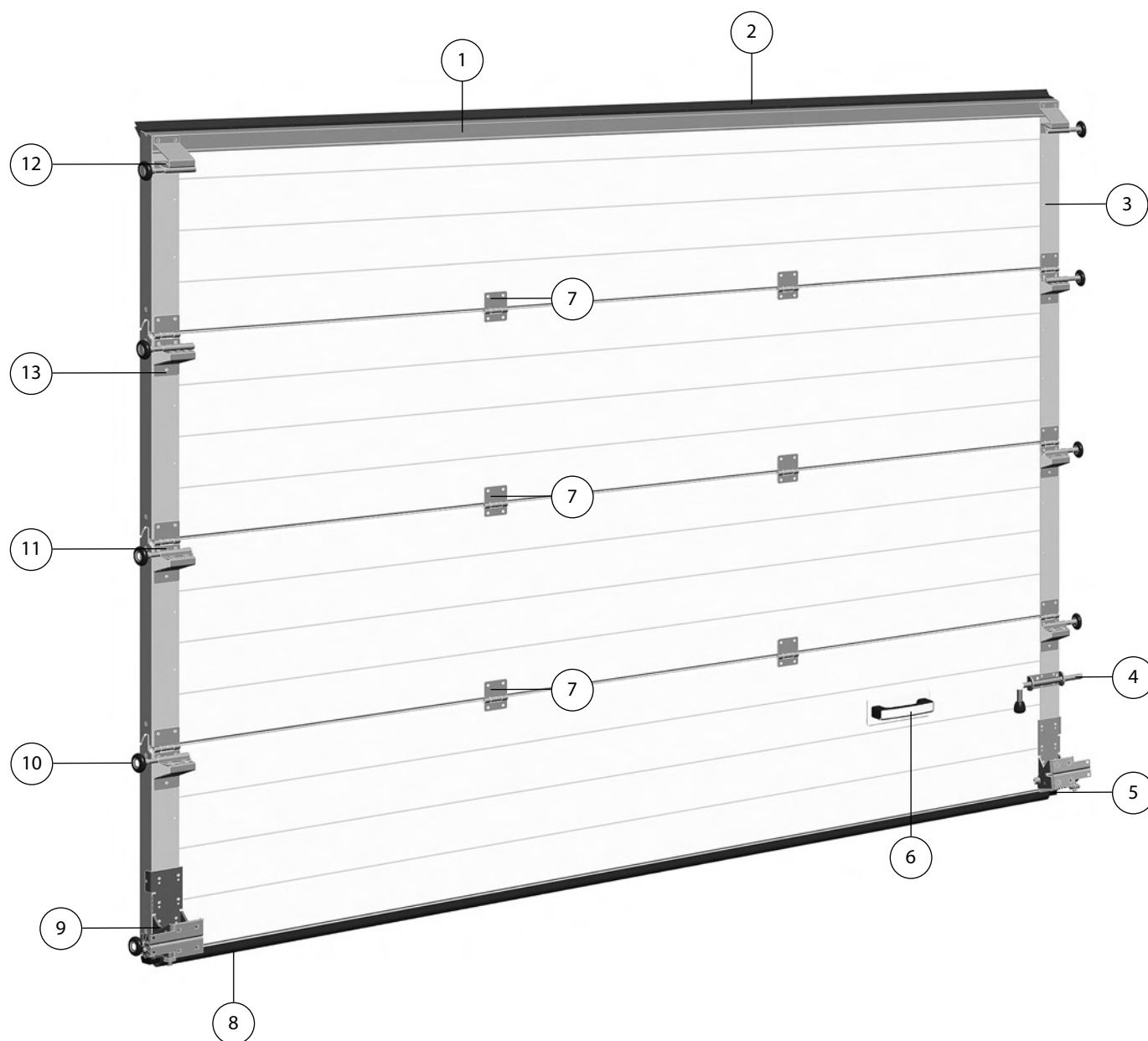
1.5

2

3

4

ТИПОВАЯ КОНСТРУКЦИЯ ПОЛОТНА ПРОМЫШЛЕННЫХ ВОРОТ СЕРИИ PROPLUS



| № | Наименование |
|---|----------------------------------|
| 1 | Профиль концевой (верхний) |
| 2 | Вставка уплотнительная (верхняя) |
| 3 | Накладка боковая |
| 4 | Засов |
| 5 | Упор нижний |

| № | Наименование |
|---|---------------------------------|
| 6 | Ручка |
| 7 | Петля промежуточная |
| 8 | Вставка уплотнительная (нижняя) |
| 9 | Кронштейн нижний |

| № | Наименование |
|----|--------------------|
| 10 | Ролик ходовой |
| 11 | Накладка роликовая |
| 12 | Кронштейн верхний |
| 13 | Кронштейн боковой |

КОНСТРУКЦИЯ СЭНДВИЧ-ПАНЕЛИ ТОЛЩИНОЙ 45 ММ С ЗАЩИТОЙ ОТ ЗАЩЕМЛЕНИЯ ПАЛЬЦЕВ



Полиуретановое покрытие 20–25 мкм

Грунт 14–16 мкм

Цинк 16 мкм

Сталь:

- 0,4 мм для панелей с тиснением Woodgrain;
- 0,5 мм для гладких панелей (Smooth)

Цинк 16 мкм

Адгезионный лак 12 мкм

Вспененный полиуретан

1.1

1.2

1.3

1.4

1.5

2

3

4

СЭНДВИЧ-ПАНЕЛИ С РИСУНКОМ «МИКРОВОЛНА»

СТРУКТУРА ПОВЕРХНОСТИ WOODGRAIN

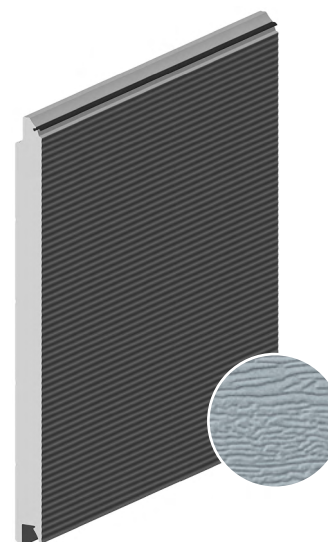


Панель воротная

Наружная сторона: структура поверхности woodgrain с рисунком «микроволна».
Внутренняя сторона: структура поверхности woodgrain с горизонтальными полосами,
цвет — бело-серый (близкий RAL 9002).

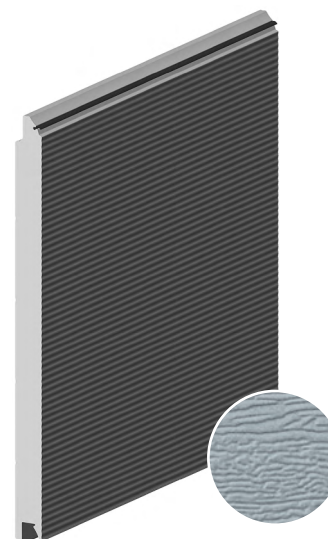
| | |
|--------------------|------|
| Высота панели, мм | 500 |
| Толщина панели, мм | 45 |
| Вес, кг/м | 5,31 |
| Единица измерения | м |

| Артикул | Код | Цвет* | Длина, м | Норма поставки, м |
|------------|-----------|----------|----------|-------------------|
| MW1.01-500 | 401040012 | RAL 9016 | 12,2 | 268,4 |
| MW1.02-500 | 401040017 | RAL 8014 | 12,2 | 268,4 |
| MW1.03-500 | 401040011 | RAL 9006 | 12,2 | 268,4 |
| MW1.04-500 | 401040014 | RAL 5010 | 12,2 | 268,4 |
| MW1.12-500 | 401040113 | RAL 3004 | 9,2 | 202,4 |
| MW1.09-500 | 401040021 | RAL 6005 | 9,2 | 202,4 |
| MW1.10-500 | 401040020 | RAL 1015 | 9,2 | 202,4 |
| MW1.14-500 | 401040028 | ADS703 | 9,2 | 202,4 |
| MW1.16-500 | 401040029 | RAL 7016 | 9,2 | 202,4 |
| MW1.20-500 | 401041519 | RAL 8017 | 9,2 | 202,4 |



| | |
|--------------------|------|
| Высота панели, мм | 625 |
| Толщина панели, мм | 45 |
| Вес, кг/м | 6,38 |
| Единица измерения | м |

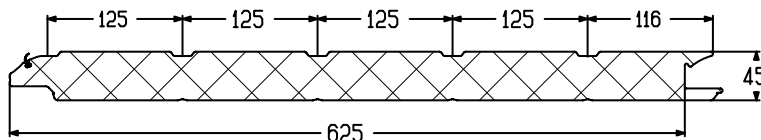
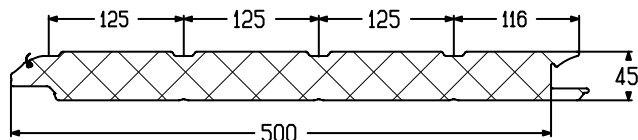
| Артикул | Код | Цвет* | Длина, м | Норма поставки, м |
|------------|-----------|----------|----------|-------------------|
| MW1.01-625 | 401090012 | RAL 9016 | 12,2 | 268,4 |
| MW1.02-625 | 401090017 | RAL 8014 | 12,2 | 268,4 |
| MW1.03-625 | 401090011 | RAL 9006 | 12,2 | 268,4 |
| MW1.04-625 | 401090014 | RAL 5010 | 12,2 | 268,4 |
| MW1.12-625 | 401090113 | RAL 3004 | 9,2 | 202,4 |
| MW1.09-625 | 401000321 | RAL 6005 | 9,2 | 202,4 |
| MW1.10-625 | 401000320 | RAL 1015 | 9,2 | 202,4 |
| MW1.14-625 | 401090028 | ADS703 | 9,2 | 202,4 |
| MW1.16-625 | 401090229 | RAL 7016 | 9,2 | 202,4 |
| MW1.20-625 | 401091219 | RAL 8017 | 9,2 | 202,4 |



* Указанные цвета имеют близкое соответствие шкале RAL.

СЭНДВИЧ-ПАНЕЛИ С РИСУНКОМ S-ГОФР

СТРУКТУРА ПОВЕРХНОСТИ WOODGRAIN



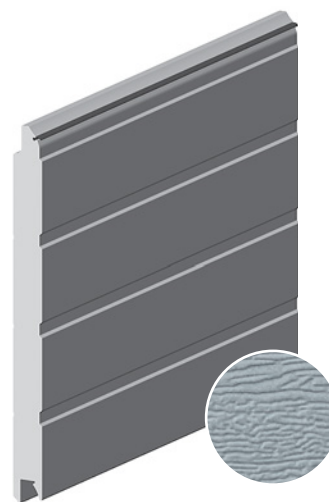
Панель воротная

Наружная сторона: структура поверхности woodgrain с рисунком S-гофр (узкий гофр).

Внутренняя сторона: структура поверхности woodgrain с горизонтальными полосами, цвет — бело-серый (близкий RAL 9002).

| | |
|--------------------|------|
| Высота панели, мм | 500 |
| Толщина панели, мм | 45 |
| Вес, кг/м | 5,37 |
| Единица измерения | м |

| Артикул | Код | Цвет* | Длина, м | Норма поставки, м |
|------------|-----------|----------|----------|-------------------|
| RS1.01-500 | 401040112 | RAL 9016 | 12,2 | 268,4 |
| RS1.02-500 | 401040117 | RAL 8014 | 12,2 | 268,4 |
| RS1.03-500 | 401040111 | RAL 9006 | 12,2 | 268,4 |
| RS1.04-500 | 401040114 | RAL 5010 | 12,2 | 268,4 |
| RS1.12-500 | 401040213 | RAL 3004 | 9,2 | 202,4 |
| RS1.09-500 | 401040121 | RAL 6005 | 9,2 | 202,4 |
| RS1.10-500 | 401040120 | RAL 1015 | 9,2 | 202,4 |
| RS1.14-500 | 401040128 | ADS703 | 9,2 | 202,4 |
| RS1.16-500 | 401040129 | RAL 7016 | 9,2 | 202,4 |
| RS1.20-500 | 401041419 | RAL 8017 | 9,2 | 202,4 |



| | |
|--------------------|------|
| Высота панели, мм | 625 |
| Толщина панели, мм | 45 |
| Вес, кг/м | 6,43 |
| Единица измерения | м |

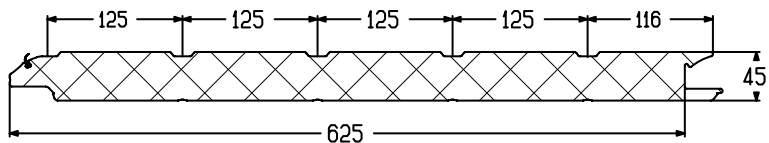
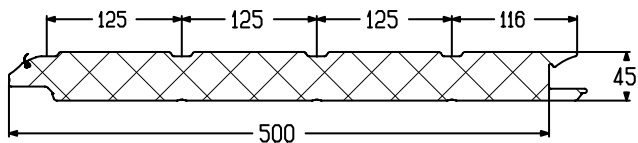
| Артикул | Код | Цвет* | Длина, м | Норма поставки, м |
|------------|-----------|----------|----------|-------------------|
| RS1.01-625 | 401090112 | RAL 9016 | 12,2 | 268,4 |
| RS1.02-625 | 401090117 | RAL 8014 | 12,2 | 268,4 |
| RS1.03-625 | 401090111 | RAL 9006 | 12,2 | 268,4 |
| RS1.04-625 | 401090114 | RAL 5010 | 12,2 | 268,4 |
| RS1.12-625 | 401090213 | RAL 3004 | 9,2 | 202,4 |
| RS1.09-625 | 401000421 | RAL 6005 | 9,2 | 202,4 |
| RS1.10-625 | 401000420 | RAL 1015 | 9,2 | 202,4 |
| RS1.14-625 | 401090128 | ADS703 | 9,2 | 202,4 |
| RS1.16-625 | 401090329 | RAL 7016 | 9,2 | 202,4 |
| RS1.20-625 | 401091119 | RAL 8017 | 9,2 | 202,4 |



* Указанные цвета имеют близкое соответствие шкале RAL.

СЭНДВИЧ-ПАНЕЛИ С РИСУНКОМ S-ГОФР

СТРУКТУРА ПОВЕРХНОСТИ «ГЛАДКАЯ»

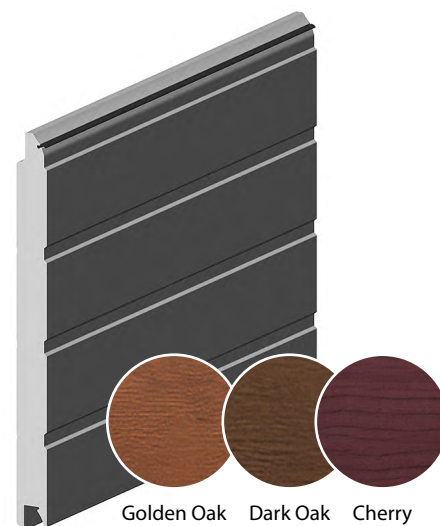


Панель воротная

Наружная сторона: структура поверхности гладкая с рисунком S-гофр (узкий гофр).
Внутренняя сторона: структура поверхности woodgrain с горизонтальными полосами,
цвет — бело-серый (близкий RAL 9002).

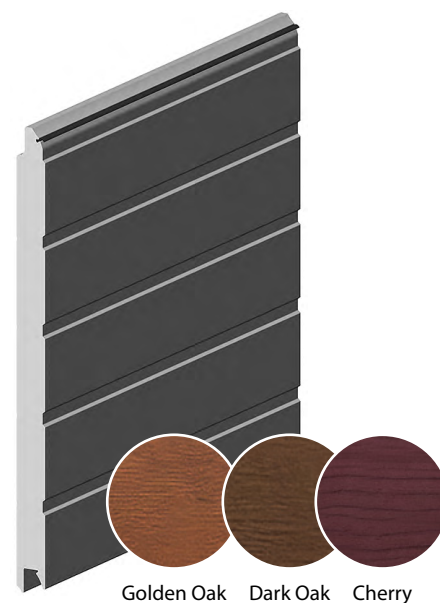
| | |
|--------------------|-----|
| Высота панели, мм | 500 |
| Толщина панели, мм | 45 |
| Вес, кг/м | 5,5 |
| Единица измерения | м |

| Артикул | Код | Цвет | Длина, м | Норма поставки, м |
|------------|-----------|------------|----------|-------------------|
| RS0.05-500 | 401040205 | Golden Oak | 9,2 | 202,4 |
| RS0.06-500 | 401040206 | Dark Oak | 9,2 | 202,4 |
| RS0.07-500 | 401040207 | Cherry | 9,2 | 202,4 |



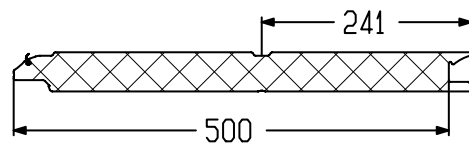
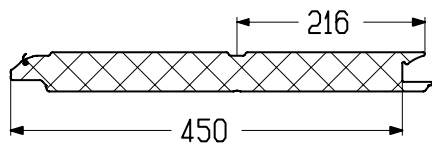
| | |
|--------------------|------|
| Высота панели, мм | 625 |
| Толщина панели, мм | 45 |
| Вес, кг/м | 6,57 |
| Единица измерения | м |

| Артикул | Код | Цвет | Длина, м | Норма поставки, м |
|------------|-----------|------------|----------|-------------------|
| RS0.05-625 | 401090105 | Golden Oak | 9,2 | 202,4 |
| RS0.06-625 | 401090106 | Dark Oak | 9,2 | 202,4 |
| RS0.07-625 | 401090107 | Cherry | 9,2 | 202,4 |



СЭНДВИЧ-ПАНЕЛИ С РИСУНКОМ М-ГОФР

СТРУКТУРА ПОВЕРХНОСТИ WOODGRAIN



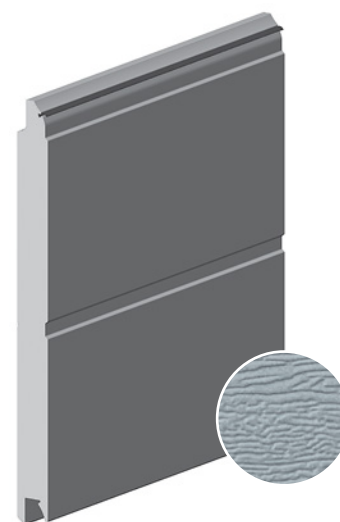
Панель воротная

Наружная сторона: структура поверхности woodgrain с рисунком М-гофр (средний гофр).

Внутренняя сторона: структура поверхности woodgrain с горизонтальными полосами, цвет — бело-серый (близкий RAL 9002).

Толщина панели, мм 45
Единица измерения м

| Артикул | Код | Цвет* | Высота панели, мм | Вес, кг/м | Длина, м | Норма поставки, м |
|------------|-----------|----------|-------------------|-----------|----------|-------------------|
| RM1.01-450 | 401020612 | RAL 9016 | 450 | 4,83 | 9,2 | 202,4 |
| RM1.01-500 | 401020712 | RAL 9016 | 500 | 5,37 | 9,2 | 202,4 |
| RM1.02-450 | 401022717 | RAL 8014 | 450 | 4,83 | 9,2 | 202,4 |
| RM1.02-500 | 401043017 | RAL 8014 | 500 | 5,37 | 9,2 | 202,4 |



СТРУКТУРА ПОВЕРХНОСТИ «ГЛАДКАЯ»

Толщина панели, мм 45
Единица измерения м

| Артикул | Код | Цвет* | Высота панели, мм | Вес, кг/м | Длина, м | Норма поставки, м | | | | | | | | | | | | | |
|------------|-----------|------------|-------------------|-----------|--|-------------------|-----------|--------|-----|------|-----|-------|------------|-----------|--------|-----|------|-----|-------|
| RM0.05-450 | 401020105 | Golden Oak | 450 | 4,96 | 9,2 | 202,4 | | | | | | | | | | | | | |
| RM0.05-500 | 401020205 | Golden Oak | 500 | 5,50 | 9,2 | 202,4 | | | | | | | | | | | | | |
| RM0.06-450 | 401022906 | Dark Oak | 450 | 4,96 | 9,2 | 202,4 | | | | | | | | | | | | | |
| RM0.06-500 | 401043106 | Dark Oak | 500 | 5,50 | 9,2 | 202,4 | | | | | | | | | | | | | |
| RM0.07-450 | 401020107 | Cherry | 450 | 4,96 | 9,2 | 202,4 | | | | | | | | | | | | | |
| RM0.07-500 | 401040307 | Cherry | 500 | 5,50 | 9,2 | 202,4 | | | | | | | | | | | | | |
| RM0.01-450 | 401021812 | RAL 9016 | 450 | 4,96 | 9,2 | 202,4 | | | | | | | | | | | | | |
| RM0.01-500 | 401043112 | RAL 9016 | 500 | 5,50 | 9,2 | 202,4 | | | | | | | | | | | | | |
| RM0.16-450 | 401020429 | RAL 7016 | 450 | 4,96 | 9,2 | 202,4 | | | | | | | | | | | | | |
| RM0.16-500 | 401040729 | RAL 7016 | 500 | 5,50 | 9,2 </tr <tr> <td>RM0.24-450</td> <td>401020182</td> <td>ADS704</td> <td>450</td> <td>5,42</td> <td>9,2</td> <td>202,4</td> </tr> <tr> <td>RM0.24-500</td> <td>401020182</td> <td>ADS704</td> <td>500</td> <td>5,74</td> <td>9,2</td> <td>202,4</td> </tr> | RM0.24-450 | 401020182 | ADS704 | 450 | 5,42 | 9,2 | 202,4 | RM0.24-500 | 401020182 | ADS704 | 500 | 5,74 | 9,2 | 202,4 |
| RM0.24-450 | 401020182 | ADS704 | 450 | 5,42 | 9,2 | 202,4 | | | | | | | | | | | | | |
| RM0.24-500 | 401020182 | ADS704 | 500 | 5,74 | 9,2 | 202,4 | | | | | | | | | | | | | |

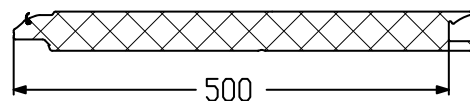
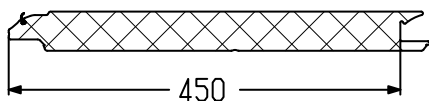


Golden Oak Dark Oak Cherry ADS704

* Указанные цвета имеют близкое соответствие шкале RAL.

СЭНДВИЧ-ПАНЕЛИ С РИСУНКОМ L-ГОФР

СТРУКТУРА ПОВЕРХНОСТИ WOODGRAIN



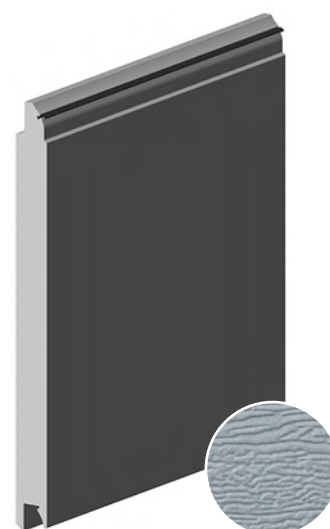
Панель воротная

Наружная сторона: структура поверхности woodgrain с рисунком L-гофр (широкий гофр).

Внутренняя сторона: структура поверхности woodgrain с горизонтальными полосами, цвет — бело-серый (близкий RAL 9002).

Толщина панели, мм 45
Единица измерения м

| Артикул | Код | Цвет* | Высота панели, мм | Вес, кг/м | Длина, м | Норма поставки, м |
|------------|-----------|----------|-------------------|-----------|----------|-------------------|
| RL1.01-450 | 401040912 | RAL 9016 | 450 | 4,78 | 9,2 | 202,4 |
| RL1.01-500 | 401041012 | RAL 9016 | 500 | 5,31 | 9,2 | 202,4 |
| RL1.02-450 | 401022817 | RAL 8014 | 450 | 4,78 | 9,2 | 202,4 |
| RL1.02-500 | 401043117 | RAL 8014 | 500 | 5,31 | 9,2 | 202,4 |



СТРУКТУРА ПОВЕРХНОСТИ «ГЛАДКАЯ»

Толщина панели, мм 45
Единица измерения м

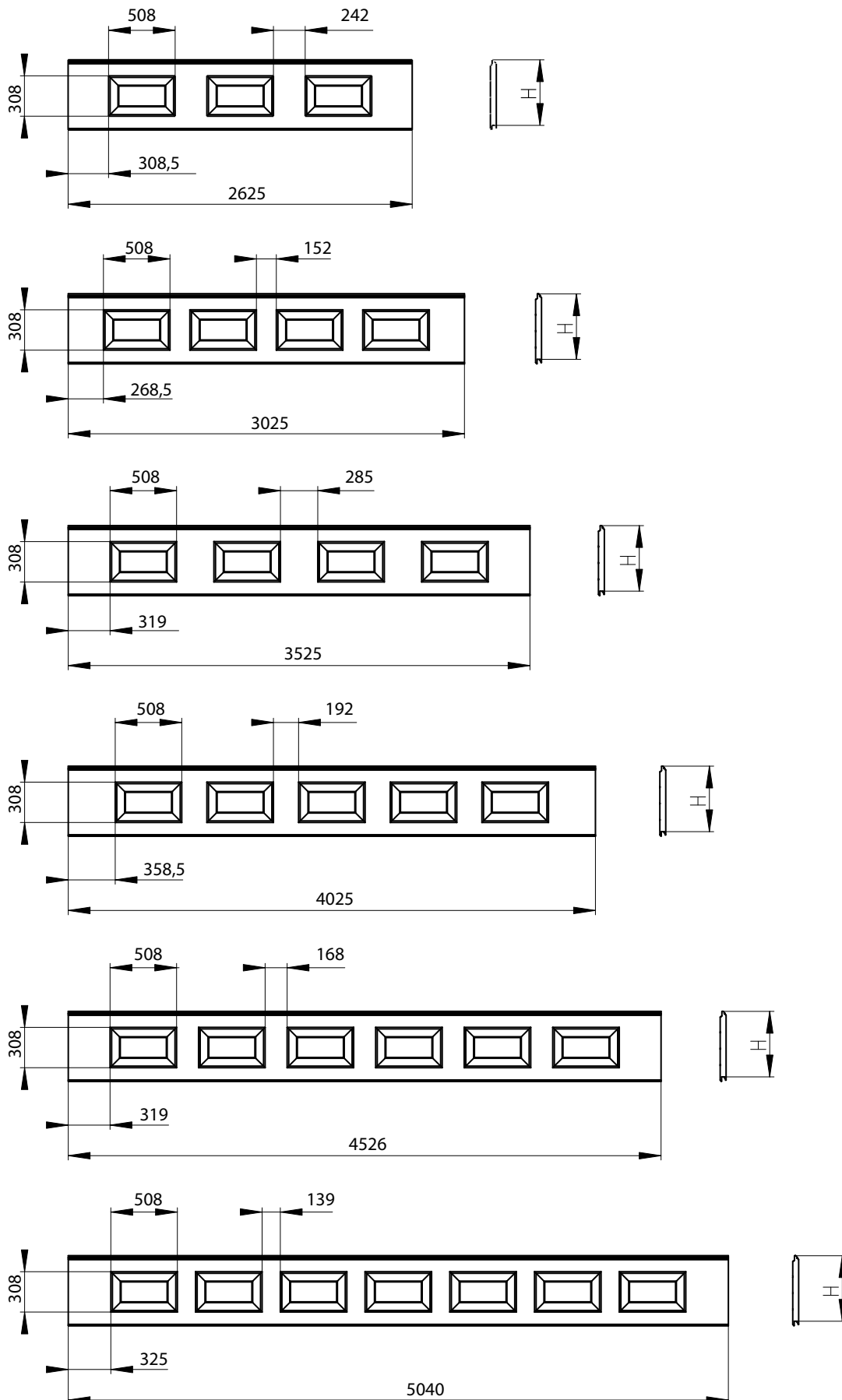
| Артикул | Код | Цвет* | Высота панели, мм | Вес, кг/м | Длина, м | Норма поставки, м |
|------------|-----------|------------|-------------------|-----------|----------|-------------------|
| RL0.05-450 | 401042105 | Golden Oak | 450 | 4,90 | 9,2 | 202,4 |
| RL0.05-500 | 401042205 | Golden Oak | 500 | 5,44 | 9,2 | 202,4 |
| RL0.14-450 | 401020028 | ADS703 | 450 | 4,90 | 9,2 | 202,4 |
| RL0.14-500 | 401040428 | ADS703 | 500 | 5,44 | 9,2 | 202,4 |
| RL0.06-450 | 401023006 | Dark Oak | 450 | 4,90 | 9,2 | 202,4 |
| RL0.06-500 | 401043206 | Dark Oak | 500 | 5,44 | 9,2 | 202,4 |
| RL0.07-450 | 401020207 | Cherry | 450 | 4,90 | 9,2 | 202,4 |
| RL0.07-500 | 401040407 | Cherry | 500 | 5,44 | 9,2 | 202,4 |
| RL0.01-450 | 401021912 | RAL 9016 | 450 | 4,90 | 9,2 | 202,4 |
| RL0.01-500 | 401043212 | RAL 9016 | 500 | 5,44 | 9,2 | 202,4 |
| RL0.16-450 | 401020529 | RAL 7016 | 450 | 4,90 | 9,2 | 202,4 |
| RL0.16-500 | 401040829 | RAL 7016 | 500 | 5,44 | 9,2 | 202,4 |
| RL0.24-450 | 401020282 | ADS704 | 450 | 5,42 | 9,2 | 202,4 |
| RL0.24-450 | 401020282 | ADS704 | 500 | 5,74 | 9,2 | 202,4 |



* Указанные цвета имеют близкое соответствие шкале RAL.

СЭНДВИЧ-ПАНЕЛИ С РИСУНКОМ «ФИЛЕНКА»

СХЕМАТИЧЕСКОЕ ИЗОБРАЖЕНИЕ



1.1

1.2

1.3

1.4

1.5

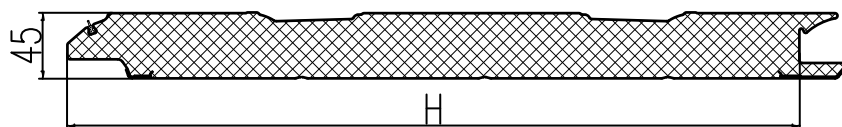
2

3

4

СЭНДВИЧ-ПАНЕЛИ С РИСУНКОМ «ФИЛЕНКА»

СТРУКТУРА ПОВЕРХНОСТИ WOODGRAIN



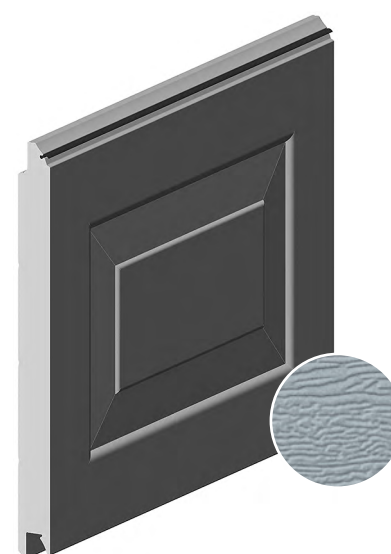
Панель воротная

Наружная сторона: структура поверхности woodgrain с рисунком «филенка».

Внутренняя сторона: структура поверхности woodgrain с горизонтальными полосами, цвет — бело-серый (близкий RAL 9002).

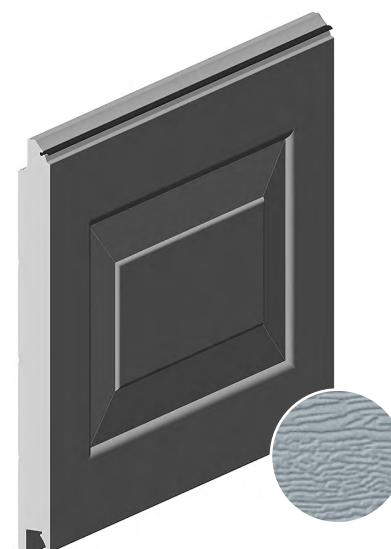
| | |
|--------------------|------|
| Высота панели, мм | 425 |
| Толщина панели, мм | 45 |
| Вес, кг/м | 4,68 |
| Единица измерения | м |

| Артикул | Код | Цвет* | Длина, м | Норма поставки, м |
|-----------------|-----------|----------|----------|-------------------|
| СТ1.01-425-3025 | 401010712 | RAL 9016 | 3,025 | 66,55 |
| СТ1.01-425-3525 | 401010812 | RAL 9016 | 3,525 | 77,55 |
| СТ1.01-425-4025 | 401010012 | RAL 9016 | 4,025 | 88,55 |
| СТ1.01-425-4526 | 401010112 | RAL 9016 | 4,525 | 99,55 |
| СТ1.01-425-5040 | 401010212 | RAL 9016 | 5,040 | 110,88 |
| СТ1.01-425-2625 | 401010612 | RAL 9016 | 2,625 | 57,75 |
| СТ1.02-425-3025 | 401011317 | RAL 8014 | 3,025 | 66,55 |
| СТ1.02-425-3525 | 401011417 | RAL 8014 | 3,525 | 77,55 |
| СТ1.02-425-4025 | 401010617 | RAL 8014 | 4,025 | 88,55 |
| СТ1.02-425-4526 | 401010717 | RAL 8014 | 4,526 | 99,55 |
| СТ1.02-425-5040 | 401010817 | RAL 8014 | 5,040 | 110,88 |



| | |
|--------------------|------|
| Высота панели, мм | 450 |
| Толщина панели, мм | 45 |
| Вес, кг/м | 4,89 |
| Единица измерения | м |

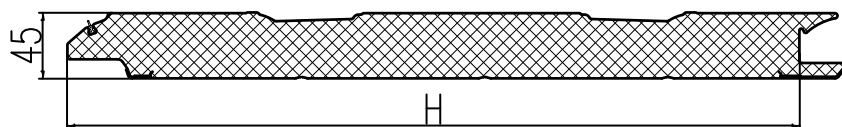
| Артикул | Код | Цвет* | Длина, м | Норма поставки, м |
|-----------------|-----------|----------|----------|-------------------|
| СТ1.01-450-3025 | 401021112 | RAL 9016 | 3,025 | 66,55 |
| СТ1.01-450-3525 | 401021212 | RAL 9016 | 3,525 | 77,55 |
| СТ1.01-450-4025 | 401020012 | RAL 9016 | 4,025 | 88,55 |
| СТ1.01-450-4526 | 401020112 | RAL 9016 | 4,525 | 99,55 |
| СТ1.01-450-5040 | 401020212 | RAL 9016 | 5,040 | 110,88 |
| СТ1.01-450-2625 | 401021012 | RAL 9016 | 2,625 | 57,75 |
| СТ1.02-450-3025 | 401021417 | RAL 8014 | 3,025 | 66,55 |
| СТ1.02-450-3525 | 401021517 | RAL 8014 | 3,525 | 77,55 |
| СТ1.02-450-4025 | 401020617 | RAL 8014 | 4,025 | 88,55 |
| СТ1.02-450-4526 | 401020717 | RAL 8014 | 4,526 | 99,55 |
| СТ1.02-450-5040 | 401020817 | RAL 8014 | 5,040 | 110,88 |



* Указанные цвета имеют близкое соответствие шкале RAL.

СЭНДВИЧ-ПАНЕЛИ С РИСУНКОМ «ФИЛЕНКА»

СТРУКТУРА ПОВЕРХНОСТИ WOODGRAIN



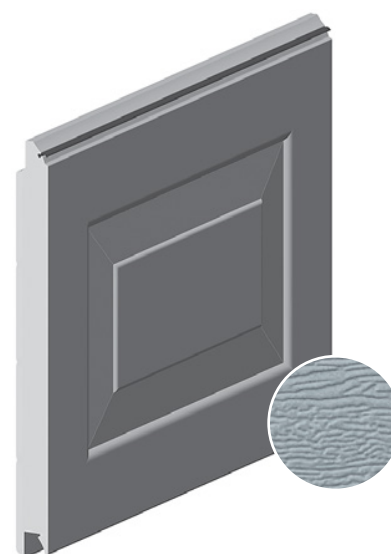
Панель воротная

Наружная сторона: структура поверхности woodgrain с рисунком «филенка».

Внутренняя сторона: структура поверхности woodgrain с горизонтальными полосами, цвет — бело-серый (близкий RAL 9002).

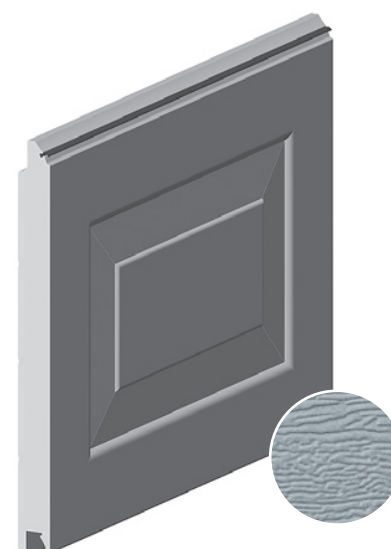
| | |
|--------------------|-----|
| Высота панели, мм | 475 |
| Толщина панели, мм | 45 |
| Вес, кг/м | 5,1 |
| Единица измерения | м |

| Артикул | Код | Цвет* | Длина, м | Норма поставки, м |
|-----------------|-----------|----------|----------|-------------------|
| СТ1.01-475-3025 | 401030712 | RAL 9016 | 3,025 | 66,55 |
| СТ1.01-475-3525 | 401030812 | RAL 9016 | 3,525 | 77,55 |
| СТ1.01-475-4025 | 401030012 | RAL 9016 | 4,025 | 88,55 |
| СТ1.01-475-4526 | 401030112 | RAL 9016 | 4,525 | 99,55 |
| СТ1.01-475-5040 | 401030212 | RAL 9016 | 5,040 | 110,88 |
| СТ1.01-475-2625 | 401030612 | RAL 9016 | 2,625 | 57,75 |
| СТ1.02-475-3025 | 401031417 | RAL 8014 | 3,025 | 66,55 |
| СТ1.02-475-3525 | 401031517 | RAL 8014 | 3,525 | 77,55 |
| СТ1.02-475-4025 | 401030617 | RAL 8014 | 4,025 | 88,55 |
| СТ1.02-475-4526 | 401030717 | RAL 8014 | 4,526 | 99,55 |
| СТ1.02-475-5040 | 401030817 | RAL 8014 | 5,040 | 110,88 |



| | |
|--------------------|------|
| Высота панели, мм | 500 |
| Толщина панели, мм | 45 |
| Вес, кг/м | 5,31 |
| Единица измерения | м |

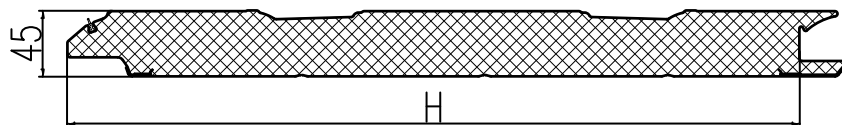
| Артикул | Код | Цвет* | Длина, м | Норма поставки, м |
|-----------------|-----------|----------|----------|-------------------|
| СТ1.01-500-3025 | 401041412 | RAL 9016 | 3,025 | 66,55 |
| СТ1.01-500-3525 | 401041512 | RAL 9016 | 3,525 | 77,55 |
| СТ1.01-500-4025 | 401040312 | RAL 9016 | 4,025 | 88,55 |
| СТ1.01-500-4526 | 401040412 | RAL 9016 | 4,525 | 99,55 |
| СТ1.01-500-5040 | 401040512 | RAL 9016 | 5,040 | 110,88 |
| СТ1.01-500-2625 | 401041312 | RAL 9016 | 2,625 | 57,75 |
| СТ1.02-500-3025 | 401041917 | RAL 8014 | 3,025 | 66,55 |
| СТ1.02-500-3525 | 401042017 | RAL 8014 | 3,525 | 77,55 |
| СТ1.02-500-4025 | 401040917 | RAL 8014 | 4,025 | 88,55 |
| СТ1.02-500-4526 | 401041017 | RAL 8014 | 4,526 | 99,55 |
| СТ1.02-500-5040 | 401041117 | RAL 8014 | 5,040 | 110,88 |



* Указанные цвета имеют близкое соответствие шкале RAL.

СЭНДВИЧ-ПАНЕЛИ С РИСУНКОМ «ФИЛЕНКА»

СТРУКТУРА ПОВЕРХНОСТИ WOODGRAIN

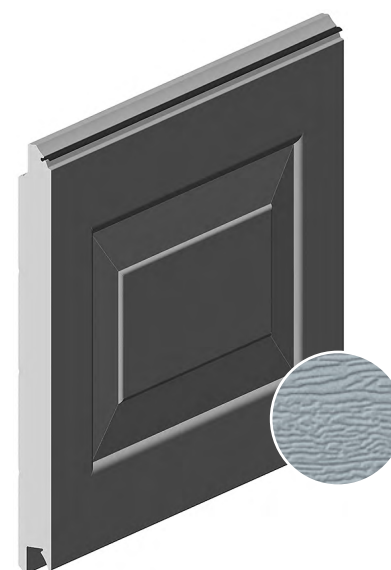


Панель воротная

Наружная сторона: структура поверхности woodgrain с рисунком «филенка». Внутренняя сторона: структура поверхности woodgrain с горизонтальными полосами, цвет — бело-серый (близкий RAL 9002).

| | |
|--------------------|------|
| Высота панели, мм | 525 |
| Толщина панели, мм | 45 |
| Вес, кг/м | 5,53 |
| Единица измерения | м |

| Артикул | Код | Цвет* | Длина, м | Норма поставки, м |
|-----------------|-----------|----------|----------|-------------------|
| СТ1.01-525-3025 | 401050712 | RAL 9016 | 3,025 | 66,55 |
| СТ1.01-525-3525 | 401050812 | RAL 9016 | 3,525 | 77,55 |
| СТ1.01-525-4025 | 401050012 | RAL 9016 | 4,025 | 88,55 |
| СТ1.01-525-4526 | 401050112 | RAL 9016 | 4,525 | 99,55 |
| СТ1.01-525-5040 | 401050212 | RAL 9016 | 5,040 | 110,88 |
| СТ1.01-525-2625 | 401050612 | RAL 9016 | 2,625 | 57,75 |
| СТ1.02-525-3025 | 401051317 | RAL 8014 | 3,025 | 66,55 |
| СТ1.02-525-3525 | 401051417 | RAL 8014 | 3,525 | 77,55 |
| СТ1.02-525-4025 | 401050617 | RAL 8014 | 4,025 | 88,55 |
| СТ1.02-525-4526 | 401050717 | RAL 8014 | 4,526 | 99,55 |
| СТ1.02-525-5040 | 401050817 | RAL 8014 | 5,040 | 110,88 |



| | |
|--------------------|------|
| Высота панели, мм | 425 |
| Толщина панели, мм | 45 |
| Вес, кг/м | 4,79 |
| Единица измерения | м |

| Артикул | Код | Цвет* | Длина, м | Норма поставки, м |
|-----------------|-----------|------------|----------|-------------------|
| СТ0.05-425-3025 | 401011905 | Golden Oak | 3,025 | 66,55 |
| СТ0.05-425-3525 | 401012005 | Golden Oak | 3,525 | 77,55 |
| СТ0.05-425-4025 | 401011205 | Golden Oak | 4,025 | 88,55 |
| СТ0.05-425-4526 | 401011305 | Golden Oak | 4,525 | 99,55 |
| СТ0.05-425-5040 | 401011405 | Golden Oak | 5,040 | 110,88 |
| СТ0.05-425-2625 | 401011805 | Golden Oak | 2,625 | 57,75 |
| СТ0.06-425-3025 | 401012506 | Dark Oak | 3,025 | 66,55 |
| СТ0.06-425-3525 | 401012606 | Dark Oak | 3,525 | 77,55 |
| СТ0.06-425-4025 | 401011806 | Dark Oak | 4,025 | 88,55 |
| СТ0.06-425-4526 | 401011906 | Dark Oak | 4,526 | 99,55 |
| СТ0.06-425-5040 | 401012006 | Dark Oak | 5,040 | 110,88 |

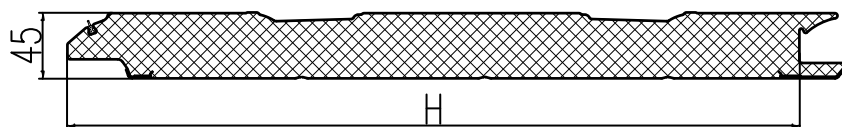


Golden Oak Dark Oak

* Указанные цвета имеют близкое соответствие шкале RAL.

СЭНДВИЧ-ПАНЕЛИ С РИСУНКОМ «ФИЛЕНКА»

СТРУКТУРА ПОВЕРХНОСТИ WOODGRAIN



Панель воротная

Наружная сторона: структура поверхности woodgrain с рисунком «филенка». Внутренняя сторона: структура поверхности woodgrain с горизонтальными полосами, цвет — бело-серый (близкий RAL 9002).

| | |
|--------------------|------|
| Высота панели, мм | 450 |
| Толщина панели, мм | 45 |
| Вес, кг/м | 5,01 |
| Единица измерения | м |

| Артикул | Код | Цвет* | Длина, м | Норма поставки, м |
|-----------------|-----------|------------|----------|-------------------|
| СТ0.05-450-3025 | 401022605 | Golden Oak | 3,025 | 66,55 |
| СТ0.05-450-3525 | 401022705 | Golden Oak | 3,525 | 77,55 |
| СТ0.05-450-4025 | 401021205 | Golden Oak | 4,025 | 88,55 |
| СТ0.05-450-4526 | 401021305 | Golden Oak | 4,525 | 99,55 |
| СТ0.05-450-5040 | 401021405 | Golden Oak | 5,040 | 110,88 |
| СТ0.05-450-2625 | 401022505 | Golden Oak | 2,625 | 57,75 |
| СТ0.06-450-3025 | 401022706 | Dark Oak | 3,025 | 66,55 |
| СТ0.06-450-3525 | 401022806 | Dark Oak | 3,525 | 77,55 |
| СТ0.06-450-4025 | 401021806 | Dark Oak | 4,025 | 88,55 |
| СТ0.06-450-4526 | 401021906 | Dark Oak | 4,526 | 99,55 |
| СТ0.06-450-5040 | 401022006 | Dark Oak | 5,040 | 110,88 |



Golden Oak Dark Oak

| | |
|--------------------|------|
| Высота панели, мм | 475 |
| Толщина панели, мм | 45 |
| Вес, кг/м | 5,22 |
| Единица измерения | м |

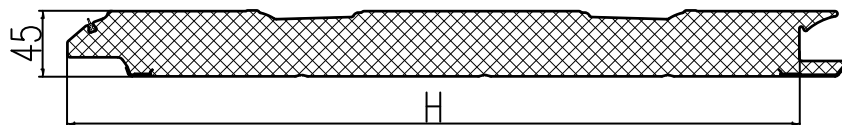
| Артикул | Код | Цвет* | Длина, м | Норма поставки, м |
|-----------------|-----------|------------|----------|-------------------|
| СТ0.05-475-3025 | 401031905 | Golden Oak | 3,025 | 66,55 |
| СТ0.05-475-3525 | 401032005 | Golden Oak | 3,525 | 77,55 |
| СТ0.05-475-4025 | 401031205 | Golden Oak | 4,025 | 88,55 |
| СТ0.05-475-4526 | 401031305 | Golden Oak | 4,525 | 99,55 |
| СТ0.05-475-5040 | 401031405 | Golden Oak | 5,040 | 110,88 |
| СТ0.05-475-2625 | 401031805 | Golden Oak | 2,625 | 57,75 |
| СТ0.06-475-3025 | 401032506 | Dark Oak | 3,025 | 66,55 |
| СТ0.06-475-3525 | 401032606 | Dark Oak | 3,525 | 77,55 |
| СТ0.06-475-4025 | 401031806 | Dark Oak | 4,025 | 88,55 |
| СТ0.06-475-4526 | 401031906 | Dark Oak | 4,526 | 99,55 |
| СТ0.06-475-5040 | 401032006 | Dark Oak | 5,040 | 110,88 |



Golden Oak Dark Oak

СЭНДВИЧ-ПАНЕЛИ С РИСУНКОМ «ФИЛЕНКА»

СТРУКТУРА ПОВЕРХНОСТИ WOODGRAIN



Панель воротная

Наружная сторона: структура поверхности woodgrain с рисунком «филенка».

Внутренняя сторона: структура поверхности woodgrain с горизонтальными полосами, цвет — бело-серый (близкий RAL 9002).

| | |
|--------------------|------|
| Высота панели, мм | 500 |
| Толщина панели, мм | 45 |
| Вес, кг/м | 5,43 |
| Единица измерения | м |

| Артикул | Код | Цвет* | Длина, м | Норма поставки, м |
|-----------------|-----------|------------|----------|-------------------|
| СТ0.05-500-3025 | 401042605 | Golden Oak | 3,025 | 66,55 |
| СТ0.05-500-3525 | 401042705 | Golden Oak | 3,525 | 77,55 |
| СТ0.05-500-4025 | 401041505 | Golden Oak | 4,025 | 88,55 |
| СТ0.05-500-4526 | 401041605 | Golden Oak | 4,525 | 99,55 |
| СТ0.05-500-5040 | 401041705 | Golden Oak | 5,040 | 110,88 |
| СТ0.05-500-2625 | 401042505 | Golden Oak | 2,625 | 57,75 |
| СТ0.06-500-3025 | 401042806 | Dark Oak | 3,025 | 66,55 |
| СТ0.06-500-3525 | 401042906 | Dark Oak | 3,525 | 77,55 |
| СТ0.06-500-4025 | 401042106 | Dark Oak | 4,025 | 88,55 |
| СТ0.06-500-4526 | 401042206 | Dark Oak | 4,526 | 99,55 |
| СТ0.06-500-5040 | 401042306 | Dark Oak | 5,040 | 110,88 |



| | |
|--------------------|------|
| Высота панели, мм | 525 |
| Толщина панели, мм | 45 |
| Вес, кг/м | 5,65 |
| Единица измерения | м |

| Артикул | Код | Цвет* | Длина, м | Норма поставки, м |
|-----------------|-----------|------------|----------|-------------------|
| СТ0.05-525-3025 | 401051905 | Golden Oak | 3,025 | 66,55 |
| СТ0.05-525-3525 | 401052005 | Golden Oak | 3,525 | 77,55 |
| СТ0.05-525-4025 | 401051205 | Golden Oak | 4,025 | 88,55 |
| СТ0.05-525-4526 | 401051305 | Golden Oak | 4,525 | 99,55 |
| СТ0.05-525-5040 | 401051405 | Golden Oak | 5,040 | 110,88 |
| СТ0.05-525-2625 | 401051805 | Golden Oak | 2,625 | 57,75 |
| СТ0.06-525-3025 | 401052506 | Dark Oak | 3,025 | 66,55 |
| СТ0.06-525-3525 | 401052606 | Dark Oak | 3,525 | 77,55 |
| СТ0.06-525-4025 | 401051806 | Dark Oak | 4,025 | 88,55 |
| СТ0.06-525-4526 | 401051906 | Dark Oak | 4,526 | 99,55 |
| СТ0.06-525-5040 | 401052006 | Dark Oak | 5,040 | 110,88 |



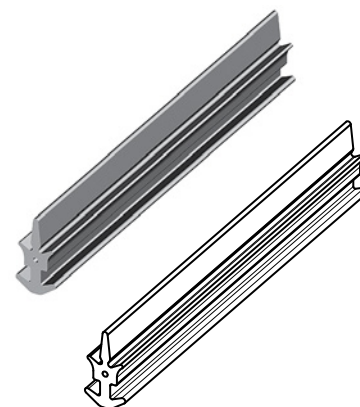
ВСТАВКА УПЛОТНИТЕЛЬНАЯ

Вставка уплотнительная

Предназначена для установки совместно с сэндвич-панелями всех типов.

Материал EPDM
 Вес, кг/м 0,13
 Единица измерения м
 Норма поставки, м 2000

| Артикул | Код |
|---------|-----------|
| RSP16 | 401530600 |



1.1

1.2

1.3

1.4

1.5

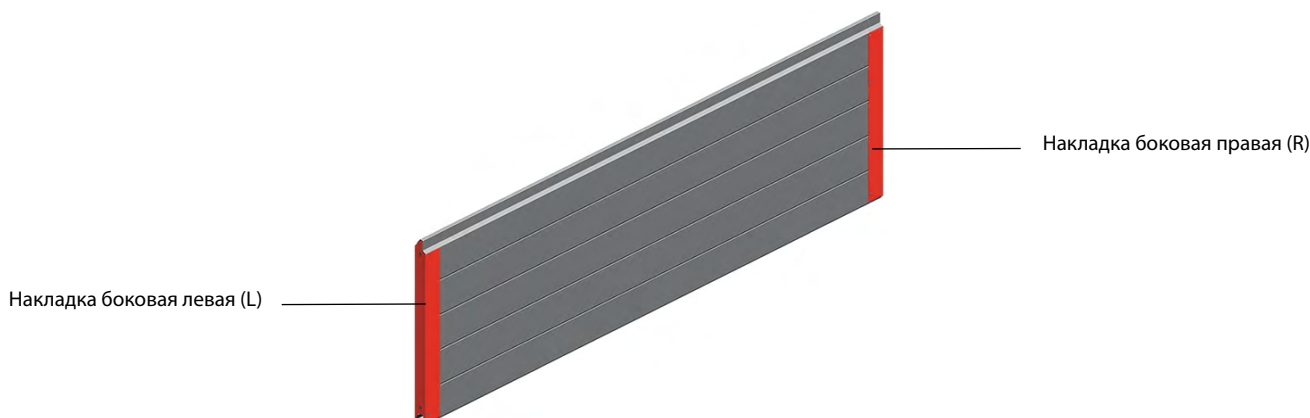
2

3

4

НАКЛАДКИ БОКОВЫЕ

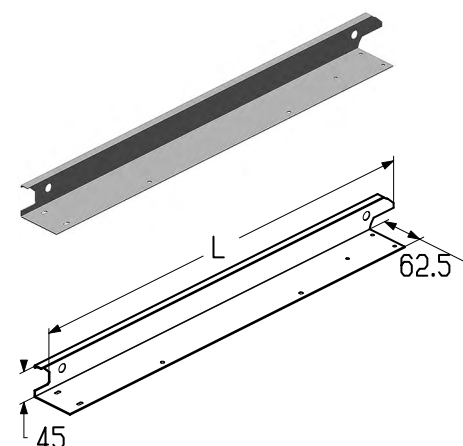
УСТАНОВКА НАКЛАДОК БОКОВЫХ



Накладка боковая

Предназначена для установки на торцы сэндвич-панели. Используется в гаражных воротах с торсионными пружинами и пружинами растяжения, промышленных воротах шириной до 5000 мм.

Материал оцинкованная сталь
 Покрытие полимерное
 Цвет бело-серый (близкий RAL 9002)
 Толщина, мм 1
 Единица измерения шт.

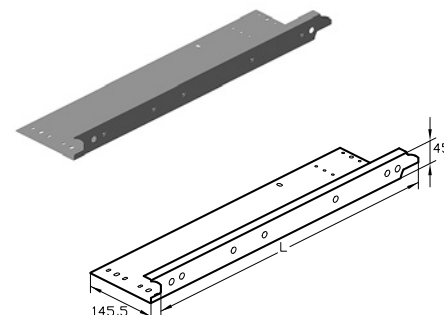


| Артикул | Код | Длина (L), мм | Вес, кг/шт. | Норма поставки, шт. |
|------------|-----------|---------------|-------------|---------------------|
| ЕС-45.425L | 401310710 | 425 | 0,38 | 64 |
| ЕС-45.425R | 401310810 | 425 | 0,38 | 64 |
| ЕС-45.450L | 401320910 | 450 | 0,40 | 64 |
| ЕС-45.450R | 401321010 | 450 | 0,40 | 64 |
| ЕС-45.475L | 401330710 | 475 | 0,42 | 64 |
| ЕС-45.475R | 401330810 | 475 | 0,42 | 64 |
| ЕС-45.500L | 401341110 | 500 | 0,44 | 64 |
| ЕС-45.500R | 401341210 | 500 | 0,44 | 64 |
| ЕС-45.525L | 401350710 | 525 | 0,46 | 64 |
| ЕС-45.525R | 401350810 | 525 | 0,46 | 64 |
| ЕС-45.625L | 401391110 | 625 | 0,55 | 52 |
| ЕС-45.625R | 401391210 | 625 | 0,55 | 52 |

Накладка боковая

Предназначена для установки на торцы сэндвич-панели. Используется в гаражных воротах с торсионными пружинами и промышленных воротах шириной свыше 5000 мм.

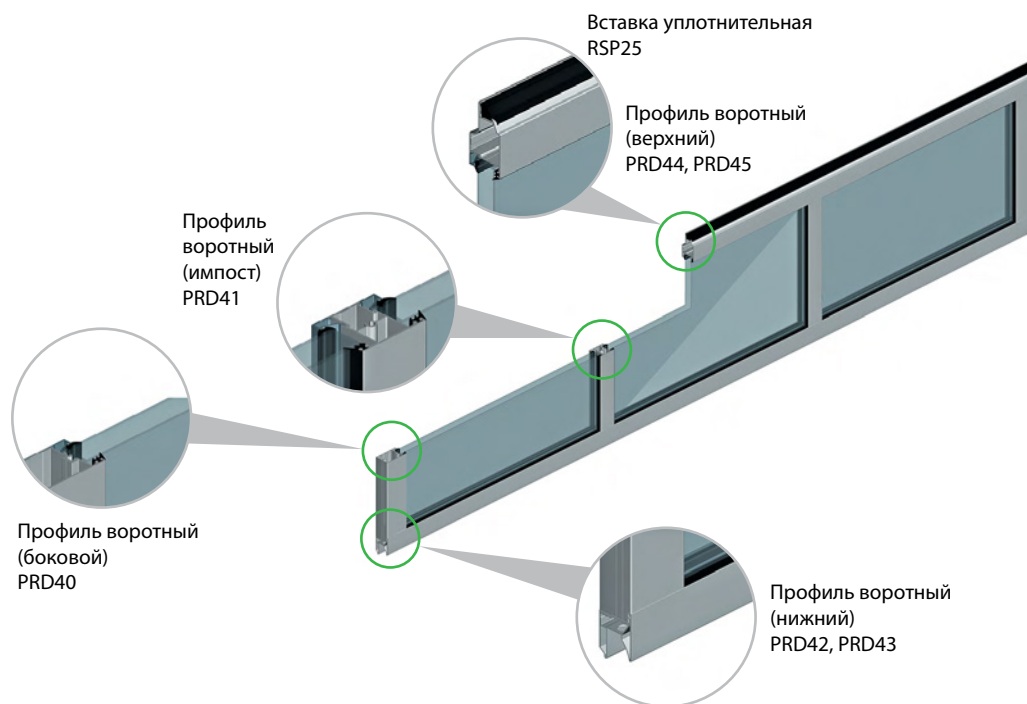
Материал оцинкованная сталь
 Покрытие полимерное
 Цвет бело-серый (близкий RAL 9002)
 Толщина, мм 1
 Единица измерения шт.



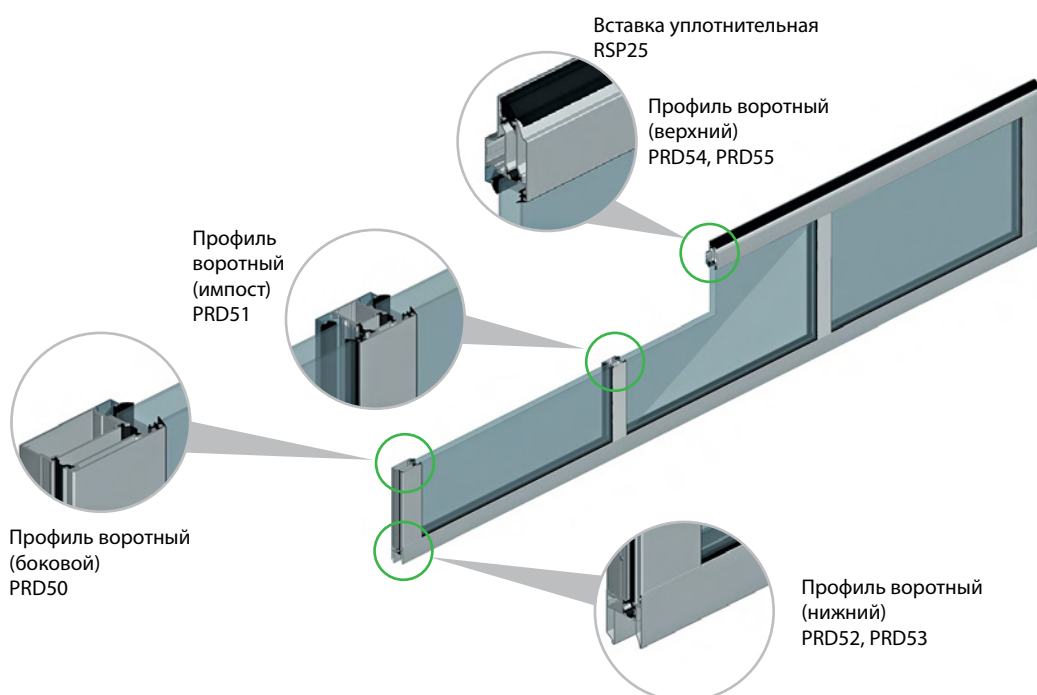
| Артикул | Код | Длина (L), мм | Вес, кг/шт. | Норма поставки, шт. | Розничная цена, € с НДС |
|-------------|-----------|---------------|-------------|---------------------|-------------------------|
| ЕС-45.450DL | 401321110 | 450 | 0,64 | 36 | 5,40 |
| ЕС-45.450DR | 401321210 | 450 | 0,64 | 36 | 5,40 |
| ЕС-45.500DL | 401341310 | 500 | 0,72 | 36 | 5,80 |
| ЕС-45.500DR | 401341410 | 500 | 0,72 | 36 | 5,80 |
| ЕС-45.625DL | 401391310 | 625 | 0,92 | 24 | 8,50 |
| ЕС-45.625DR | 401391410 | 625 | 0,92 | 24 | 8,50 |

АЛЮМИНИЕВЫЕ ПРОФИЛИ ДЛЯ ПАНОРАМНЫХ ПАНЕЛЕЙ

ТИПОВАЯ КОНСТРУКЦИЯ ПАНОРАМНОЙ ПАНЕЛИ ALUPRO



ТИПОВАЯ КОНСТРУКЦИЯ ПАНОРАМНОЙ ПАНЕЛИ ALUTHERM



АЛЮМИНИЕВЫЕ ПРОФИЛИ ДЛЯ ПАНОРАМНЫХ ПАНЕЛЕЙ

ТИПЫ ПАНОРАМНЫХ ПАНЕЛЕЙ И ВАРИАНТЫ ЗАПОЛНЕНИЯ
СЕРИЯ ALUPRO



Двойное остекление
26 мм



Одинарное остекление
2 (3) мм



Композитное заполнение
26 мм



Композитное заполнение
3 мм

ТИПЫ ПАНОРАМНЫХ ПАНЕЛЕЙ И ВАРИАНТЫ ЗАПОЛНЕНИЯ
СЕРИЯ ALUTHERM



Тройное заполнение
26 мм



Двойное заполнение
26 мм



Композитное заполнение
26 мм

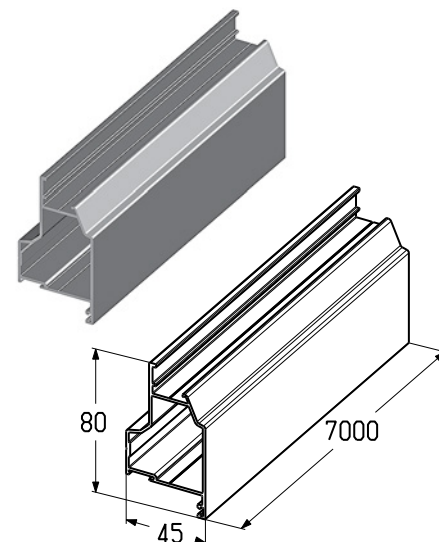
АЛЮМИНИЕВЫЕ ПРОФИЛИ ДЛЯ ПАНОРАМНЫХ ПАНЕЛЕЙ

Профиль воротный (верхний)

Используется для изготовления панорамных панелей AluPro.
Применяется совместно с сэндвич-панелью с рисунком «Микроволна».

| | |
|-------------------------|----------|
| Материал | алюминий |
| Длина, мм | 7000 |
| Вес, кг/м | 0,95 |
| Единица измерения | м |
| Норма поставки, м | 28 |

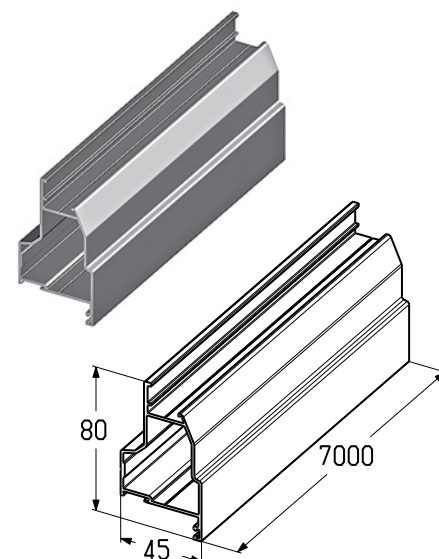
| Артикул | Код | Покрытие | Цвет* |
|---------|-----------|---------------|----------|
| PRD44 | 401130511 | Порошковое | RAL 9006 |
| | 401130512 | | RAL 9016 |
| | 401130517 | | RAL 8014 |
| | 401130514 | | RAL 5010 |
| | 401130291 | Анодированное | A00-D6 |

**Профиль воротный (верхний)**

Используется для изготовления панорамных панелей AluPro.
Применяется совместно с сэндвич-панелью с рисунком S-гофр.

| | |
|-------------------------|----------|
| Материал | алюминий |
| Длина, мм | 7000 |
| Вес, кг/м | 0,95 |
| Единица измерения | м |
| Норма поставки, м | 28 |

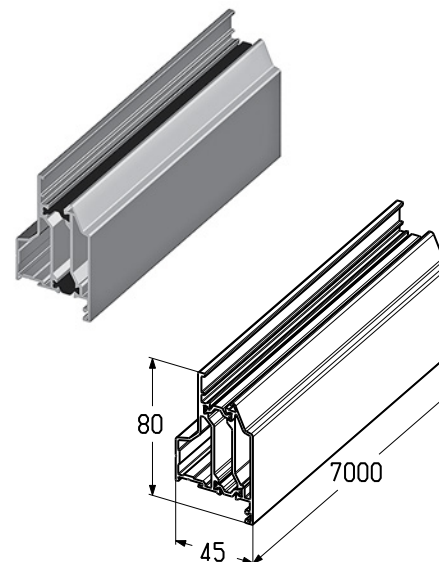
| Артикул | Код | Покрытие | Цвет* |
|---------|-----------|---------------|----------|
| PRD45 | 401130611 | Порошковое | RAL 9006 |
| | 401130612 | | RAL 9016 |
| | 401130617 | | RAL 8014 |
| | 401130614 | | RAL 5010 |
| | 401130391 | Анодированное | A00-D6 |

**Профиль воротный (верхний с термическим разделением)**

Используется для изготовления панорамных панелей AluTherm.
Применяется совместно с сэндвич-панелью с рисунком «Микроволна».

| | |
|-------------------------|----------|
| Материал | алюминий |
| Длина, мм | 7000 |
| Вес, кг/м | 1,46 |
| Единица измерения | м |
| Норма поставки, м | 28 |

| Артикул | Код | Цвет* |
|---------|-----------|----------|
| PRD54 | 401130811 | RAL 9006 |
| | 401130812 | RAL 9016 |
| | 401130817 | RAL 8014 |
| | 401130814 | RAL 5010 |



* Указанные цвета имеют близкое соответствие шкале RAL.

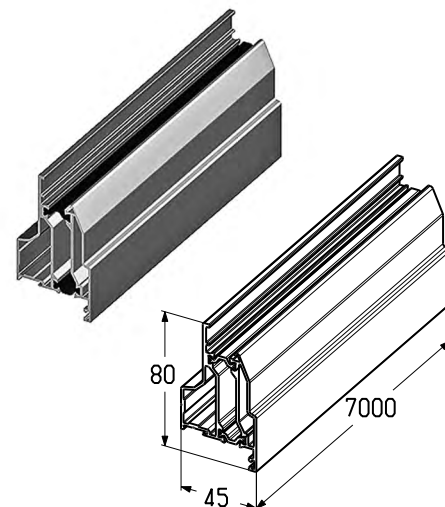
АЛЮМИНИЕВЫЕ ПРОФИЛИ ДЛЯ ПАНОРАМНЫХ ПАНЕЛЕЙ

Профиль воротный (верхний с термическим разделением)

Используется для изготовления панорамных панелей AluTherm.
Применяется совместно с сэндвич-панелью с рисунком S-гофр.

Материал алюминий
Длина, мм 7000
Вес, кг/м 1,46
Единица измерения м
Норма поставки, м 28

| Артикул | Код | Цвет* |
|---------|-----------|----------|
| PRD55 | 401130911 | RAL 9006 |
| | 401130912 | RAL 9016 |
| | 401130917 | RAL 8014 |
| | 401130914 | RAL 5010 |



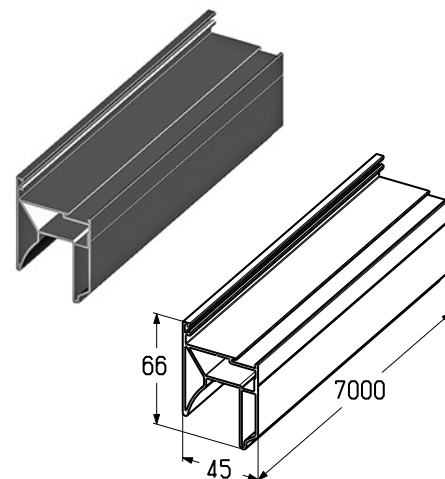
Профиль воротный (нижний)

Используется для изготовления панорамных панелей AluPro.
Применяется в панорамных воротах:

- шириной до 4000 мм;
- шириной от 5005 мм с установкой профиля усиливающего (PRG-20).

Материал алюминий
Длина, мм 7000
Вес, кг/м 1,09
Единица измерения м
Норма поставки, м 28

| Артикул | Код | Покрытие | Цвет* |
|---------|-----------|---------------|----------|
| PRD42 | 401110211 | Порошковое | RAL 9006 |
| | 401110212 | | RAL 9016 |
| | 401110217 | | RAL 8014 |
| | 401110217 | | RAL 5010 |
| | 401110291 | Анодированное | A00-D6 |

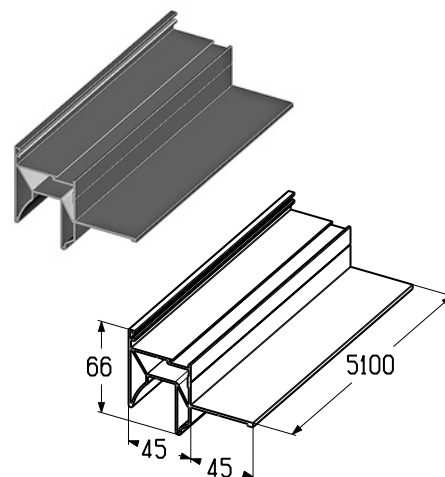


Профиль воротный (нижний)

Используется для изготовления панорамных панелей AluPro.
Применяется в панорамных воротах шириной от 4005 до 5000 мм.

Материал алюминий
Длина, мм 5100
Вес, кг/м 1,36
Единица измерения м
Норма поставки, м 20,24

| Артикул | Код | Покрытие | Цвет* |
|---------|-----------|---------------|----------|
| PRD43 | 401110311 | Порошковое | RAL 9006 |
| | 401110312 | | RAL 9016 |
| | 401110317 | | RAL 8014 |
| | 401110317 | | RAL 5010 |
| | 401110391 | Анодированное | A00-D6 |



* Указанные цвета имеют близкое соответствие шкале RAL.

АЛЮМИНИЕВЫЕ ПРОФИЛИ ДЛЯ ПАНОРАМНЫХ ПАНЕЛЕЙ

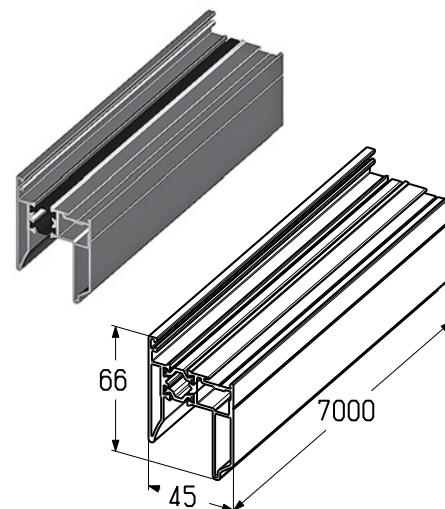
Профиль воротный (нижний с термическим разделением)

Используется для изготовления панорамных панелей AluTherm.

- шириной до 4000 мм;
- шириной от 5005 мм с установкой профиля усиливающего (PRG-20).

| | |
|-------------------------|----------|
| Материал | алюминий |
| Длина, мм | 7000 |
| Вес, кг/м | 1,30 |
| Единица измерения | м |
| Норма поставки, м | 28 |

| Артикул | Код | Цвет* |
|---------|-----------|----------|
| PRD52 | 401110511 | RAL 9006 |
| | 401110512 | RAL 9016 |
| | 401110517 | RAL 8014 |
| | 401110514 | RAL 5010 |

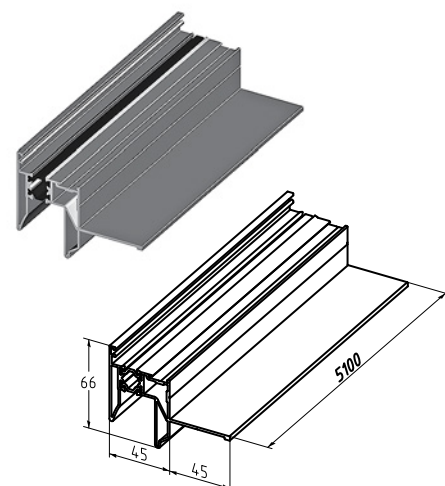
**Профиль воротный (нижний с термическим разделением)**

Используется для изготовления панорамных панелей AluTherm.

Применяется в панорамных воротах шириной от 4005 до 5000 мм.

| | |
|-------------------------|----------|
| Материал | алюминий |
| Длина, мм | 5100 |
| Вес, кг/м | 1,57 |
| Единица измерения | м |
| Норма поставки, м | 14 |

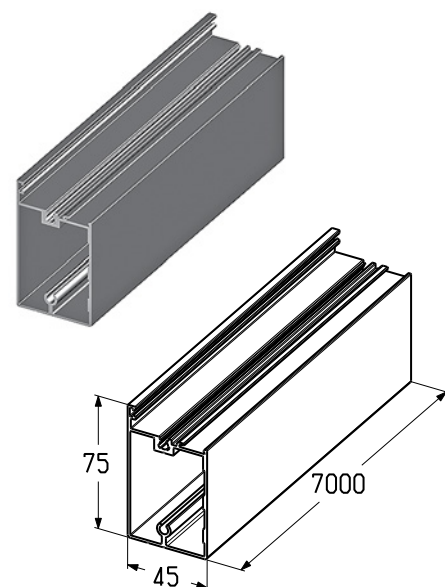
| Артикул | Код | Цвет* |
|---------|-----------|----------|
| PRD53 | 401110611 | RAL 9006 |
| | 401110612 | RAL 9016 |
| | 401110617 | RAL 8014 |
| | 401110614 | RAL 5010 |

**Профиль воротный (боковой)**

Используется для изготовления панорамных панелей AluPro.

| | |
|-------------------------|----------|
| Материал | алюминий |
| Длина, мм | 7000 |
| Вес, кг/м | 1,21 |
| Единица измерения | м |
| Норма поставки, м | 28 |

| Артикул | Код | Покрытие | Цвет* |
|---------|-----------|---------------|----------|
| PRD40 | 401120211 | Порошковое | RAL 9006 |
| | 401120212 | | RAL 9016 |
| | 401120217 | | RAL 8014 |
| | 401120214 | | RAL 5010 |
| | 401120291 | Анодированное | A00-D6 |



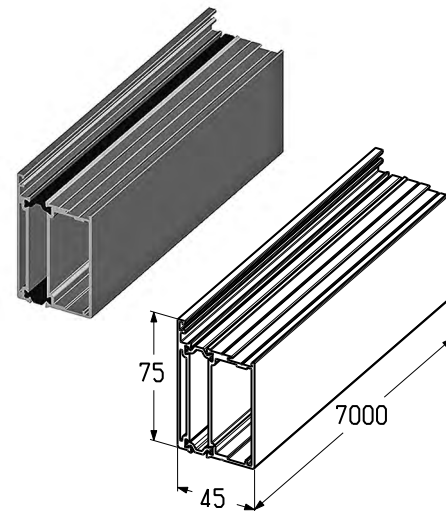
* Указанные цвета имеют близкое соответствие шкале RAL.

АЛЮМИНИЕВЫЕ ПРОФИЛИ ДЛЯ ПАНОРАМНЫХ ПАНЕЛЕЙ

Профиль воротный (боковой с термическим разделением)

Используется для изготовления панорамных панелей AluTherm.

Материал алюминий
 Длина, мм 7000
 Вес, кг/м 1,61
 Единица измерения м
 Норма поставки, м 14

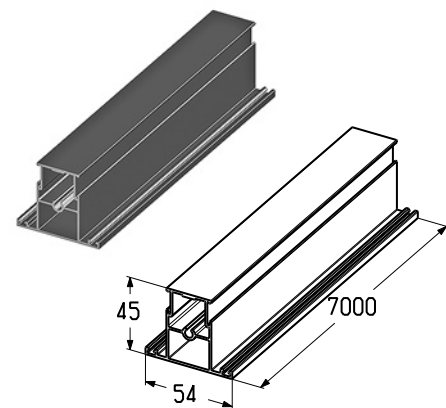


| Артикул | Код | Цвет* |
|---------|-----------|----------|
| PRD50 | 401120411 | RAL 9006 |
| | 401120412 | RAL 9016 |
| | 401120417 | RAL 8014 |
| | 401120414 | RAL 5010 |

Профиль воротный (импост)

Используется для изготовления панорамных панелей AluPro.

Материал алюминий
 Длина, мм 7000
 Вес, кг/м 0,87
 Единица измерения м
 Норма поставки, м 28

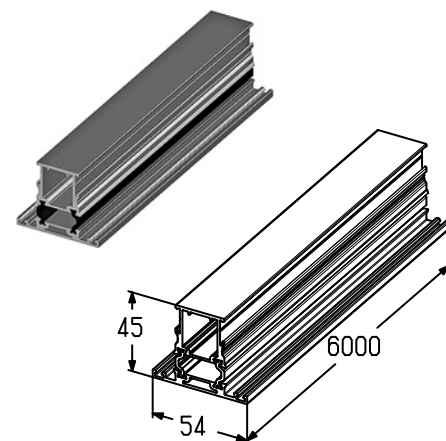


| Артикул | Код | Покрытие | Цвет* |
|---------|-----------|---------------|----------|
| PRD41 | 401140211 | Порошковое | RAL 9006 |
| | 401140212 | | RAL 9016 |
| | 401140217 | | RAL 8014 |
| | 401140214 | | RAL 5010 |
| | 401140191 | Анодированное | A00-D6 |

Профиль воротный (импост с термическим разделением)

Используется для изготовления панорамных панелей AluTherm.

Материал алюминий
 Длина, мм 6000
 Вес, кг/м 1,16
 Единица измерения м
 Норма поставки, м 24



| Артикул | Код | Цвет* |
|---------|-----------|----------|
| PRD51 | 401140411 | RAL 9006 |
| | 401140412 | RAL 9016 |
| | 401140417 | RAL 8014 |
| | 401140414 | RAL 5010 |

* Указанные цвета имеют близкое соответствие шкале RAL.

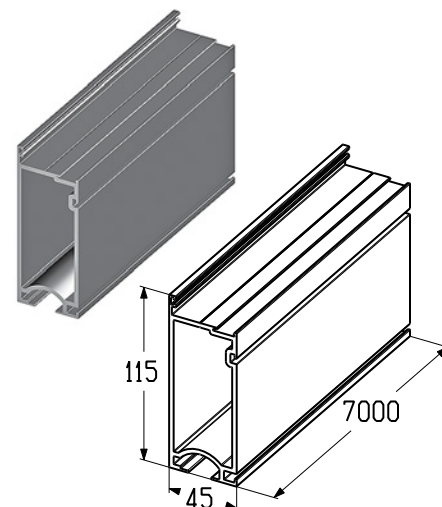
АЛЮМИНИЕВЫЕ ПРОФИЛИ ДЛЯ ПАНОРАМНЫХ ПАНЕЛЕЙ

Профиль воротный (нижний концевой)

Используется для изготовления панорамных панелей AluPro.

| | |
|-------------------------|----------|
| Материал | алюминий |
| Длина, мм | 7000 |
| Вес, кг/м | 2,62 |
| Единица измерения | м |
| Норма поставки, м | 14 |

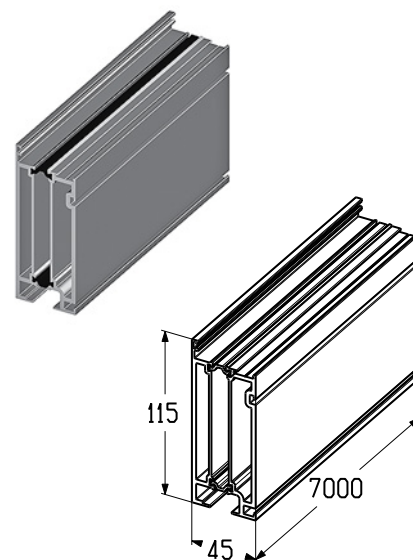
| Артикул | Код | Покрытие | Цвет* |
|---------|-----------|---------------|----------|
| PRD46 | 401410111 | Порошковое | RAL 9006 |
| | 401410112 | | RAL 9016 |
| | 401410117 | | RAL 8014 |
| | 401410114 | | RAL 5010 |
| | 401110491 | Анодированное | A00-D6 |

**Профиль воротный (нижний концевой с термическим разделением)**

Используется для изготовления панорамных панелей AluTherm.

| | |
|-------------------------|----------|
| Материал | алюминий |
| Длина, мм | 7000 |
| Вес, кг/м | 3,20 |
| Единица измерения | м |
| Норма поставки, м | 14 |

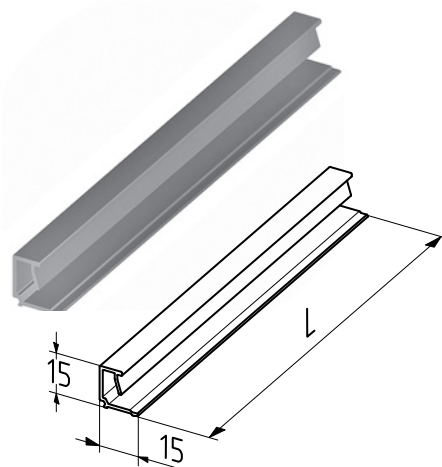
| Артикул | Код | Цвет* |
|---------|-----------|----------|
| PRD56 | 401490111 | RAL 9006 |
| | 401490112 | RAL 9016 |
| | 401490117 | RAL 8014 |
| | 401490114 | RAL 5010 |

**Профиль штапика**

Используется для изготовления панорамных панелей AluPro и AluTherm совместно со светопрозрачными или композитными вставками толщиной 26 мм.

| | |
|-------------------------|----------|
| Материал | Алюминий |
| Длина, мм | 6000 |
| Вес, кг/м | 0,15 |
| Единица измерения | м |
| Норма поставки, м | 96 |

| Артикул | Код | Цвет* Степень блеска |
|---------|-----------|----------------------|
| PRD91 | 402980631 | RAL 9005 30 |



* Указанные цвета имеют близкое соответствие шкале RAL.

АЛЮМИНИЕВЫЕ ПРОФИЛИ ДЛЯ ПАНОРАМНЫХ ПАНЕЛЕЙ

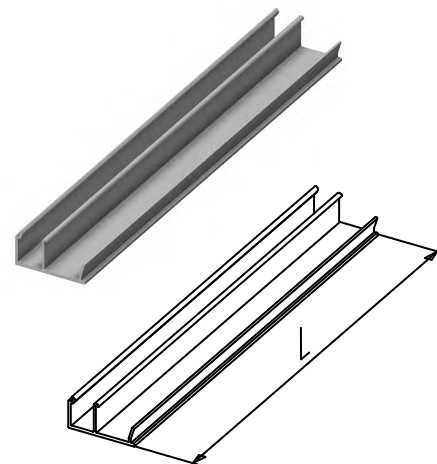
Профиль штапика

Используется для изготовления панорамных панелей AluPro совместно с:

- решеткой для панорамной панели стальной тянутой (GG-58);
- светопрозрачными вставки толщиной 3 мм;
- композитными панелями толщиной 3 мм.

| | |
|-------------------------|----------|
| Материал | Алюминий |
| Длина, мм | 6000 |
| Вес, кг/м | 0,236 |
| Единица измерения | м |
| Норма поставки, м | 96 |

| Артикул | Код | Цвет Степень блеска |
|---------|-----------|---------------------|
| PRD48 | 401150830 | RAL 9005 30 |

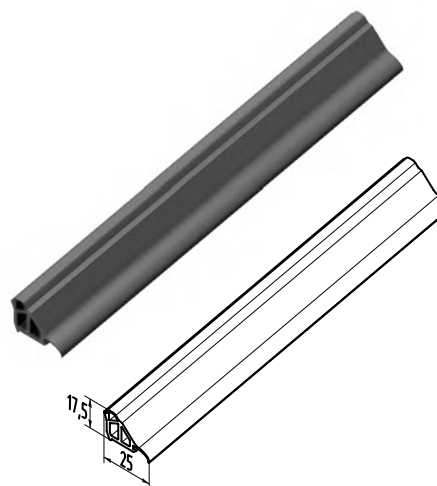


Вставка уплотнительная

Используется для изготовления панорамных панелей AluPro и AluTherm. Предназначена для установки в профиль воротный верхний (PRD44, PRD45, PRD54, PRD55).

| | |
|-------------------------|------|
| Материал | EPDM |
| Вес, кг/м | 0,34 |
| Единица измерения | м |
| Норма поставки, м | 100 |

| Артикул | Код |
|---------|-----------|
| RSP25 | 401520200 |



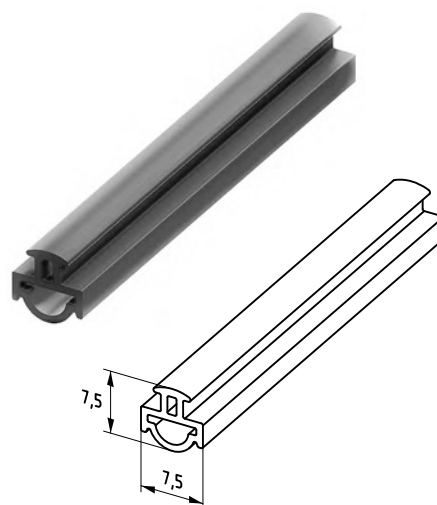
Уплотнитель резиновый

Используется для изготовления панорамных панелей AluPro и AluTherm.

Предназначен для установки с внешней стороны ворот совместно со светопрозрачной вставкой толщиной 26 мм, 25 мм, 3 мм или композитной вставкой толщиной 26 мм или 3 мм, решеткой стальной тянутой (GG-58) для заполнения панорамных секций.

| | |
|-------------------------|------|
| Материал | EPDM |
| Вес, кг/м | 0,05 |
| Единица измерения | м |
| Норма поставки, м | 500 |

| Артикул | Код |
|---------|----------|
| FRK07 | 10210600 |



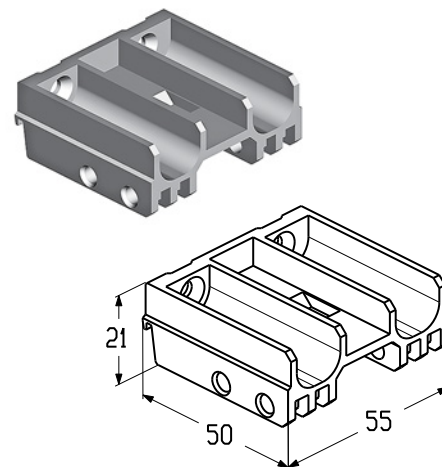
АЛЮМИНИЕВЫЕ ПРОФИЛИ ДЛЯ ПАНОРАМНЫХ ПАНЕЛЕЙ

Соединитель

Используется для изготовления панорамных панелей AluTherm.
Предназначен для соединения профиля воротного верхнего (PRD54, PRD55)
и профиля воротного бокового (PRD50).

Материал алюминий
Вес, кг/шт. 0,128
Единица измерения шт.
Норма поставки, шт. 100

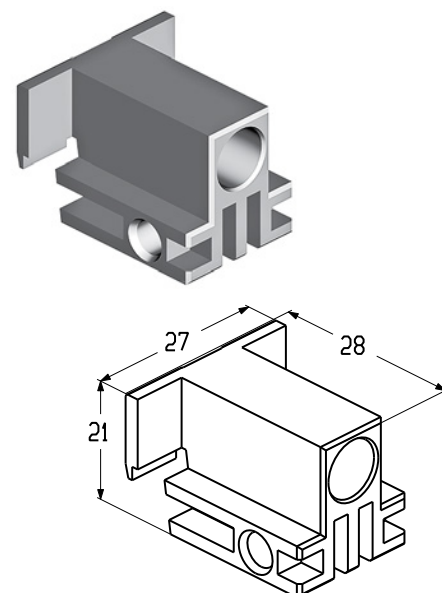
| Артикул | Код |
|---------|-----------|
| C1010 | 401190300 |

**Соединитель**

Используется для изготовления панорамных панелей AluTherm.
Предназначен для соединения профиля воротного верхнего (PRD54, PRD55)
и профиля воротного импоста (PRD51).

Материал алюминий
Вес, кг/шт. 0,03
Единица измерения шт.
Норма поставки, шт. 400

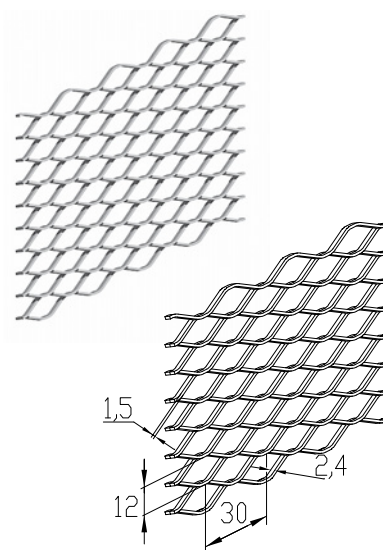
| Артикул | Код |
|---------|-----------|
| C1011 | 401190400 |

**Решетка для панорамной панели стальная**

Используется для заполнения панорамных панелей AluPro.

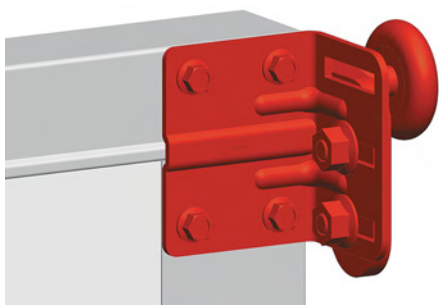
Материал оцинкованная сталь
Толщина, мм 4,0
Вес, кг/м² 0,44
Единица измерения м²
Норма поставки, м 3,125

| Артикул | Код |
|---------|-----------|
| GG-58 | 401192200 |

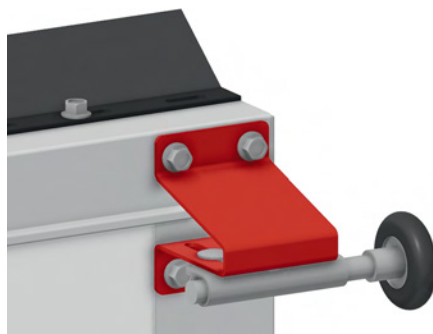


КРОНШТЕЙНЫ И ПЕТЛИ ДЛЯ СБОРКИ ПОЛОТНА ВОРОТ

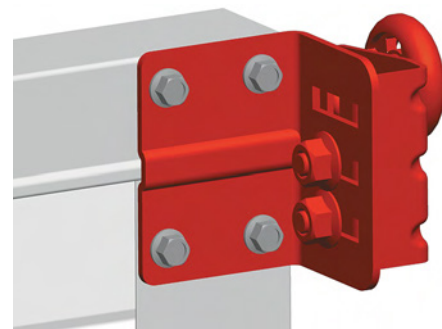
УСТАНОВКА КРОНШТЕЙНА ВЕРХНЕГО



Кронштейн верхний для гаражных ворот с торсионными пружинами и промышленных ворот



Кронштейн верхний для промышленных ворот



Кронштейн верхний для гаражных ворот с пружинами растяжения

Кронштейн верхний

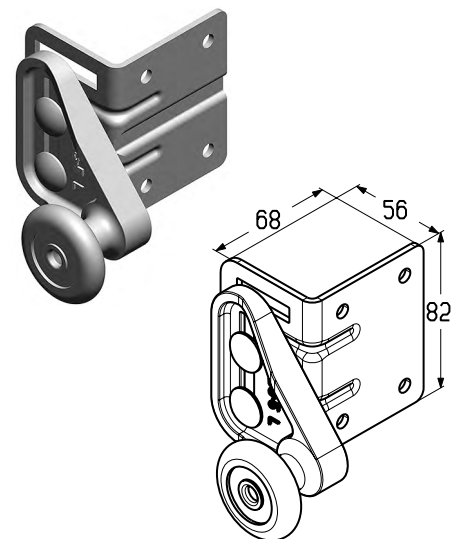
Предназначен для установки на верхнюю панель полотна ворот.

Используется:

- в гаражных воротах стандартного и низкого типов монтажа;
- в промышленных воротах низкого и наклонного низкого типов монтажа.

Материал нержавеющая сталь/алюминий
 Вес, кг/шт. 0,359
 Единица измерения шт.
 Норма поставки, шт. 30

| Артикул | Код | Примечание | Ось ролика |
|------------|-----------|------------|-----------------------|
| RBG900L | 401210000 | Левый | Из оцинкованной стали |
| RBG900R | 401210100 | Правый | |
| RBG900L-SS | 401210200 | Левый | Из нержавеющей стали |
| RBG900R-SS | 401210300 | Правый | |



Кронштейн роликовый верхний

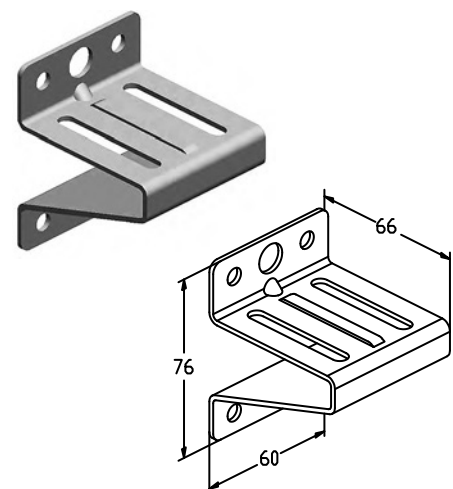
Предназначен для установки на верхнюю панель полотна ворот.

Используется:

- в гаражных воротах высокого типа монтажа;
- в промышленных воротах всех типов монтажа (кроме низких типов монтажа).

Материал нержавеющая сталь
 Вес, кг/шт. 0,157
 Единица измерения шт.
 Норма поставки, шт. 90

| Артикул | Код |
|------------|-----------|
| RBI-45.127 | 401211500 |



КРОНШТЕЙНЫ И ПЕТЛИ ДЛЯ СБОРКИ ПОЛОТНА ВОРОТ

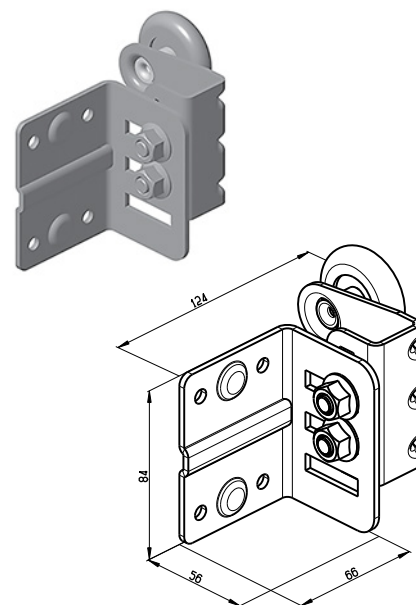
УСТАНОВКА КРОНШТЕЙНА ВЕРХНЕГО

Кронштейн верхний

Предназначен для установки на верхнюю панель полотна ворот. Используется в гаражных воротах с пружинами растяжения.

Вес, кг/шт. 0,418
 Единица измерения шт.
 Норма поставки, шт. 20

| Артикул | Код | Примечание | Материал |
|------------|-----------|------------|-------------------|
| RBG-900TNL | 401211000 | Левый | Нержавеющая сталь |
| RBG-900TNR | 401211100 | Правый | |



1.1

1.2

1.3

1.4

1.5

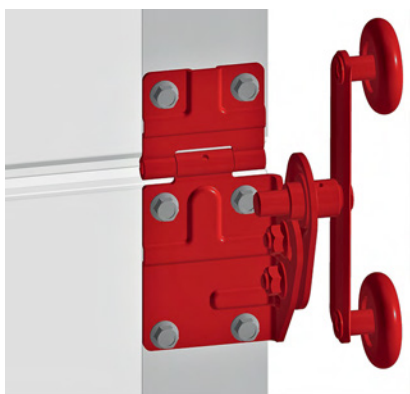
2

3

4

КРОНШТЕЙНЫ И ПЕТЛИ ДЛЯ СБОРКИ ПОЛОТНА ВОРОТ

УСТАНОВКА КРОНШТЕЙНА БОКОВОГО



Кронштейн боковой для гаражных ворот



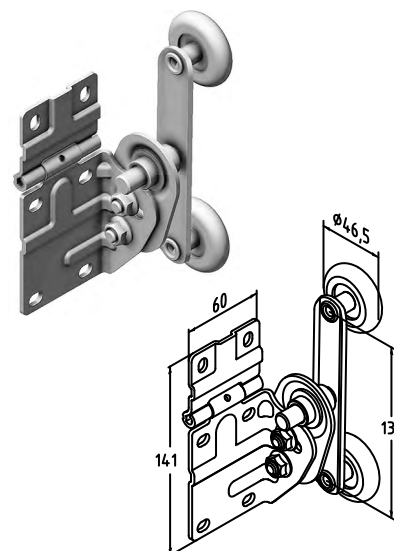
Кронштейн боковой для промышленных ворот

Кронштейн боковой

Предназначен для установки на промежуточные панели полотна ворот.
Используется в гаражных воротах всех типов монтажа (кроме высокого с верхним расположением вала) при ширине проема до 5 м включительно.

Материал нержавеющая сталь
Вес, кг/шт. 0,661
Единица измерения шт.
Норма поставки, шт. 24

| Артикул | Код | Примечание | Ось ролика |
|-------------|-----------|------------|----------------------|
| RBP-700L-SS | 406136709 | Левый | Из нержавеющей стали |
| RBP-700R-SS | 406136710 | Правый | |



Кронштейн боковой

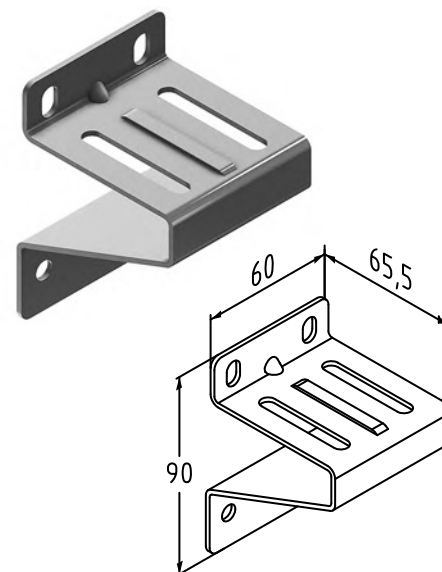
Предназначен для установки на промежуточную панель полотна ворот.

Используется:

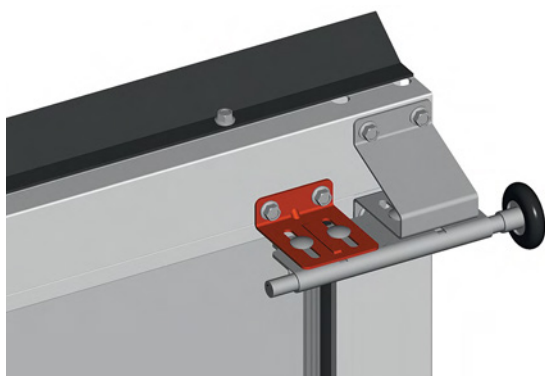
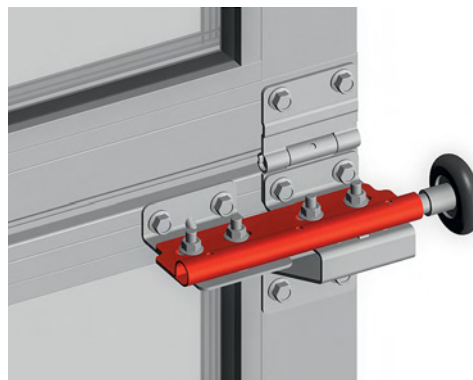
- в гаражных воротах высокого типа монтажа, в гаражных воротах стандартного и низкого монтажа при ширине проема более 5 м;
- в промышленных воротах всех типов монтажа.

Материал нержавеющая сталь
Вес, кг/шт. 0,154
Единица измерения шт.
Норма поставки, шт. 145

| Артикул | Код |
|---------|-----------|
| RBI123 | 401220400 |



КРОНШТЕЙНЫ И ПЕТЛИ ДЛЯ СБОРКИ ПОЛОТНА ВОРОТ

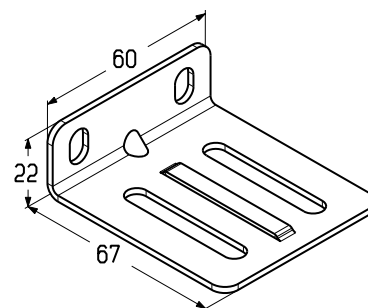
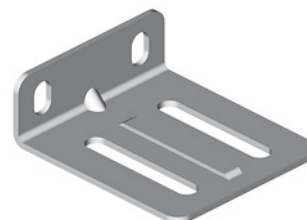
УСТАНОВКА КРОНШТЕЙНА БОКОВОГО ДОПОЛНИТЕЛЬНОГО
КРОНШТЕЙН БОКОВОЙ ДЛЯ ПАНОРАМНЫХ ВОРОТУстановка
на верхнюю панельУстановка
на промежуточные панели

Кронштейн боковой дополнительный

Предназначен для установки на промежуточные и верхнюю панорамные панели AluPro и AluTherm. Устанавливается совместно с кронштейном боковым (RBI123) и кронштейном верхним (RBI-45.127). Используется в гаражных и промышленных воротах с панорамными панелями при ширине проема более 5 м.

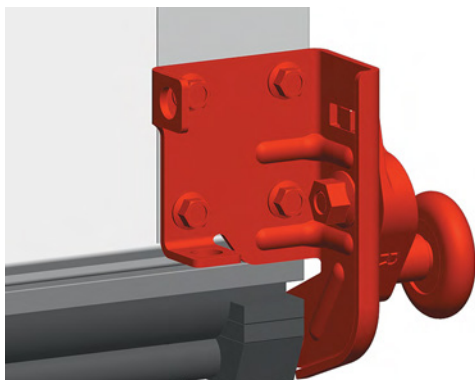
Материал нержавеющая сталь
Вес, кг/шт. 0,07
Единица измерения шт.

| Артикул | Код |
|----------|---------|
| 11043124 | 4000130 |

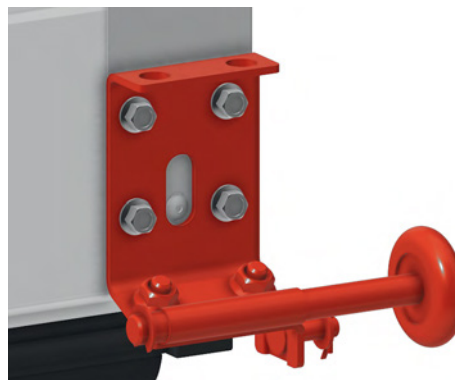


КРОНШТЕЙНЫ И ПЕТЛИ ДЛЯ СБОРКИ ПОЛОТНА ВОРОТ

УСТАНОВКА КРОНШТЕЙНА НИЖНЕГО



Кронштейн нижний для гаражных ворот с торсионными пружинами



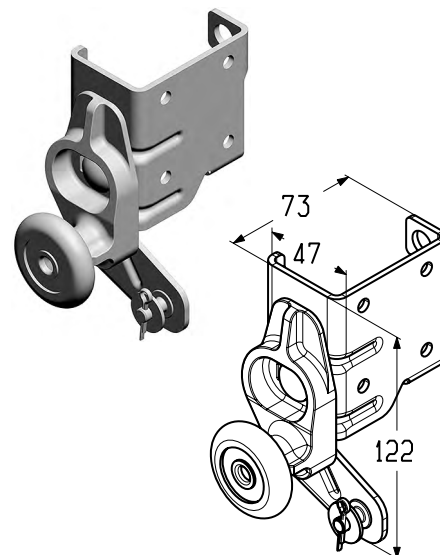
Кронштейн нижний для гаражных ворот с пружинами растяжения

Кронштейн нижний левый Кронштейн нижний правый

Предназначен для установки на нижнюю панель полотна ворот. Используется в гаражных воротах с торсионными пружинами.

Материал нержавеющая сталь/алюминий
Вес, кг/шт. 0,419
Единица измерения шт.
Норма поставки, шт. 30

| Артикул | Код | Примечание | Ось ролика |
|------------|-----------|------------|--------------------|
| RBG100L | 401231200 | Левый | Оцинкованная сталь |
| RBG100R | 401231300 | Правый | |
| RBG100L-SS | 401231400 | Левый | Нержавеющая сталь |
| RBG100R-SS | 401231500 | Правый | |

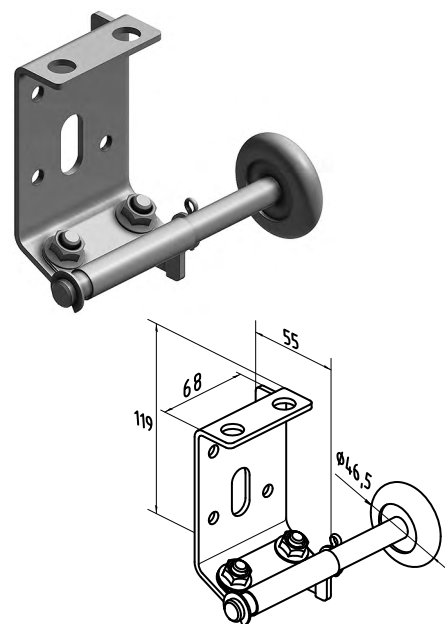


Кронштейн нижний левый Кронштейн нижний правый

Предназначен для установки на нижнюю панель полотна ворот. Используется в гаражных воротах с пружинами растяжения.

Вес, кг/шт. 0,491
Единица измерения шт.
Норма поставки, шт. 40

| Артикул | Код | Примечание | Материал |
|------------|-----------|------------|-------------------|
| RBG-150TNL | 406136713 | Левый | Нержавеющая сталь |
| RBG-150TNR | 406136714 | Правый | |



КРОНШТЕЙНЫ И ПЕТЛИ ДЛЯ СБОРКИ ПОЛОТНА ВОРОТ

УСТАНОВКА КРОНШТЕЙНА НИЖНЕГО



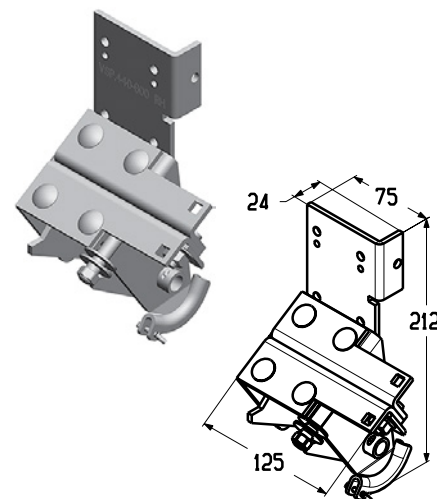
Кронштейн нижний для промышленных ворот

Кронштейн нижний

Предназначен для защиты от падения полотна промышленных ворот при обрыве троса. Устанавливается на нижнюю панель полотна ворот при ширине до 5 м включительно. Используется в промышленных воротах всех типов монтажа.

Материал оцинкованная сталь
 Вес, кг/шт. 1,76
 Единица измерения шт.
 Норма поставки, шт. 8

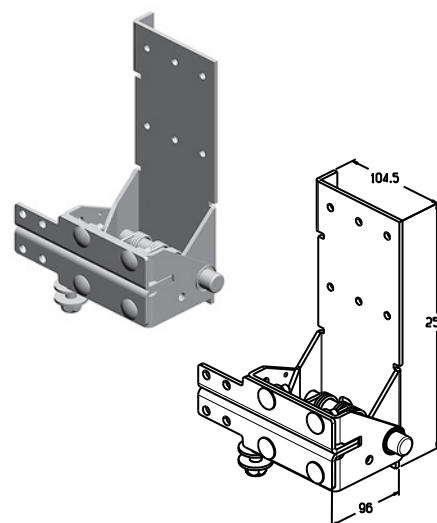
| Артикул | Код | Примечание |
|---------|-----------|------------|
| RBI446L | 401230400 | Левый |
| RBI446R | 401230500 | Правый |

**Кронштейн роликовый нижний**

Предназначен для защиты от падения полотна промышленных ворот при обрыве троса. Устанавливается на нижнюю панель полотна ворот при ширине более 5 м. Используется в промышленных воротах всех типов монтажа.

Материал оцинкованная сталь
 Вес, кг/шт. 2,56
 Единица измерения шт.

| Артикул | Код | Примечание |
|--------------|-----------|------------|
| RBI-45.110DL | 401233000 | Левый |
| RBI-45.110DR | 401233100 | Правый |

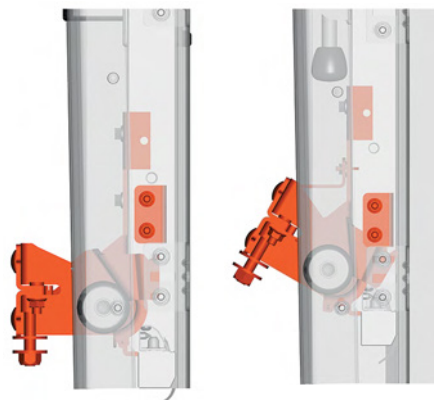


КРОНШТЕЙНЫ И ПЕТЛИ ДЛЯ СБОРКИ ПОЛОТНА ВОРОТ

УСТАНОВКА КРОНШТЕЙНА РОЛИКОВОГО НИЖНЕГО ДЛЯ ПРОМЫШЛЕННЫХ ВОРОТ



Кронштейн роликовый нижний (RBI-45.100L/R)



Кронштейн роликовый нижний (RBI-45.120L/R)

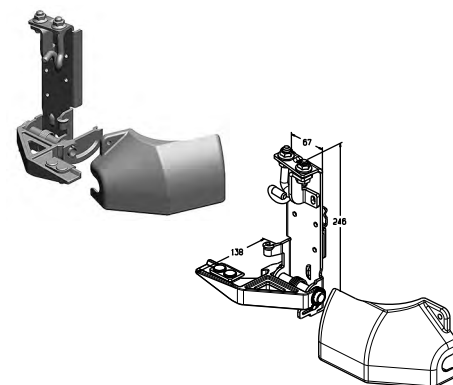
Кронштейн роликовый нижний

Предназначен:

- для защиты от падения полотна промышленных ворот при обрыве троса;
- для защиты промышленных ворот с навальным электроприводом от поддомкрачивания;
- для регулировки натяжения троса.

Устанавливается на нижнюю панель полотна ворот при ширине до 5 м включительно или площади полотна до 25 м². Используется в промышленных воротах всех типов монтажа.

Материал оцинкованная сталь
Вес, кг/шт. 1,74
Единица измерения шт.



| Артикул | Код | Примечание |
|-------------|-----------|------------|
| RBI-45.100L | 402602000 | Левый |
| RBI-45.100R | 402602100 | Правый |

Кронштейн нижний

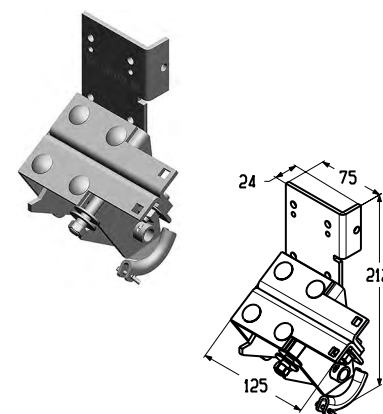
Предназначен:

- для защиты от падения полотна промышленных ворот при обрыве троса;
- для защиты промышленных ворот с навальным электроприводом от поддомкрачивания.

Устанавливается на нижнюю панель полотна ворот при ширине до 5 м включительно.

Используется в промышленных автоматизированных воротах всех типов монтажа.

Материал оцинкованная сталь
Вес, кг/шт. 1,76
Единица измерения шт.
Норма поставки, шт. 8



| Артикул | Код | Примечание |
|----------|-----------|------------|
| RBI446ML | 401230600 | Левый |
| RBI446MR | 401230700 | Правый |

Кронштейн роликовый нижний

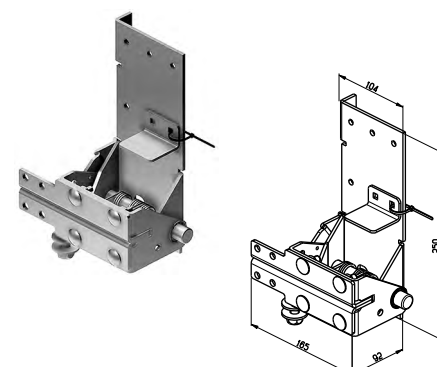
Предназначен:

- для защиты от падения полотна промышленных ворот при обрыве троса;
- для защиты промышленных ворот с навальным электроприводом от поддомкрачивания;

Устанавливается на нижнюю панель полотна ворот при ширине более 5 м.

Используется в промышленных автоматизированных воротах всех типов монтажа.

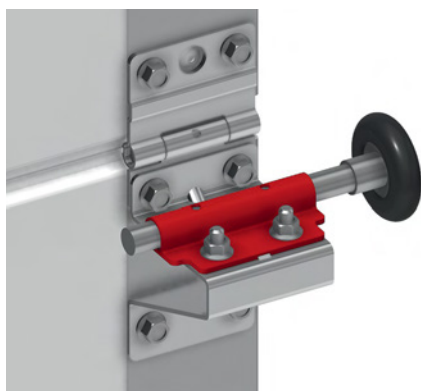
Материал оцинкованная сталь
Вес, кг/шт. 2,56
Единица измерения шт.



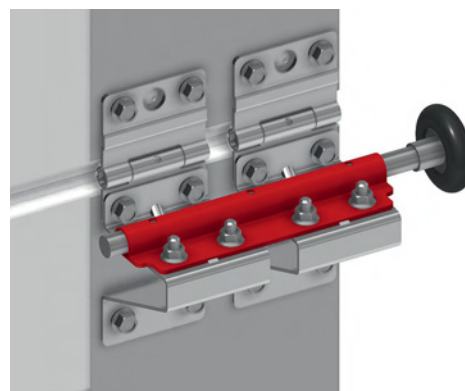
| Артикул | Код | Примечание |
|--------------|-----------|------------|
| RBI-45.120DL | 401234000 | Левый |
| RBI-45.120DR | 401234100 | Правый |

КРОНШТЕЙНЫ И ПЕТЛИ ДЛЯ СБОРКИ ПОЛОТНА ВОРОТ

УСТАНОВКА НАКЛАДКИ РОЛИКОВОЙ



Накладка роликовая



Накладка роликовая дуплексная

Накладка роликовая

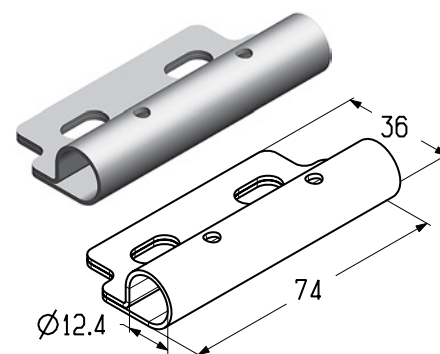
Предназначена для установки ролика ходового (R-130-12-G, R-130-12-SS) на кронштейн боковой (RBI123) на промежуточные панели полотна ворот.

Используется:

- в гаражных воротах высокого типа монтажа;
- в промышленных воротах всех типов монтажа.

Материал нержавеющая сталь
 Вес, кг/шт. 0,048
 Единица измерения шт.
 Норма поставки, шт. 400

| Артикул | Код |
|---------|-----------|
| RP112 | 401240000 |

**Накладка роликовая**

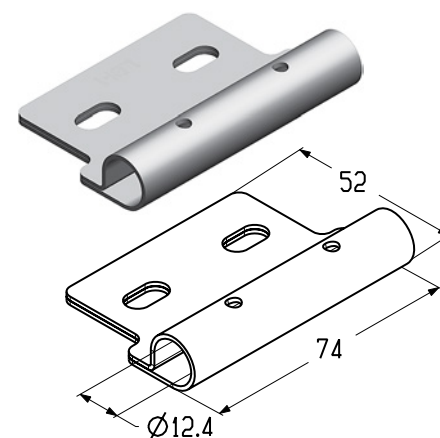
Предназначена для установки ролика ходового (R-130-12-G, R-130-12-SS) на кронштейн верхний (RBI-45.127) на верхнюю панель полотна ворот.

Используется:

- в гаражных воротах высокого типа монтажа;
- в промышленных воротах всех типов монтажа.

Материал нержавеющая сталь
 Вес, кг/шт. 0,06
 Единица измерения шт.
 Норма поставки, шт. 100

| Артикул | Код |
|---------|-----------|
| RP113 | 401240100 |



КРОНШТЕЙНЫ И ПЕТЛИ ДЛЯ СБОРКИ ПОЛОТНА ВОРОТ

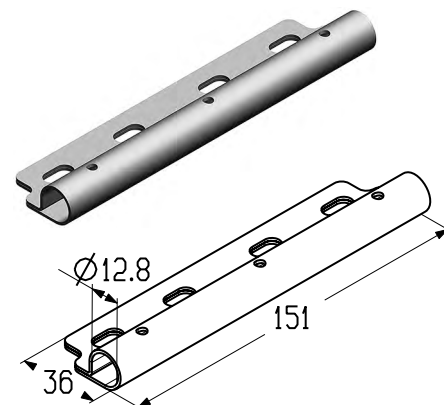
Накладка роликовая дуплексная промежуточная

Предназначена для установки ролика ходового (R-205-12-G, R-205-12-SS, R-205-12-GG) на двойной кронштейн боковой (RBI123) на промежуточные панели полотна ворот.

Используется в гаражных воротах высокого типа монтажа, стандартного и низкого типов монтажа при ширине проема более 5 м, в промышленных воротах всех типов монтажа при ширине проема более 5 м.

Материал нержавеющая сталь
 Вес, кг/шт. 0,102
 Единица измерения шт.
 Норма поставки, шт. 250

| Артикул | Код |
|---------|-----------|
| RP121 | 401240200 |



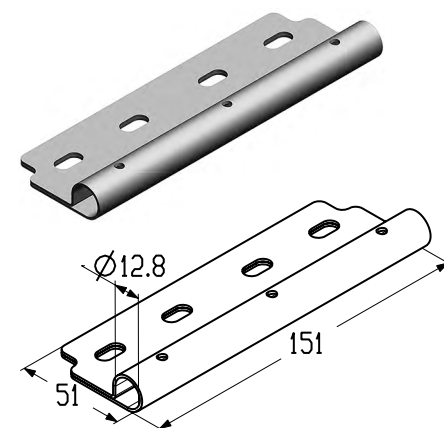
Накладка роликовая дуплексная верхняя

Предназначена для установки ролика ходового (R-205-12-G, R-205-12-SS, R-205-12-GG) на двойной кронштейн верхний (RBI-45.127) на верхнюю панель полотна ворот.

Используется в гаражных воротах высокого типа монтажа и в промышленных воротах всех типов монтажа при ширине проема более 5 м.

Материал нержавеющая сталь
 Вес, кг/шт. 0,15
 Единица измерения шт.
 Норма поставки, шт. 200

| Артикул | Код |
|---------|-----------|
| RP122 | 401240300 |



Петля промежуточная

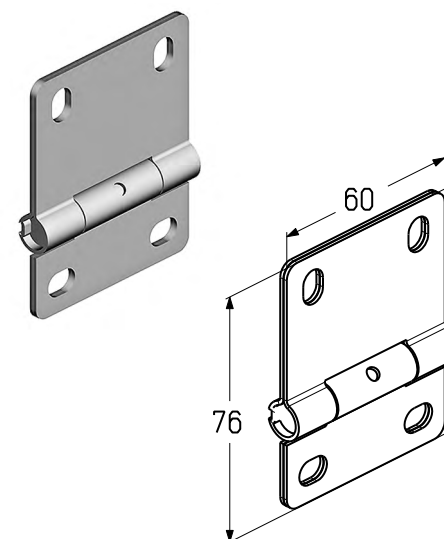
Предназначена для соединения панелей полотна ворот (не устанавливается на торцы панелей совместно с кронштейном боковым RBI123).

Используется без усиливающего профиля (PRG-19, PRG-20):

- в гаражных воротах с торсионными пружинами всех типов монтажа и воротах с пружинами растяжения;
- в промышленных воротах всех типов монтажа;
- при соединении панорамных секций серии AluPro или AluTherm.

Материал нержавеющая сталь
 Вес, кг/шт. 0,111
 Единица измерения шт.
 Норма поставки, шт. 288

| Артикул | Код |
|---------|-----------|
| IN113 | 401190500 |



КРОНШТЕЙНЫ И ПЕТЛИ ДЛЯ СБОРКИ ПОЛОТНА ВОРОТ

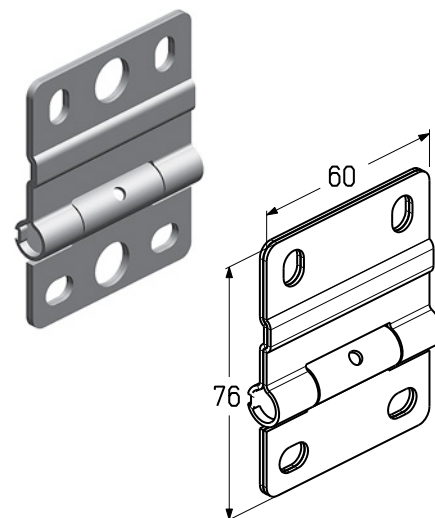
Петля промежуточная

Предназначен для соединения панелей совместно с кронштейном боковым (RBI123). Используется:

- в гаражных воротах с торсионными пружинами всех типов монтажа;
- в промышленных воротах всех типов монтажа;
- при соединении панорамных секций серии AluPro или AluTherm.

Материал нержавеющая сталь
 Вес, кг/шт. 0,11
 Единица измерения шт.
 Норма поставки, шт. 288

| Артикул | Код |
|---------|-----------|
| ИН-114 | 401190600 |

**Петля промежуточная**

Предназначена для соединения сэндвич-панелей полотна ворот (не устанавливается на торцы панелей совместно с кронштейном боковым RBI123).

Используется совместно с усиливающим профилем (PRG-19) в:

- гаражных воротах с торсионными пружинами всех типов монтажа;
- промышленных воротах всех типов монтажа.

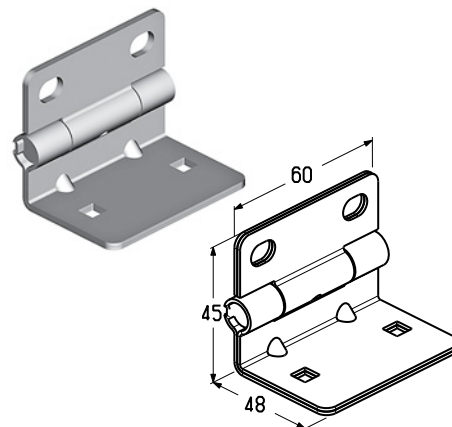
Предназначена для соединения панорамных панелей серии AluPro и AluTherm (не устанавливается на торцы панелей совместно с кронштейном боковым RBI123).

Устанавливается совместно:

- с профилем воротным (PRD43, PRD53) при ширине проема от 4,005 м до 5 м;
- с профилем усиливающим PRG20 при ширине проема более 5 м.

Материал нержавеющая сталь
 Вес, кг/шт. 0,11
 Единица измерения шт.
 Норма поставки, шт. 300

| Артикул | Код |
|---------|-----------|
| ИН111 | 401190100 |



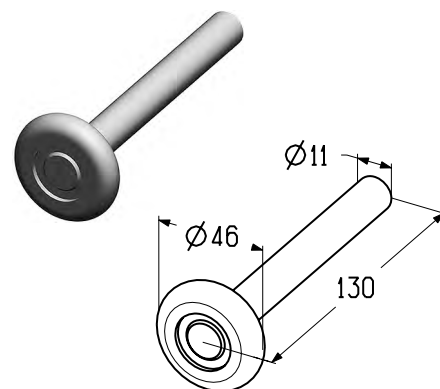
РОЛИКИ ХОДОВЫЕ

Ролик ходовой

Предназначен для установки в кронштейн нижний (RBI446L/R, RBI446ML/R).
Используется в промышленных воротах всех типов монтажа.

| | |
|---------------------|-----|
| Диаметр оси, мм | 11 |
| Длина ролика, мм | 130 |
| Единица измерения | шт. |
| Норма поставки, шт. | 100 |

| Артикул | Код | Вес, кг/шт. | Ось ролика |
|-------------|-----------|-------------|--------------------|
| R-130-11-G | 401920000 | 0,143 | Оцинкованная сталь |
| R-130-11-SS | 401920100 | 0,146 | Нержавеющая сталь |
| R-130-11-GG | 401920800 | 0,180 | Оцинкованная сталь |

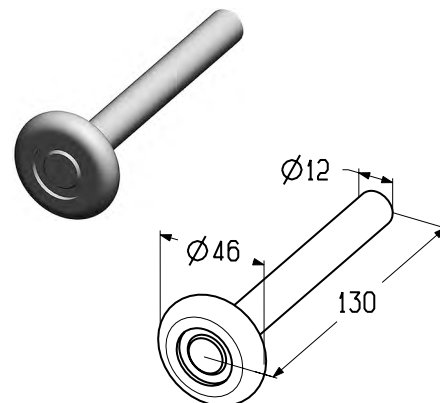


Ролик ходовой

Предназначен для установки в накладку роликую (RP112, RP113) на кронштейн боковой (RBI123) и кронштейн верхний (RBI-45.127).
Используется в промышленных воротах всех типов монтажа.

| | |
|---------------------|-----|
| Диаметр оси, мм | 12 |
| Длина ролика, мм | 130 |
| Единица измерения | шт. |
| Норма поставки, шт. | 100 |

| Артикул | Код | Вес, кг/шт. | Ось ролика |
|-------------|-----------|-------------|--------------------|
| R-130-12-G | 401920200 | 0,156 | Оцинкованная сталь |
| R-130-12-SS | 401920300 | 0,168 | Нержавеющая сталь |

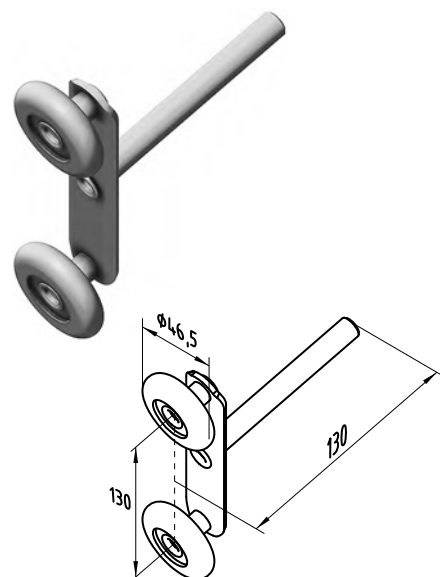


Ролик ходовой

Предназначен для установки в накладку роликую (RP112, RP113) на кронштейн боковой (RBI123) и кронштейн верхний (RBI-45.127).
Используется в гаражные ворота высокого типа монтажа.

| | |
|---------------------|-----|
| Диаметр оси, мм | 12 |
| Длина ролика, мм | 130 |
| Единица измерения | шт. |
| Норма поставки, шт. | 40 |

| Артикул | Код | Вес, кг/шт. | Ось ролика |
|---------------|-----------|-------------|-------------------|
| R-130-12-SS-P | 416000019 | 0,305 | Нержавеющая сталь |



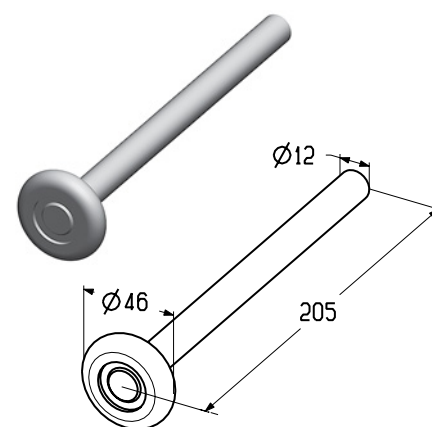
РОЛИКИ ХОДОВЫЕ

Ролик ходовой

Предназначен для установки в накладку роликую (RP121, RP122) на двойной кронштейн боковой (RBI123), двойной кронштейн верхний (RBI-45.127), кронштейн нижний (RBI-45.100DL/R, RBI-45.110DL/R, RBI-45.120L/R). Используется в гаражных и промышленных воротах всех типов монтажа шириной от 5,005 до 6 м.

| | |
|---------------------|-----|
| Диаметр оси, мм | 12 |
| Длина ролика, мм | 205 |
| Единица измерения | шт. |
| Норма поставки, шт. | 100 |

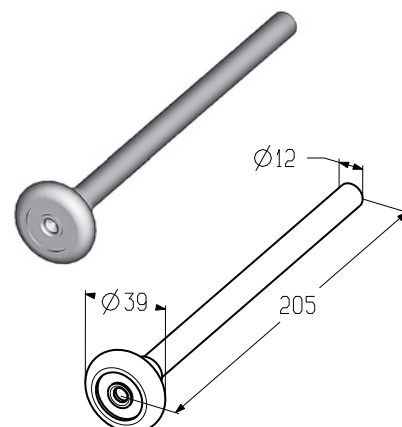
| Артикул | Код | Вес, кг/шт. | Ось ролика |
|-------------|-----------|-------------|--------------------|
| R-205-12-G | 401920400 | 0,224 | Оцинкованная сталь |
| R-205-12-SS | 401920500 | 0,228 | Нержавеющая сталь |

**Ролик ходовой**

Предназначен для установки в накладку роликую (RP121, RP122) на двойной кронштейн боковой (RBI123), двойной кронштейн верхний (RBI-45.127), кронштейн нижний (RBI-45.100DL/R, RBI-45.110DL/R, RBI-45.120L/R). Используется в промышленных воротах всех типов монтажа шириной более 6 м, за исключением ворот, в состав которых входит комплект для помещений с повышенной влажностью.

| | |
|---------------------|-----|
| Диаметр оси, мм | 12 |
| Длина ролика, мм | 205 |
| Единица измерения | шт. |
| Норма поставки, шт. | 100 |

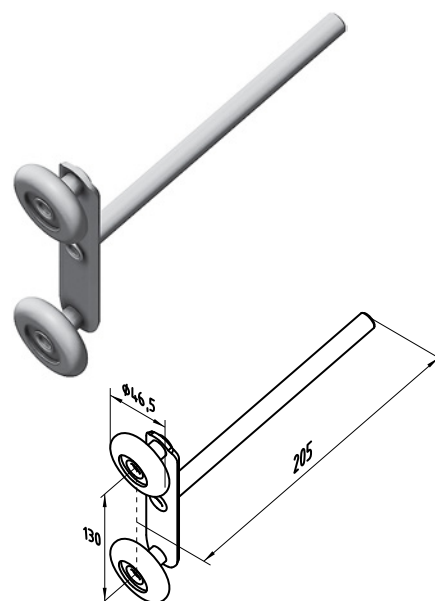
| Артикул | Код | Вес, кг/шт. | Ось ролика |
|-------------|-----------|-------------|--------------------|
| R-205-12-GG | 401920900 | 0,255 | Оцинкованная сталь |

**Ролик ходовой**

Предназначен для установки в накладку роликую (RP121, RP122) на двойной кронштейн боковой (RBI123), двойной кронштейн верхний (RBI-45.127). Используется в гаражных воротах всех типов монтажа шириной от 5,005 до 6 м.

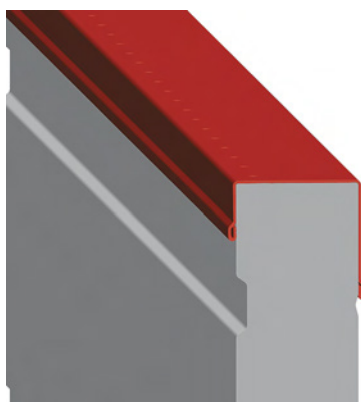
| | |
|---------------------|-----|
| Диаметр оси, мм | 12 |
| Длина ролика, мм | 205 |
| Единица измерения | шт. |
| Норма поставки, шт. | 30 |

| Артикул | Код | Вес, кг/шт. | Ось ролика |
|---------------|-----------|-------------|-------------------|
| R-205-12-SS-P | 416000020 | 0,370 | Нержавеющая сталь |

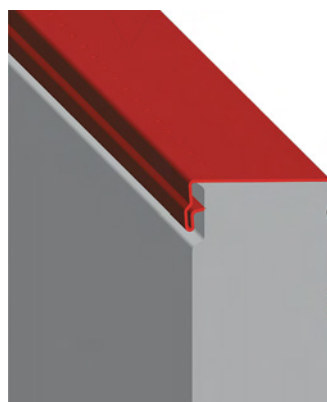


ПРОФИЛИ ДЛЯ ПОЛОТНА ВОРОТ

УСТАНОВКА ПРОФИЛЯ КОНЦЕВОГО ВЕРХНЕГО



**Профиль концевой верхний
PRG-14**



**Профиль концевой верхний
PRG-15**

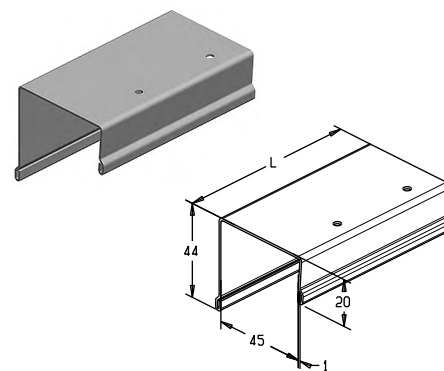
Профиль концевой (верхний)

Предназначен для установки на верхнюю панель полотна ворот.

Используется в:

- гаражных воротах с пружинами растяжения и торсионными пружинами всех типов монтажа;
- промышленных воротах всех типов монтажа.

Материал оцинкованная сталь
 Покрытие полимерное
 Цвет бело-серый (близкий RAL 9002)
 Вес, кг/м 0,95
 Единица измерения м



| Артикул | Код | Длина, мм | Норма поставки, м |
|---------|-----------|-----------|-------------------|
| PRG-14 | 401411310 | 5720 | 572 |
| | | 7040 | 704 |
| | | 10040 | 1004 |

Профиль концевой (верхний)

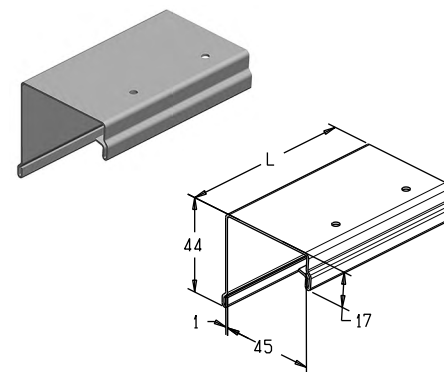
Предназначен для установки на верхнюю панель полотна ворот.

Используется в:

- гаражных воротах с пружинами растяжения и торсионными пружинами всех типов монтажа;
- промышленных воротах всех типов монтажа.

Устанавливается на сэндвич-панель с горизонтальным гофром в том случае, если подрезка панели попадает на паз.

Материал оцинкованная сталь
 Покрытие полимерное
 Цвет бело-серый (близкий RAL 9002)
 Вес, кг/м 0,95
 Единица измерения м



| Артикул | Код | Длина, мм | Норма поставки, м |
|---------|-----------|-----------|-------------------|
| PRG-15 | 401411410 | 5720 | 457,6 |
| | | 7040 | 563,2 |
| | | 10040 | 803,2 |

ПРОФИЛИ ДЛЯ ПОЛОТНА ВОРОТ

УСТАНОВКА ПРОФИЛЯ КОНЦЕВОГО НИЖНЕГО



Профиль концевой (нижний)

Предназначен для установки в нижнюю панель полотна ворот.

Используется в:

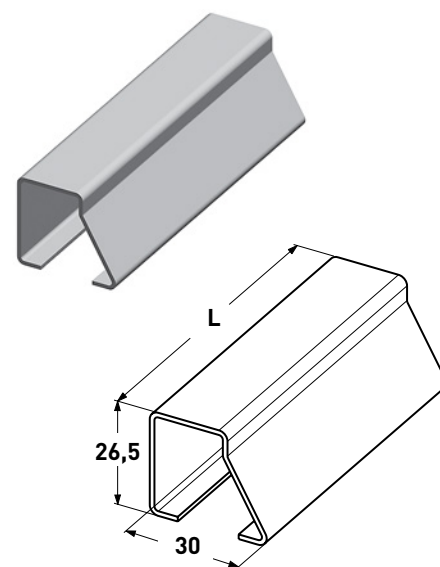
- гаражных воротах с пружинами растяжения и торсионными пружинами всех типов монтажа;
- промышленных воротах всех типов монтажа.

Материал оцинкованная сталь

Вес, кг/м 0,74

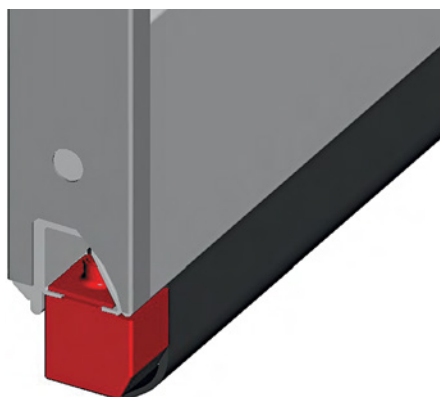
Единица измерения м

| Артикул | Код | Длина, мм | Норма поставки, м |
|---------|-----------|-----------|-------------------|
| PRG-11 | 401411000 | 5700 | 684 |
| | | 7040 | 844,8 |
| | | 10040 | 1204,8 |



ПРОФИЛИ ДЛЯ ПОЛОТНА ВОРОТ

УСТАНОВКА УПОРА НИЖНЕГО



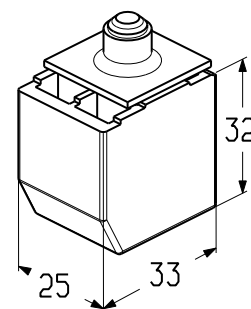
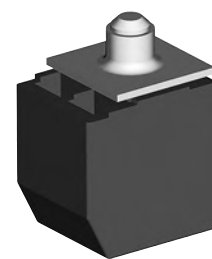
Упор нижний

Предназначен для установки в профиль воротный нижний (PRG-11).

Используется в:

- гаражных воротах с пружинами растяжения и торсионными пружинами всех типов монтажа;
- промышленных воротах всех типов монтажа с рисунками полотна.

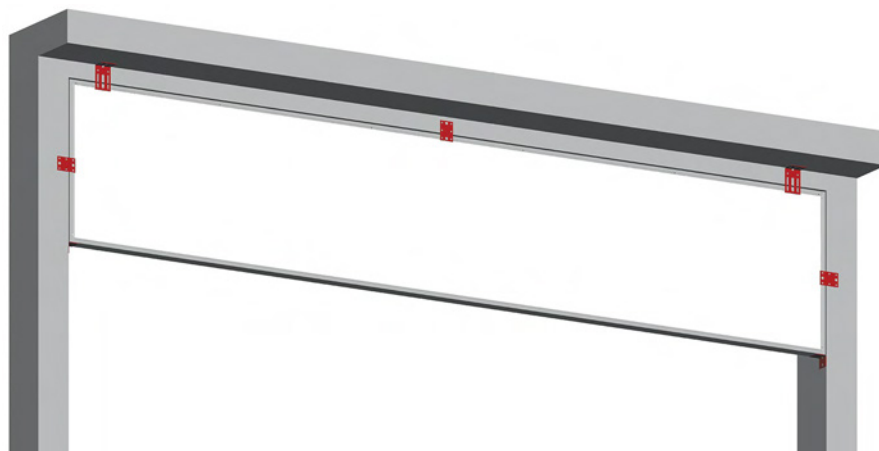
Материал HDPE
 Вес, кг/м 0,043
 Единица измерения шт.
 Норма поставки, шт. 60



| Артикул | Код |
|---------|-----------|
| LS1016 | 401940300 |

ПРОФИЛИ ДЛЯ ПОЛОТНА ВОРОТ

УСТАНОВКА ФАЛЬШПАНЕЛИ



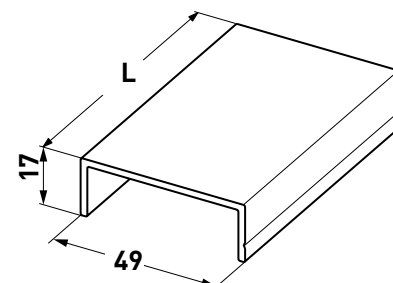
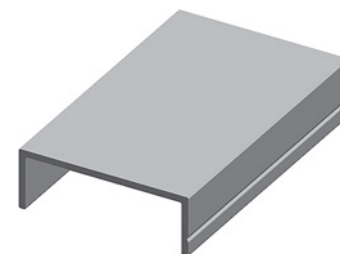
Профиль воротный

Предназначен для изготовления фальшпанели.

Используется в:

- гаражных воротах с пружинами растяжения и торсионными пружинами всех типов монтажа;
- промышленных воротах всех типов монтажа.

| | |
|-------------------|----------|
| Длина, мм | 6000 |
| Материал | алюминий |
| Вес, кг/м | 0,42 |
| Единица измерения | м |
| Норма поставки, м | 72 |



| Артикул | Код | Покрытие | Цвет* |
|-------------|-----------|---------------|------------------|
| PRD19S-6000 | 401420400 | Анодированное | A00-D6 (серебро) |
| PRD19S | 401420033 | Порошковое | близкий RAL 8019 |

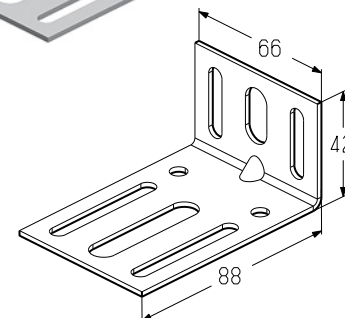
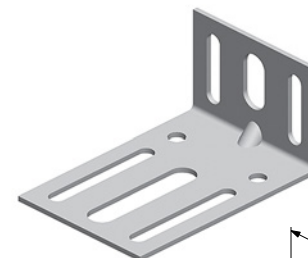
Кронштейн

Предназначен для крепления фальшпанели к верхней перемычке высотой до 65 мм.

Используется в:

- гаражных воротах с пружинами растяжения и торсионными пружинами всех типов монтажа;
- промышленных воротах всех типов монтажа.

| | |
|---------------------|--------------------|
| Материал | оцинкованная сталь |
| Вес, кг/шт. | 0,092 |
| Единица измерения | шт. |
| Норма поставки, шт. | 200 |



| Артикул | Код |
|---------|-----------|
| FPB5007 | 401820100 |

* Указанные цвета имеют близкое соответствие шкале RAL.

ПРОФИЛИ ДЛЯ ПОЛОТНА ВОРОТ

УСТАНОВКА ФАЛЬШПАНЕЛИ

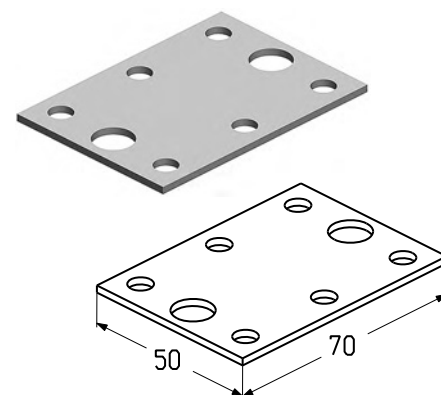
Пластина

Предназначена для крепления фальшпанели к верхней перемычке высотой свыше 65 мм и боковым стенкам проема.

Используется в:

- гаражных воротах с пружинами растяжения и торсионными пружинами всех типов монтажа;
- промышленных воротах всех типов монтажа.

Материал оцинкованная сталь
 Вес, кг/шт. 0,049
 Единица измерения шт.
 Норма поставки, шт. 300



| Артикул | Код |
|---------|-----------|
| FPP5008 | 401830100 |

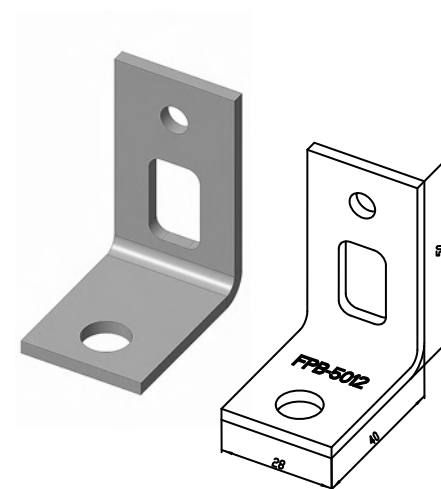
Кронштейн

Предназначен для крепления фальшпанели к боковым стенкам проема.

Используется в:

- гаражных воротах с пружинами растяжения и торсионными пружинами всех типов монтажа;
- промышленных воротах всех типов монтажа.

Материал оцинкованная сталь
 Вес, кг/шт. 0,053
 Единица измерения шт.
 Норма поставки, шт. 300



| Артикул | Код |
|----------|-----------|
| FPB-5012 | 406136755 |

Кронштейн

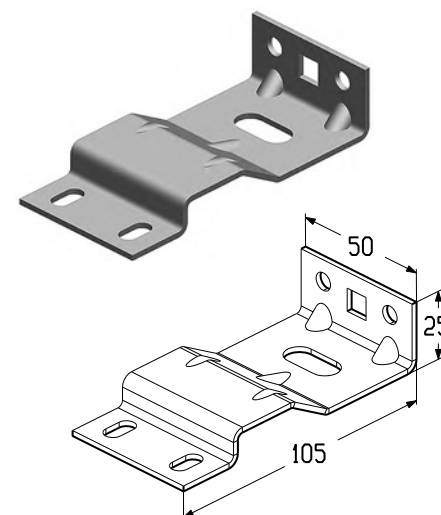
Предназначен для крепления фальшпанели к боковым стенкам проема.

Устанавливается совместно с угловым профилем (PRG32H, PRG02H, PRG01).

Используется:

- в гаражных воротах высокого типа монтажа;
- в промышленных воротах высоких и вертикальных типов монтажа.

Материал оцинкованная сталь
 Вес, кг/шт. 0,101
 Единица измерения шт.
 Норма поставки, шт. 160



| Артикул | Код |
|---------|-----------|
| FPB5010 | 401820300 |

ПРОФИЛИ ДЛЯ ПОЛОТНА ВОРОТ

УСТАНОВКА ПРОФИЛЯ УСИЛИВАЮЩЕГО



Профиль усиливающий

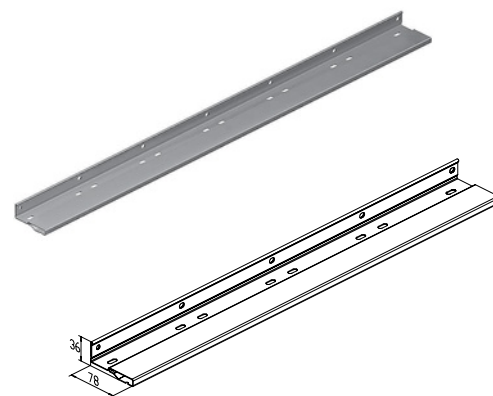
Используется в гаражных воротах:

- стандартного и низкого типа шириной от 5 м включительно (в качестве опции может применяться при ширине до 5 м);
- высокого типа монтажа при ширине более 4,5 м (в качестве опции может применяться при ширине до 4,5 м включительно).

Используется в промышленных воротах:

- всех типов монтажа (кроме высоких и вертикальных) при ширине от 5 м включительно (в качестве опции может применяться при ширине до 5 м);
- высоких и вертикальных типов монтажа при ширине более 4,5 м (в качестве опции может применяться при ширине до 4,5 м включительно).

Материал оцинкованная сталь
 Вес, кг/м 1,52
 Единица измерения м



| Артикул | Код | Длина, мм | Норма поставки, м |
|---------|-----------|-----------|-------------------|
| PRG-19 | 401437900 | 4290 | 257,40 |
| | | 4620 | 277,20 |
| | | 4950 | 297,00 |
| | | 5610 | 366,60 |
| | | 6600 | 396,00 |

Профиль усиливающий

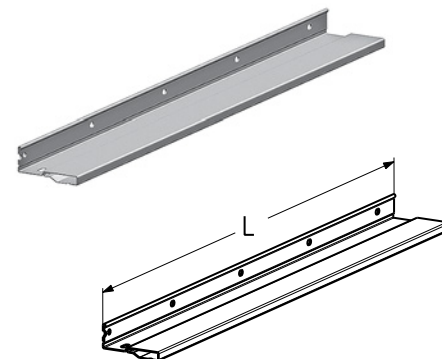
Используется в гаражных воротах с торсионными пружинами с панорамным остеклением (серия ПО):

- стандартного и низкого типа монтажа шириной более 5 м (в качестве опции может применяться при ширине до 5 м включительно);
- высокого типа монтажа при ширине более 4,5 м (в качестве опции может применяться при ширине до 4,5 м включительно).

Используется в промышленных воротах с панорамным остеклением (серий АЛП, АЛПС, ПО):

- всех типов монтажа (кроме высоких и вертикальных) шириной более 5 м (в качестве опции может применяться при ширине до 5 м включительно);
- высоких и вертикальных типах монтажа шириной свыше 4,5 м (в качестве опции может применяться при ширине до 4,5 м включительно).

Материал оцинкованная сталь
 Вес, кг/м 1,52
 Единица измерения м



| Артикул | Код | Длина, мм | Норма поставки, м |
|---------|-----------|-----------|-------------------|
| PRG-20 | 401438000 | 4620 | 277,20 |
| | | 4950 | 297,00 |
| | | 5610 | 336,60 |
| | | 6600 | 396,00 |

ПРОФИЛИ ДЛЯ ПОЛОТНА ВОРОТ

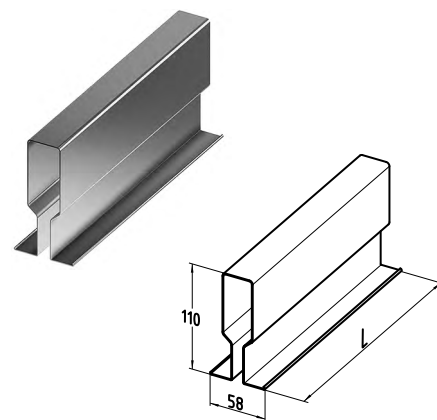
УСТАНОВКА ПРОФИЛЯ УСИЛИВАЮЩЕГО

Профиль усиливающий

Используется в промышленных воротах всех типов монтажа шириной более 7 м.

| | |
|-------------------------|--------------------|
| Материал | Оцинкованная сталь |
| Длина, мм | 8020 |
| Вес, кг/м | 2,33 |
| Единица измерения | м |
| Норма поставки, м | 200,5 |

| Артикул | Код |
|-------------|-----------|
| PRG110-8020 | 401436000 |

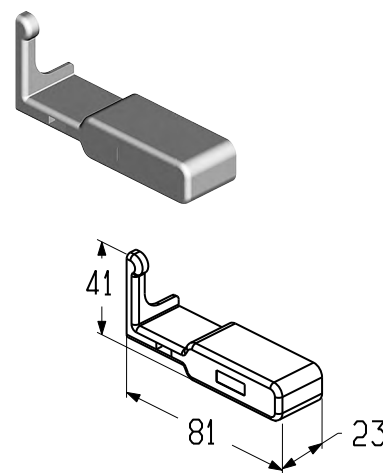


Заглушка

Устанавливается совместно с профилем усиливающим (PRG-19 и PRG-20).

| | |
|--------------------------|------|
| Материал | ABS |
| Вес, кг/м | 0,01 |
| Единица измерения | шт. |
| Норма поставки, шт. | 630 |

| Артикул | Код | Примечание |
|---------|-----------|------------|
| P19R | 401530500 | Левая |
| P19L | 401530400 | Правая |

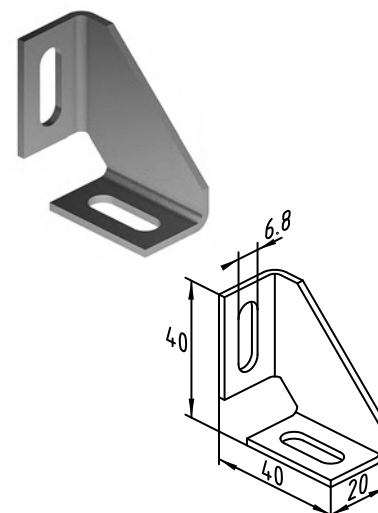


Кронштейн крепления усиливающего профиля

Используется в гаражных и промышленных воротах для крепления усиливающего профиля (PRG19, PRG20) на верхнюю панель шириной свыше 5 м.

| | |
|--------------------------|--------------------|
| Материал | Оцинкованная сталь |
| Вес, кг/шт. | 0,031 |
| Единица измерения | шт. |
| Норма поставки, шт. | 300 |

| Артикул | Код | Цвет* |
|---------|-----------|----------|
| B-1015 | 401200900 | — |
| B-1015 | 401201000 | RAL 9002 |



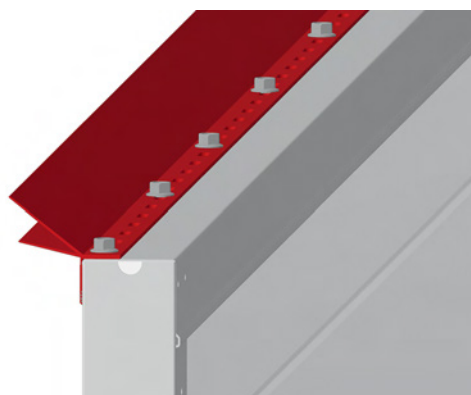
* Указанные цвета имеют близкое соответствие шкале RAL.

УПЛОТНИТЕЛИ РЕЗИНОВЫЕ

УСТАНОВКА ВСТАВКИ УПЛОТНИТЕЛЬНОЙ



Вставка уплотнительная нижняя



Вставка уплотнительная верхняя

Вставка уплотнительная (нижняя)

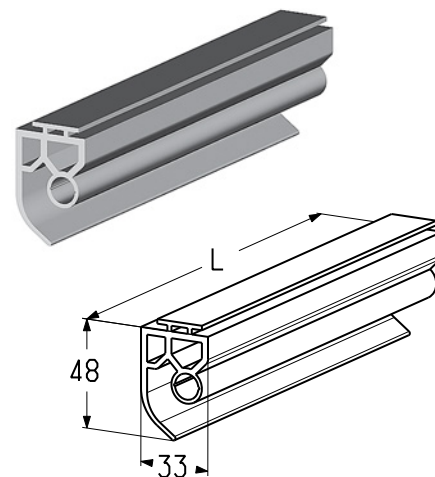
Предназначена для герметизации нижней части проема. Устанавливается в профиль концевой нижний (PRG-11).

Используется в:

- гаражных воротах с пружинами растяжения и торсионными пружинами всех типов монтажа;
- промышленных воротах всех типов монтажа.

Материал EPDM
 Вес, кг/м 0,501
 Единица измерения м
 Норма поставки, м 60

| Артикул | Код |
|---------|-----------|
| RSB20 | 417500204 |



Вставка уплотнительная (верхняя)

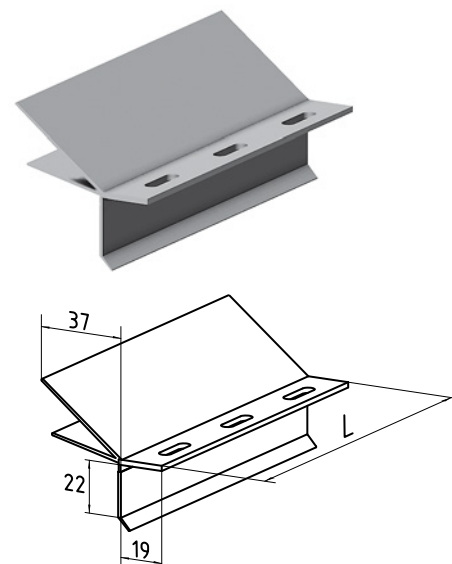
Предназначена для герметизации верхней части проема. Устанавливается совместно с профилем концевым верхним (PRG-14, PRG-15).

Используется:

- в гаражных воротах высокого типа монтажа;
- в промышленных воротах всех типов монтажа, кроме низкого.

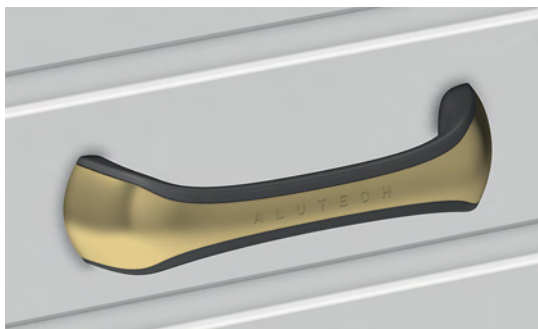
Материал RPVC + TPE
 Вес, кг/м 0,30
 Единица измерения м
 Норма поставки, м 180

| Артикул | Код |
|---------|-----------|
| RST01 | 401520100 |

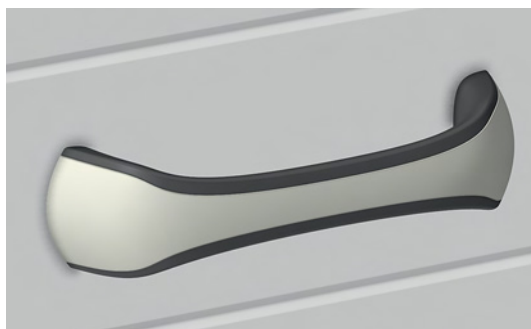


АКСЕССУАРЫ ДЛЯ СЕКЦИОННЫХ ВОРОТ

УСТАНОВКА РУЧКИ



Ручка HG1009
Внешняя сторона



Ручка HG1009
Внутренняя сторона

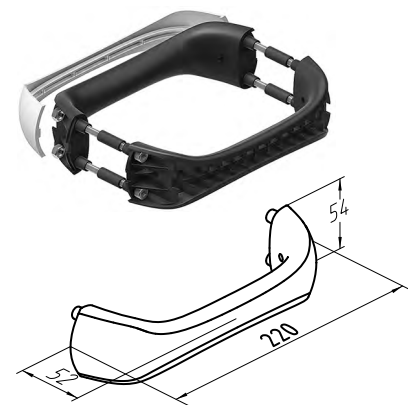
Ручка

Предназначена для подъема полотна гаражных ворот с пружинами растяжения и торсионными пружинами всех типов монтажа, кроме высокого.

В комплект входит:

- двухсторонняя ручка;
- крышка для внутренней ручки, цвет близкий к RAL 9002.

Материал полиамид
 Цвет черный
 Вес, кг/м 0,241
 Единица измерения шт.
 Норма поставки, шт 1

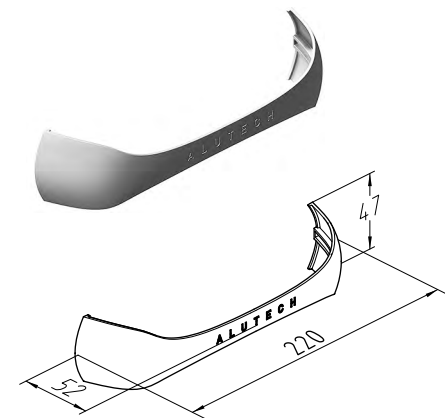


| Артикул | Код |
|---------|-----------|
| HG1009 | 418700072 |

Крышка

Используется совместно с ручкой (HG1009).

Материал ABS
 Вес, кг/м 0,02
 Единица измерения шт.
 Норма поставки, шт 1



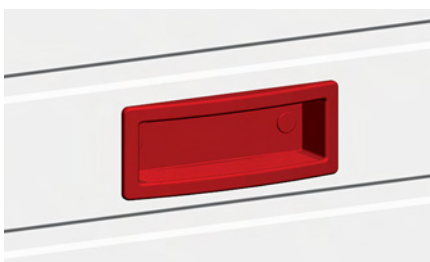
| Артикул | Код | Цвет (близкое соответствие шкале RAL) |
|---------------|-----------|---------------------------------------|
| HGI009.002.01 | 418700100 | RAL 9016 |
| HGI009.002.02 | 418700101 | RAL 8014 |
| HGI009.002.03 | 418700102 | RAL 9006 |
| HGI009.002.04 | 418700103 | RAL 5010 |
| HGI009.002.09 | 418700104 | RAL 6005 |
| HGI009.002.10 | 418700105 | RAL 1015 |
| HGI009.002.12 | 418700106 | RAL 3004 |
| HGI009.002.15 | 418700107 | RAL 9002 |
| HGI009.002.16 | 418700108 | RAL 7016 |
| HGI009.002.17 | 418700109 | RAL 8017 |
| HGI009.002.18 | 418700110 | RAL 9005 |
| HGI009.002.19 | 418700111 | Gold |
| HGI009.002.20 | 418700112 | Silver |
| HGI009.002.22 | 418700192 | Black chrome |

АКСЕССУАРЫ ДЛЯ СЕКЦИОННЫХ ВОРОТ

УСТАНОВКА РУЧКИ



Ручка HG008
Внутренняя сторона



Ручка HGI007
Внешняя сторона



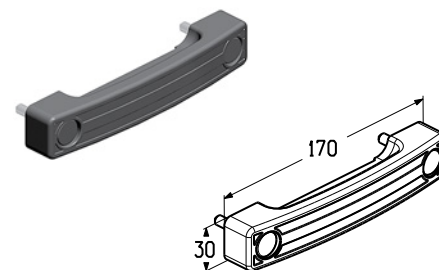
Ручка HGI007
Внутренняя сторона

Ручка

Предназначена для подъема полотна гаражных и промышленных ворот с пружинами растяжения и торсионными пружинами всех типов монтажа без встроенной калитки или усиливающих профилей. Устанавливается с внутренней стороны ворот.

Материал ABS
Цвет черный
Вес, кг/шт. 0,082
Единица измерения шт.
Норма поставки, шт. 1

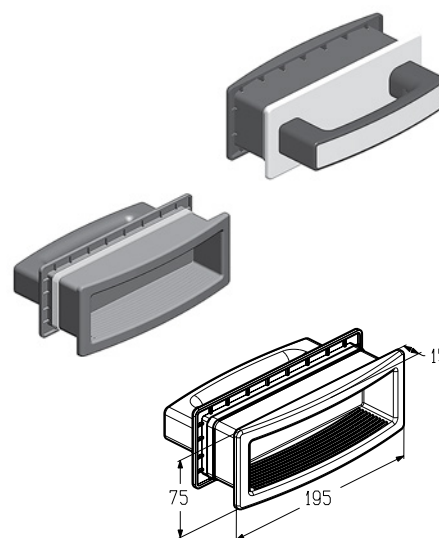
| Артикул | Код |
|---------|-----------|
| HG008 | 407410300 |

**Ручка**

Предназначена для подъема полотна промышленных ворот всех типов монтажа и гаражных высокого типа монтажа.

Материал полипропилен
Цвет черный
Вес, кг/шт. 0,59
Единица измерения шт.
Норма поставки, шт. 1

| Артикул | Код |
|---------|-----------|
| HGI007 | 407410200 |



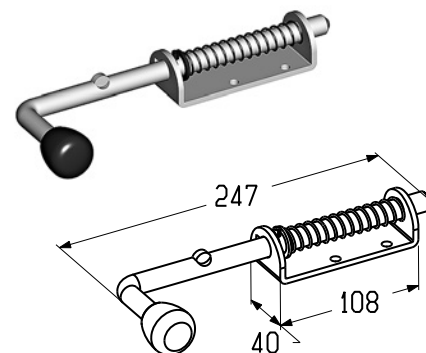
АКСЕССУАРЫ ДЛЯ СЕКЦИОННЫХ ВОРОТ

Засов

Предназначен для запираения гаражных ворот с торсионными пружинами и промышленных ворот всех типов монтажа.

Материал оцинкованная сталь
 Вес, кг/шт. 0,506
 Единица измерения шт.
 Норма поставки, шт. 20

| Артикул | Код |
|---------|-----------|
| SB0100 | 401960000 |

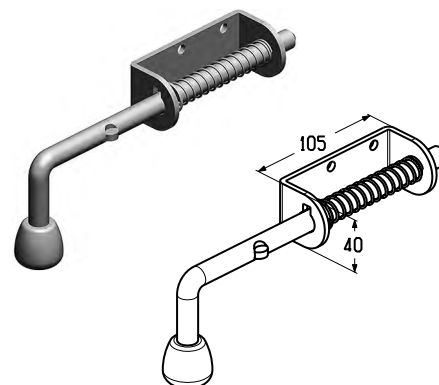


Засов

Предназначен для запираения гаражных ворот с пружинами растяжения.

Материал оцинкованная сталь
 Вес, кг/шт. 0,583
 Единица измерения шт.
 Норма поставки, шт. 50

| Артикул | Код |
|---------|-----------|
| SB0101S | 401960100 |

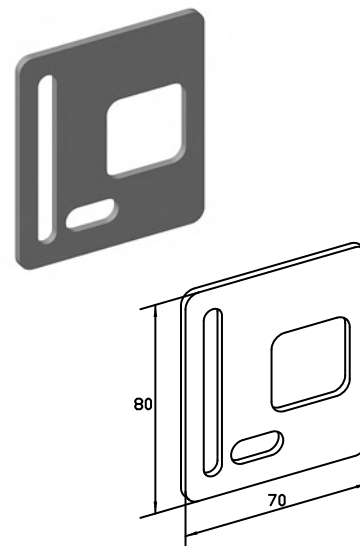


Кронштейн

Предназначен для установки совместно с профилем угловым и засовами (SB0100 и SB0101S).
 Используется в гаражных воротах с пружинами растяжения и торсионными пружинами всех типов монтажа.

Материал оцинкованная сталь
 Вес, кг/шт. 0,10
 Единица измерения шт.
 Норма поставки, шт. 200

| Артикул | Код |
|----------|-----------|
| LP-3009H | 406136775 |



АКСЕССУАРЫ ДЛЯ СЕКЦИОННЫХ ВОРОТ

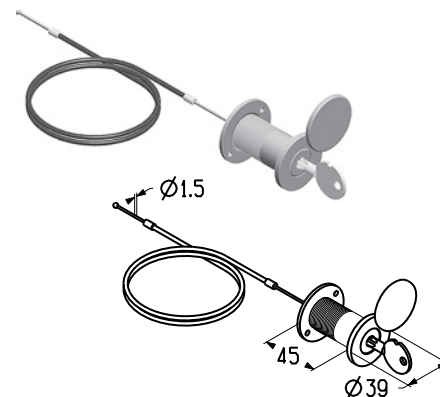
Комплект механизма разблокировки

Предназначен для разблокировки электропривода реечного типа. Используется:

- в гаражных воротах с пружинами растяжения и торсионными пружинами всех типов монтажа;
- в промышленных воротах низких типов монтажа.

Единица измерения шт.
 Длина троса, мм 4500
 Вес, кг/шт. 0,52
 Норма поставки, шт. 4

| Артикул | Код |
|-------------|-----------|
| RM0104-4500 | 401971800 |

**Трос разблокировки**

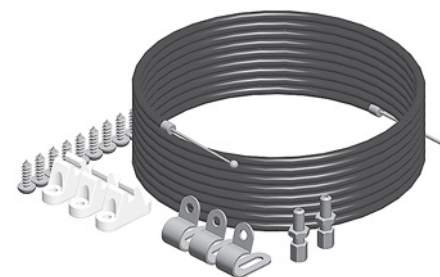
Предназначен для разблокировки электропривода реечного типа. Используется совместно с ригельным замком RLG004.

В комплект входит:

- трос разблокировки;
- комплект крепежа (винты самонарезающие, скобы, хомуты).

Единица измерения шт.
 Норма поставки, шт. 1

| Артикул | Код | Длина, мм | Вес, кг/шт. |
|---------|-----------|-----------|-------------|
| RK-4500 | 401971600 | 4500 | 0,56 |
| RK-6000 | 401971700 | 6000 | 0,65 |



1.1

1.2

1.3

1.4

1.5

2

3

4

АКСЕССУАРЫ ДЛЯ СЕКЦИОННЫХ ВОРОТ

УСТАНОВКА УСТРОЙСТВА ЗАПИРАЮЩЕГО ДЛЯ ГАРАЖНЫХ ВОРОТ



Внешняя сторона



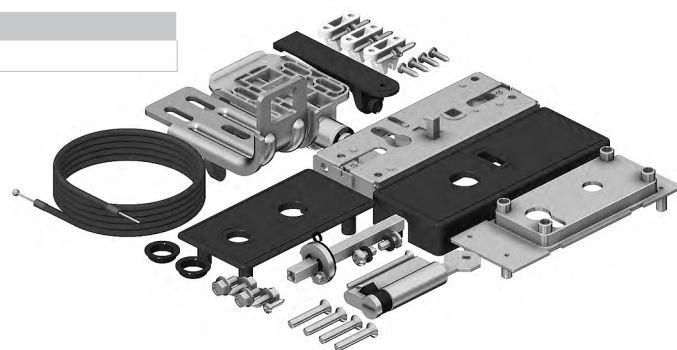
Внутренняя сторона

Комплект замка

Предназначено для запираения гаражных ворот с пружинами растяжения и торсионными пружинами, кроме высокого типа монтажа. Используется совместно с комплектом ручек (RLG004-02P).

Вес, кг/шт. 2,231
Единица измерения шт.
Норма поставки, шт. 1

| Артикул | Код |
|------------|-----------|
| RLG004-01P | 415700108 |



Комплект ручек

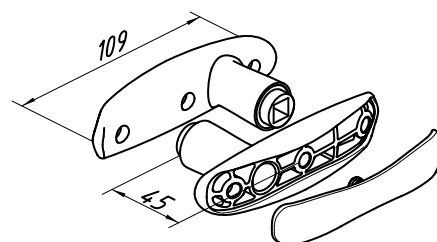
Предназначено для запираения гаражных ворот с пружинами растяжения и торсионными пружинами. Используется совместно с комплектом замка (RLG004-01P).

В комплект входит:

- двухсторонняя ручка;
- крышка для внутренней ручки, цвет близкий к RAL 9002.

Вес, кг/м 0,361
Единица измерения шт.
Норма поставки, шт. 1

| Артикул | Код |
|------------|-----------|
| RLG004-02P | 415700109 |



АКСЕССУАРЫ ДЛЯ СЕКЦИОННЫХ ВОРОТ

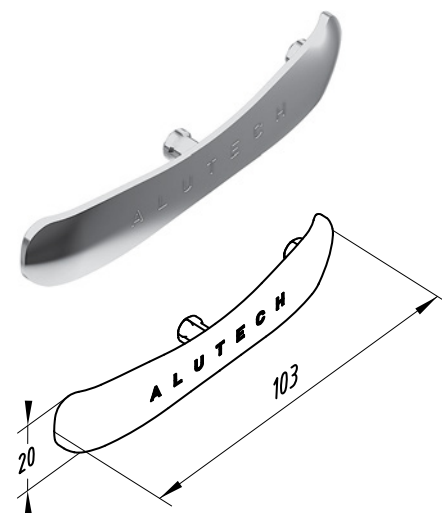
УСТАНОВКА УСТРОЙСТВА ЗАПИРАЮЩЕГО ДЛЯ ГАРАЖНЫХ ВОРОТ

Крышка

Используется совместно с комплектом ручек (RLG004-02P).

Материал ABS
 Вес, кг/м 0,01
 Единица измерения шт.
 Норма поставки, шт. 1

| Артикул | Код | Цвет (близкое соответствие шкале RAL) |
|-----------|---------------|---------------------------------------|
| 418700074 | RLG004.226.01 | RAL 9016 |
| 418700075 | RLG004.226.02 | RAL 8014 |
| 418700076 | RLG004.226.03 | RAL 9006 |
| 418700077 | RLG004.226.04 | RAL 5010 |
| 418700078 | RLG004.226.09 | RAL 6005 |
| 418700079 | RLG004.226.10 | RAL 1015 |
| 418700080 | RLG004.226.12 | RAL 3004 |
| 418700081 | RLG004.226.15 | RAL 9002 |
| 418700082 | RLG004.226.16 | RAL 7016 |
| 418700083 | RLG004.226.17 | RAL 8017 |
| 418700084 | RLG004.226.18 | RAL 9005 |
| 418700085 | RLG004.226.19 | Gold |
| 418700086 | RLG004.226.20 | Silver |
| 418700195 | RLG004.226.22 | Black chrome |



1.1

1.2

1.3

1.4

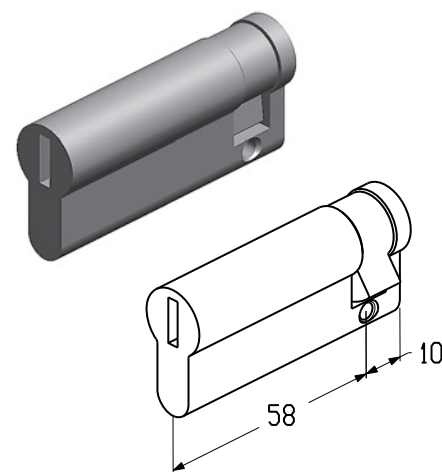
1.5

Цилиндрический механизм 10/58 мм

Используется совместно с комплектом замка (RLG004-01P).

Вес, кг/шт. 0,202
 Единица измерения шт.
 Норма поставки, шт. 1

| Артикул | Код |
|---------|-----------|
| C-10/58 | 418700053 |



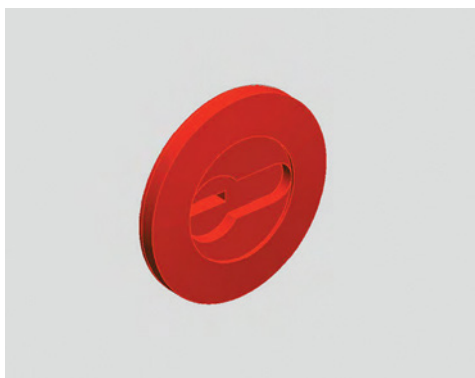
2

3

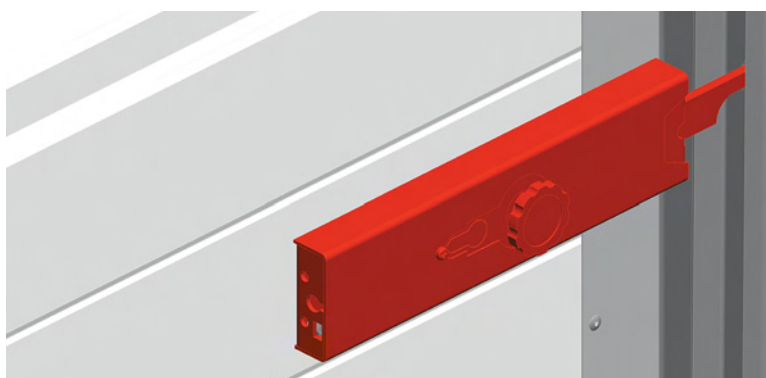
4

АКСЕССУАРЫ ДЛЯ СЕКЦИОННЫХ ВОРОТ

УСТАНОВКА ЗАМКА РИГЕЛЬНОГО ДЛЯ ПРОМЫШЛЕННЫХ ВОРОТ



Внешняя сторона



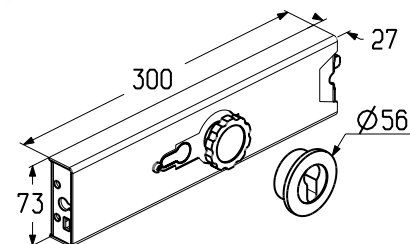
Внутренняя сторона

Замок ригельный

Предназначен для запираения промышленных ворот всех типов монтажа.
Используется совместно с цилиндрическим механизмом 9/57 мм (С-9/57).

Вес, кг/шт. 1,85
Единица измерения шт.
Норма поставки, шт. 3

| Артикул | Код |
|---------|-----------|
| RLI0103 | 401970600 |

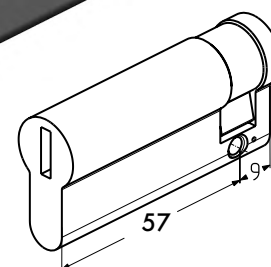


Цилиндрический механизм 9/57 мм

Предназначен для запираения промышленных ворот всех типов монтажа.
Используется совместно с замком ригельным (RLI0103).

Вес, кг/шт. 0,25
Единица измерения шт.
Норма поставки, шт. 3

| Артикул | Код |
|---------|-----------|
| С-9/57 | 401970700 |



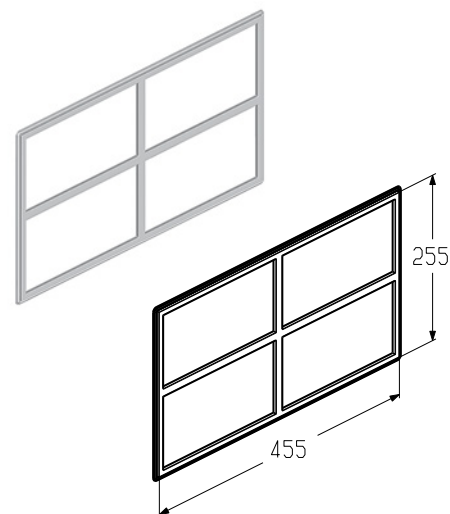
АКСЕССУАРЫ ДЛЯ СЕКЦИОННЫХ ВОРОТ

Вставка декоративная Cross

Предназначена для установки совместно со вставкой светопрозрачной (W043WH-CG/TG, W043BR-CG/TG).

Вес, кг/шт. 1,1
Единица измерения шт.
Норма поставки, шт. 80

| Артикул | Код | Примечание |
|----------|-----------|------------|
| DIC043WH | 401983400 | Белый |
| DIC043BR | 401983500 | Коричневый |

**Комплект вставок декоративных Sunrise 3**

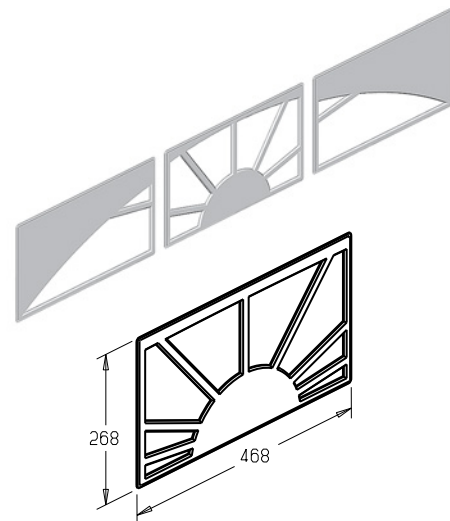
Предназначена для установки совместно со вставкой светопрозрачной (W043WH-CG/TG, W043BR-CG/TG).

Используется в:

- гаражных воротах с пружинами растяжения и торсионными пружинами всех типов монтажа;
- промышленных воротах всех типов монтажа.

Вес, кг/шт. 0,49
Единица измерения шт.
Норма поставки, шт. 20

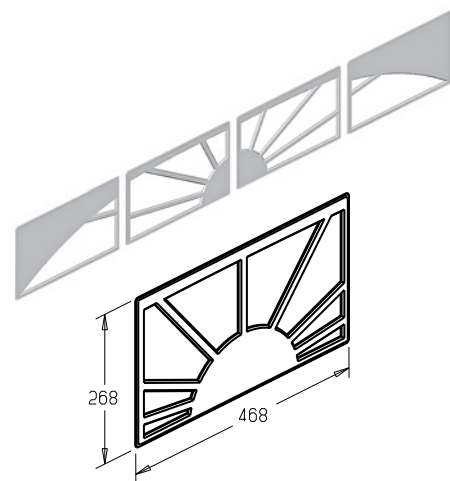
| Артикул | Код | Примечание |
|------------|-----------|------------|
| DIS043WH-3 | 401982500 | Белый |
| DIS043BR-3 | 401981900 | Коричневый |

**Комплект вставок декоративных Sunrise 4**

Предназначен для установки совместно со вставкой светопрозрачной (W043WH-CG/TG, W043BR-CG/TG).

Вес, кг/шт. 0,58
Единица измерения шт.
Норма поставки, шт. 20

| Артикул | Код | Примечание |
|------------|-----------|------------|
| DIS043WH-4 | 401981500 | Белый |
| DIS043BR-4 | 401982600 | Коричневый |



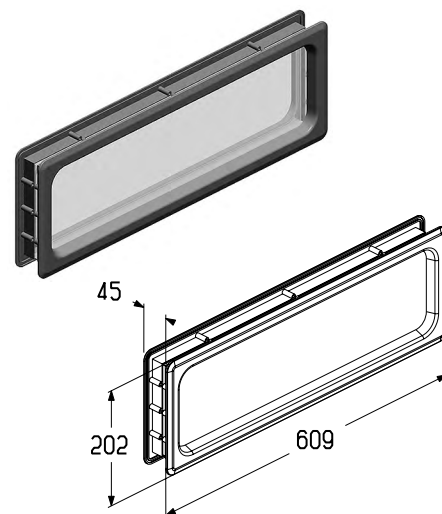
АКСЕССУАРЫ ДЛЯ СЕКЦИОННЫХ ВОРОТ

Вставка светопрозрачная

Используется в гаражных воротах с пружинами растяжения и торсионными пружинами всех типов монтажа, промышленных воротах всех типов монтажа с рисунком полотна микроволна, S-гофр, M-гофр, L-гофр.

Материал SAN
 Вес, кг/шт. 1,3
 Единица измерения шт.
 Норма поставки, шт. 12

| Артикул | Код |
|---------|-----------|
| W085 | 401980400 |

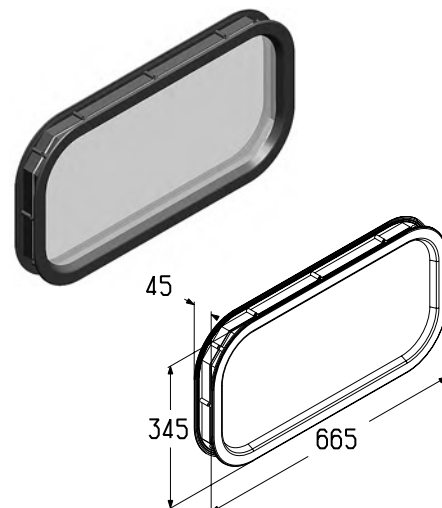


Вставка светопрозрачная

Используется в гаражных воротах с пружинами растяжения и торсионными пружинами всех типов монтажа, промышленных воротах всех типов монтажа с рисунком полотна микроволна, S-гофр, M-гофр, L-гофр.

Материал SAN
 Вес, кг/шт. 2,1
 Единица измерения шт.
 Норма поставки, шт. 8

| Артикул | Код |
|---------|-----------|
| W095 | 401980500 |

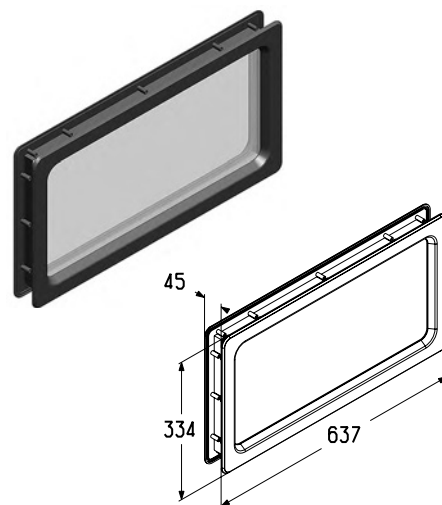


Вставка светопрозрачная

Используется в гаражных воротах с пружинами растяжения и торсионными пружинами всех типов монтажа, промышленных воротах всех типов монтажа с рисунком полотна микроволна, S-гофр, M-гофр, L-гофр.

Материал SAN
 Вес, кг/шт. 2,3
 Единица измерения шт.
 Норма поставки, шт. 8

| Артикул | Код |
|---------|-----------|
| W046 | 401980100 |



АКСЕССУАРЫ ДЛЯ СЕКЦИОННЫХ ВОРОТ

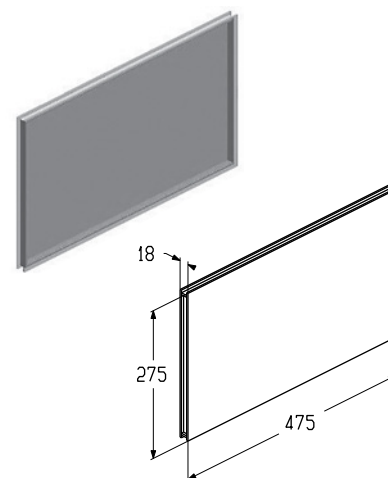
Заполнение светопрозрачное

Используется для остекления гаражных и промышленных ворот с рисунком полотна микроволна, S-гофр, М-гофр, L-гофр, филенка в составе вставок светопрозрачных арт. W043WH-CG, W043BR-CG, W043WH-TG, W043BR-TG.

Применяется совместно с комплектом рамок оконных W043-WH, W043-BR.

| | |
|--------------------------|------|
| Материал | SAN |
| Вес, кг/шт. | 1,15 |
| Единица измерения | шт. |
| Норма поставки, шт. | 10 |

| Артикул | Код | Цвет рамы с наружной стороны |
|---------|-----------|--------------------------------|
| W043-CG | 401985900 | SAN-остекление кристаллическое |
| W043-TG | 401986000 | SAN-остекление прозрачное |



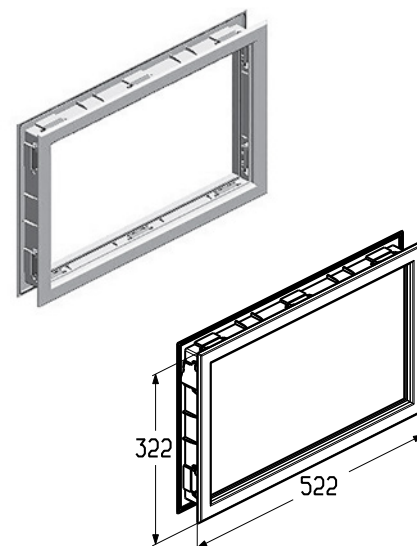
Комплект рамок

Используется для остекления гаражных и промышленных ворот с рисунком полотна микроволна, S-гофр, М-гофр, L-гофр, филенка в составе вставок светопрозрачных арт. W043WH-CG, W043BR-CG, W043WH-TG, W043BR-TG.

Применяется совместно с заполнением светопрозрачным арт. W043-CG, W043-TG.

| | |
|--------------------------|------|
| Материал | ABS |
| Вес, кг/шт. | 1,95 |
| Толщина, мм | 45 |
| Единица измерения | шт. |
| Норма поставки, шт. | 10 |

| Артикул | Код | Цвет рамы с наружной стороны |
|---------|-----------|------------------------------|
| W043-WH | 401986500 | Белый |
| W043-BR | 401986600 | Коричневый |



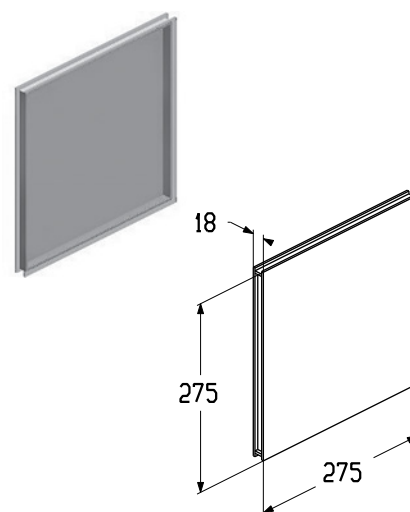
Заполнение светопрозрачное

Используется для остекления гаражных и промышленных ворот с рисунком полотна микроволна, S-гофр, М-гофр, L-гофр в составе вставок светопрозрачных арт. W050WH-CG, W050BR-CG, W050WH, W050BR.

Применяется совместно с комплектом рамок оконных W050-WH, W050-BR.

| | |
|--------------------------|------|
| Материал | SAN |
| Вес, кг/шт. | 0,97 |
| Единица измерения | шт. |
| Норма поставки, шт. | 10 |

| Артикул | Код | Цвет рамы с наружной стороны |
|---------|-----------|--------------------------------|
| W050-CG | 401986300 | SAN-остекление кристаллическое |
| W050-TG | 401986100 | SAN-остекление прозрачное |



АКСЕССУАРЫ ДЛЯ СЕКЦИОННЫХ ВОРОТ

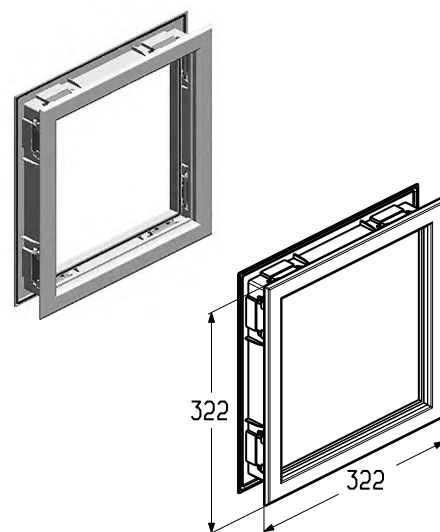
Комплект рамок

Используется для остекления гаражных и промышленных ворот с рисунком полотна микроволна, S-гофр, М-гофр, L-гофр в составе вставок светопрозрачных арт. W050WH-CG, W050BR-CG, W050WH, W050BR.

Применяется совместно с заполнением светопрозрачным арт. W050-CG, W050-TG.

| | |
|--------------------------|------|
| Материал | ABS |
| Вес, кг/шт. | 1,59 |
| Толщина, мм. | 45 |
| Единица измерения | шт. |
| Норма поставки, шт. | 10 |

| Артикул | Код | Цвет рамы с наружной стороны |
|---------|-----------|------------------------------|
| W050-WH | 401986700 | Белый |
| W050-BR | 401986800 | Коричневый |



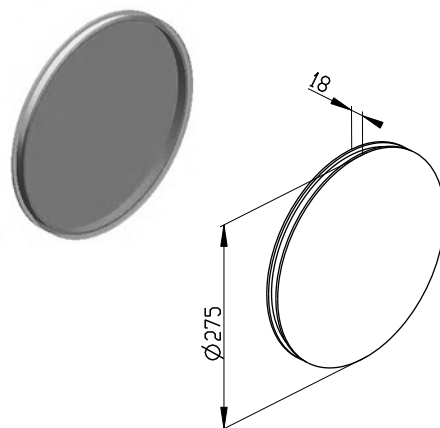
Заполнение светопрозрачное

Используется для остекления гаражных и промышленных ворот с рисунком полотна микроволна, S-гофр, М-гофр, L-гофр в составе вставок светопрозрачных арт. W060WH-CG, W060BR-CG, W060WH, W060BR.

Применяется совместно с комплектом рамок оконных W060-WH, W060-BR.

| | |
|--------------------------|------|
| Материал | SAN |
| Вес, кг/шт. | 0,98 |
| Единица измерения | шт. |
| Норма поставки, шт. | 10 |

| Артикул | Код | Цвет рамы с наружной стороны |
|---------|-----------|--------------------------------|
| W060-CG | 401986400 | SAN-остекление кристаллическое |
| W060-TG | 401986200 | SAN-остекление прозрачное |



Комплект рамок

Используется для остекления гаражных и промышленных ворот с рисунком полотна микроволна, S-гофр, М-гофр, L-гофр в составе вставок светопрозрачных арт. W060WH-CG, W060BR-CG, W060WH, W060BR.

Применяется совместно с заполнением светопрозрачным арт. W060-CG, W060-TG.

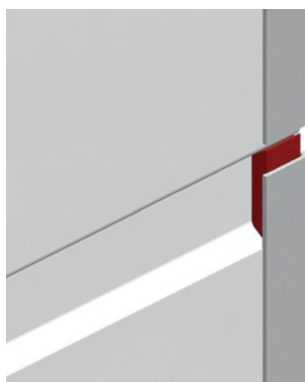
| | |
|--------------------------|------|
| Материал | ABS |
| Вес, кг/шт. | 1,47 |
| Толщина, мм. | 45 |
| Единица измерения | шт. |
| Норма поставки, шт. | 10 |

| Артикул | Код | Цвет рамы с наружной стороны |
|---------|-----------|------------------------------|
| W060-WH | 401986900 | Белый |
| W060-BR | 401987000 | Коричневый |



АКСЕССУАРЫ ДЛЯ СЕКЦИОННЫХ ВОРОТ

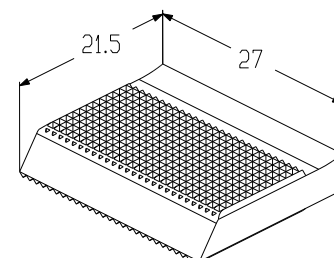
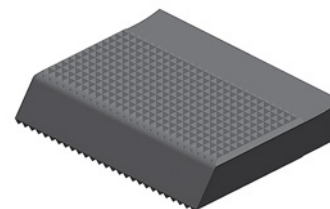
УСТАНОВКА ЗАГЛУШКИ МЕЖПАНЕЛЬНОЙ И ЗАГЛУШКИ

Заглушка межпанельная
P-1501Заглушка
P-1502**Заглушка межпанельная**

Устанавливается совместно с боковой накладкой (EC-45.450R/L, EC-45.500R/L, EC-45.625R/L).
Используется в гаражных воротах с пружинами растяжения и торсионными пружинами всех типов монтажа, промышленных воротах всех типов монтажа с рисунками полотна S-гофр, M-гофр и L-гофр.

| | |
|--------------------------|-------|
| Материал | TPER |
| Вес, кг/шт. | 0,003 |
| Единица измерения | шт. |
| Норма поставки, шт | 5000 |

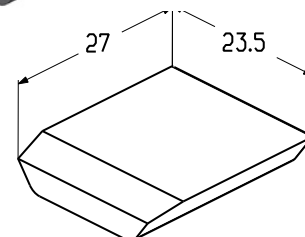
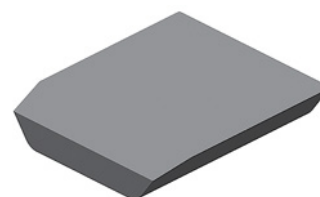
| Артикул | Код |
|---------|-----------|
| P-1501 | 401990100 |

**Заглушка**

Устанавливается совместно с боковой накладкой (EC-45.450R/L, EC-45.500R/L, EC-45.625R/L).
Используется в гаражных воротах с пружинами растяжения и торсионными пружинами всех типов монтажа, промышленных воротах всех типов монтажа с рисунками полотна S-гофр и M-гофр.

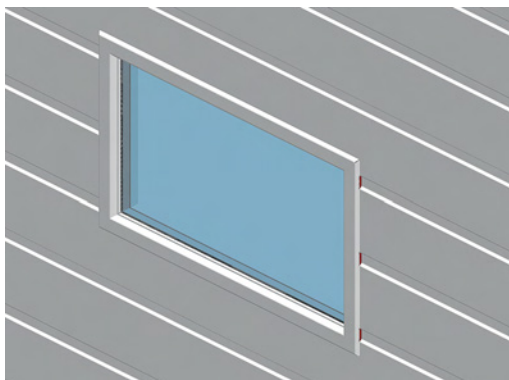
| | |
|--------------------------|-------|
| Материал | TPER |
| Вес, кг/шт. | 0,001 |
| Единица измерения | шт. |
| Норма поставки, шт | 5000 |

| Артикул | Код |
|---------|-----------|
| P-1502 | 401990200 |



АКСЕССУАРЫ ДЛЯ СЕКЦИОННЫХ ВОРОТ

УСТАНОВКА ЗАГЛУШКИ ОКОННОЙ



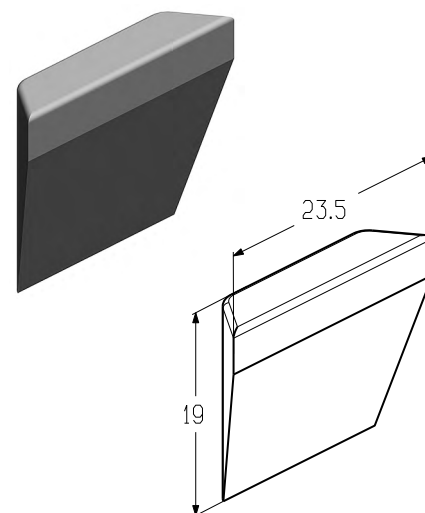
Заглушка оконная

Заглушка оконная

Устанавливается совместно со вставками светопрозрачными (W085, W095, W046, W043WH-CG / TG, W043BR-CG / TG, W050WH/BR, W050WH/BR-CG, W060WH/BR, W060WH/BR-CG).

Применяется в гаражных воротах с пружинами растяжения и торсионными пружинами всех типов монтажа, промышленных воротах всех типов монтажа с рисунками полотна S-гофр и М-гофр.

Материал полиуретан
 Вес, кг/шт. 0,002
 Единица измерения шт.
 Норма поставки, шт 6000



| Артикул | Код |
|---------|-----------|
| P1012 | 401982400 |

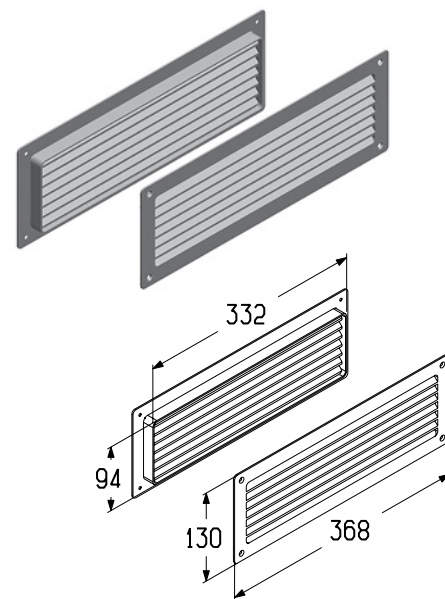
АКСЕССУАРЫ ДЛЯ СЕКЦИОННЫХ ВОРОТ

Решетка вентиляционная

Используется в гаражных воротах с пружинами растяжения и торсионными пружинами всех типов монтажа, промышленных воротах всех типов монтажа с рисунками полотна микроволна, S-гофр, М-гофр и L-гофр.

Материал пластмасса
 Вес, кг/к-т 0,48
 Единица измерения к-т
 Норма поставки, к-т 10

| Артикул | Код | Тип | Цвет с наружной стороны | Состав комплекта | | |
|-----------|-----------|----------------|-------------------------|------------------|---------|------------|
| | | | | Артикул | Код | Количество |
| VG-368RWH | 401900000 | регулируемая | Белый | MV350Rs-W | 4000358 | 1 |
| | | | | MV350s-W | 4000357 | 1 |
| | | | | 3,9×19 сверл. | 1598 | 8 |
| VG-368RBK | 401900100 | регулируемая | Черный | MV350Rs-W | 4000358 | 1 |
| | | | | MV350s-B | 4000359 | 1 |
| | | | | 3,9×19 сверл. | 1598 | 8 |
| VG-368WH | 401900200 | нерегулируемая | Белый | MV350s-W | 4000357 | 2 |
| | | | | 3,9×19 сверл. | 1598 | 8 |
| VG-368BK | 401900300 | нерегулируемая | Черный | MV350s-W | 4000357 | 1 |
| | | | | MV350s-B | 4000359 | 1 |
| | | | | 3,9×19 сверл. | 1598 | 8 |



1.1

1.2

1.3

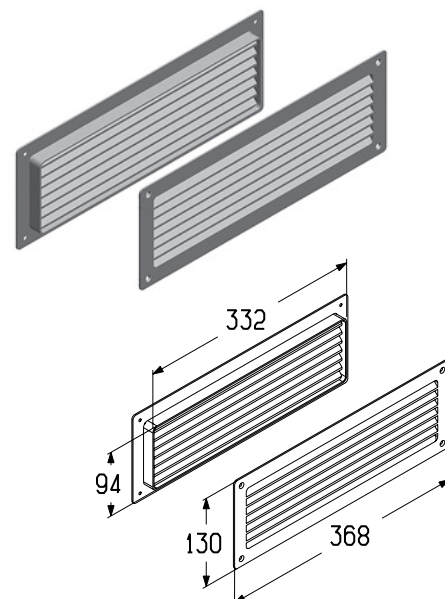
1.4

1.5

Решетка вентиляционная регулируемая (белая)**Решетка вентиляционная нерегулируемая (белая/черная)**

Материал пластмасса
 Единица измерения к-т
 Норма поставки, к-т 10

| Артикул | Код | Тип решетки | Вес, кг | Цвет |
|-----------|---------|----------------|---------|--------|
| MV350Rs-W | 4000358 | регулируемая | 0,24 | Белый |
| MV350s-W | 4000357 | нерегулируемая | 0,16 | Белый |
| MV350s-B | 4000359 | нерегулируемая | 0,17 | Черный |



2

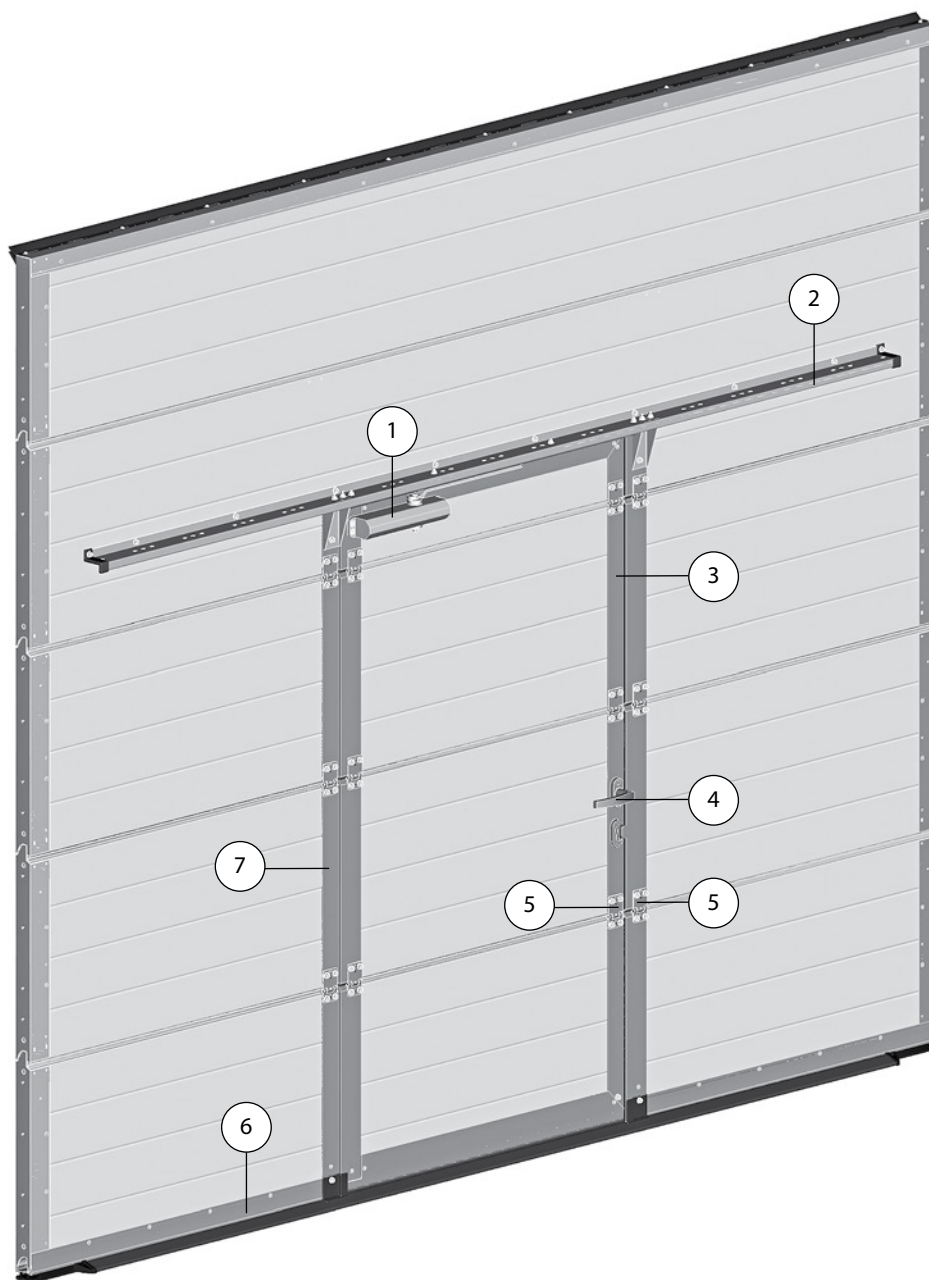
3

4

1.3

Встроенная калитка

ТИПОВАЯ КОНСТРУКЦИЯ КАЛИТКИ С ПЛОСКИМ ПОРОГОМ ВЫСОТОЙ 20 ММ



| № | Наименование |
|---|------------------------------|
| 1 | Доводчик дверной |
| 2 | Профиль усиливающий (PRG-17) |
| 3 | Обрамление калитки |
| 4 | Комплект ручек |
| 5 | Петля промежуточная |
| 6 | Профиль воротный (PRD70) |
| 7 | Обрамление проема |

1.1

1.2

1.3

1.4

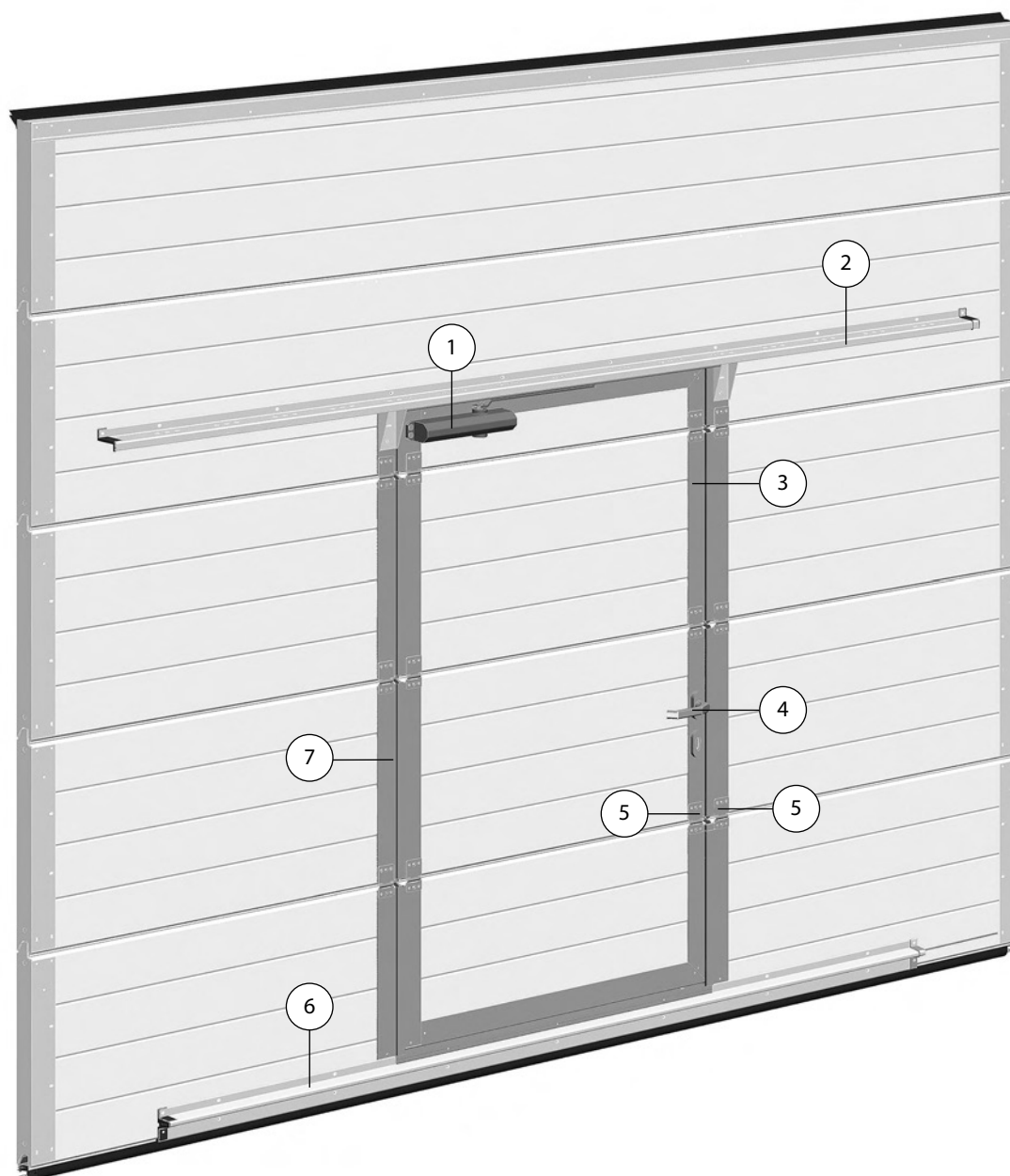
1.5

2

3

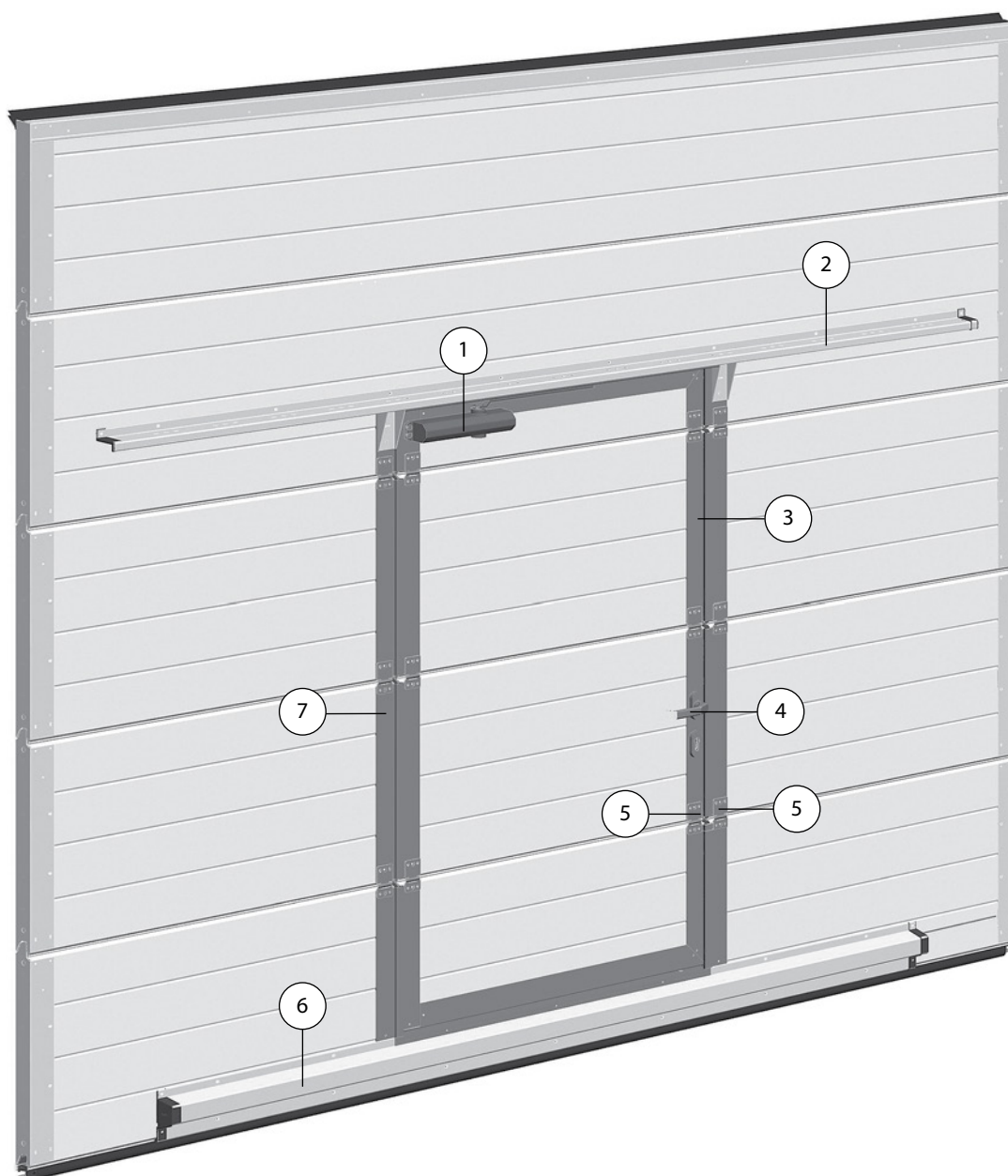
4

ТИПОВАЯ КОНСТРУКЦИЯ КАЛИТКИ С НИЗКИМ ПОРОГОМ ВЫСОТОЙ 100 ММ



| № | Наименование |
|---|------------------------------|
| 1 | Доводчик дверной |
| 2 | Профиль усиливающий (PRG-17) |
| 3 | Обрамление калитки |
| 4 | Комплект ручек |
| 5 | Петля промежуточная |
| 6 | Профиль усиливающий (PRG-12) |
| 7 | Обрамление проема |

ТИПОВАЯ КОНСТРУКЦИЯ КАЛИТКИ СО СТАНДАРТНЫМ ПОРОГОМ ВЫСОТОЙ 145 ММ



| № | Наименование |
|---|------------------------------|
| 1 | Доводчик дверной |
| 2 | Профиль усиливающий (PRG-17) |
| 3 | Обрамление калитки |
| 4 | Комплект ручек |
| 5 | Петля промежуточная |
| 6 | Профиль усиливающий (PRG-13) |
| 7 | Обрамление проема |

1.1

1.2

1.3

1.4

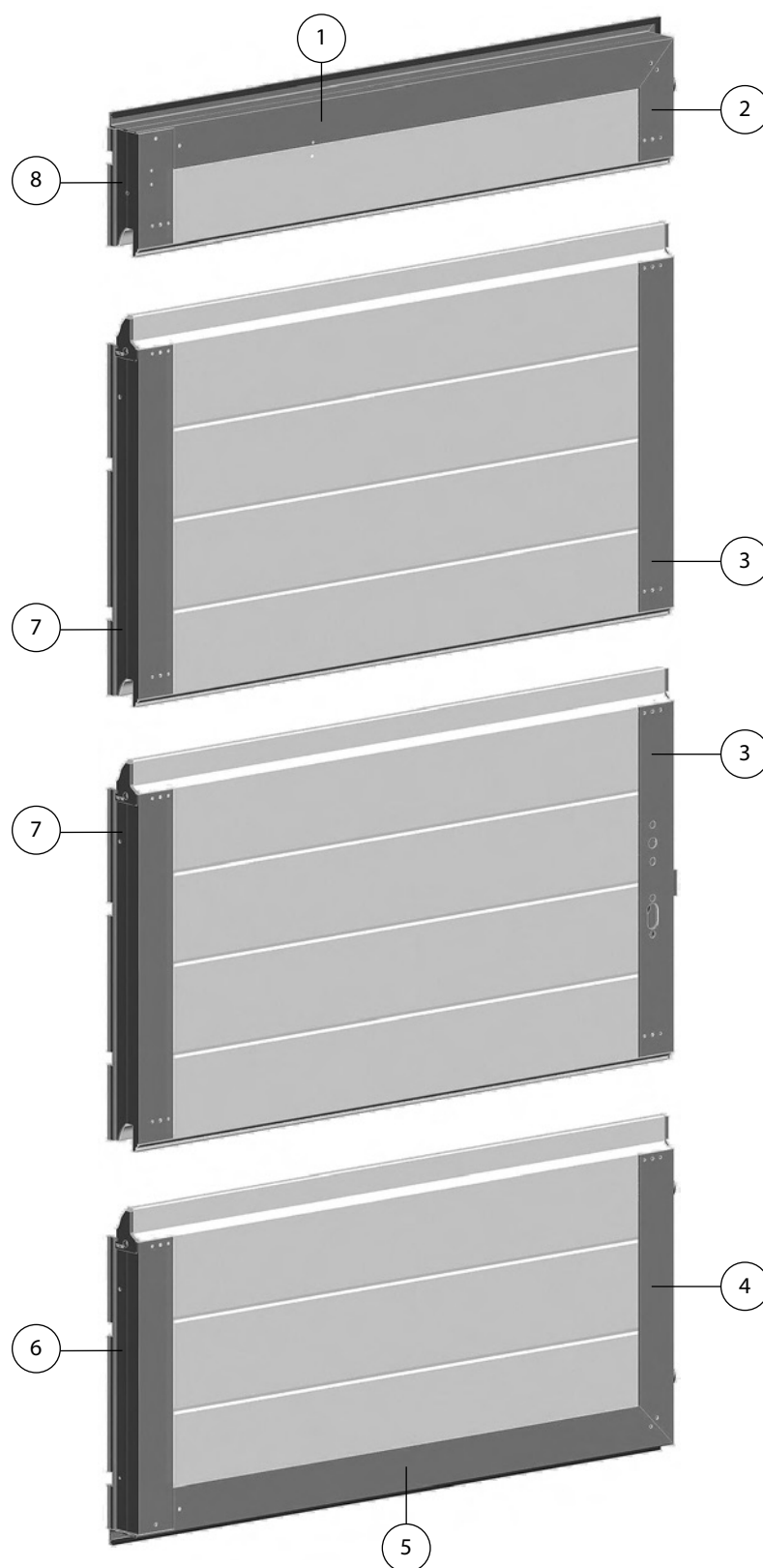
1.5

2

3

4

ОБРАМЛЕНИЕ КАЛИТКИ



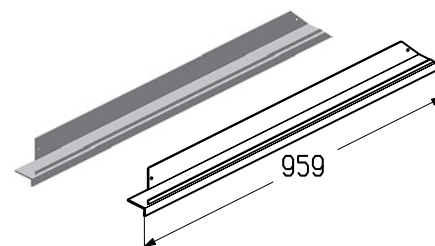
| № | Наименование |
|---|----------------------------|
| 1 | Обрамление верха калитки |
| 2 | Обрамление калитки верхнее |
| 3 | Обрамление калитки среднее |
| 4 | Обрамление калитки нижнее |
| 5 | Обрамление низа калитки |
| 6 | Петля калитки нижняя |
| 7 | Петля калитки средняя |
| 8 | Петля калитки верхняя |

ОБРАМЛЕНИЕ КАЛИТКИ

Обрамление верха калитки

Предназначено для обрамления верхней калиточной панели.
Используется в калитке с плоским, стандартным и низким порогом.

| | |
|---------------------|----------|
| Длина, мм | 959 |
| Материал | алюминий |
| Вес, кг/шт. | 0,751 |
| Единица измерения | шт. |
| Норма поставки, шт. | 10 |

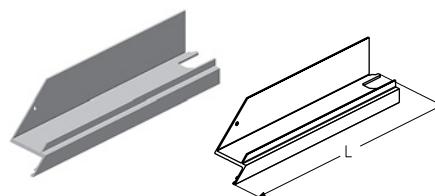


| Артикул | Код | Покрытие | Цвет | Применение |
|------------|-----------|---------------|------------------|-----------------------------|
| WD403R.203 | 404010891 | Анодированное | A00-D6 (серебро) | Для ворот с правой калиткой |
| WD403R.203 | 404011333 | Порошковое | близкий RAL 8019 | |
| WD403L.203 | 404010991 | Анодированное | A00-D6 (серебро) | Для ворот с левой калиткой |
| WD403L.203 | 404011433 | Порошковое | близкий RAL 8019 | |

Обрамление калитки верхнее

Предназначено для обрамления верхней калиточной панели.
Используется в калитке с плоским, стандартным и низким порогом.

| | |
|---------------------|----------|
| Материал | алюминий |
| Единица измерения | шт. |
| Норма поставки, шт. | 10 |

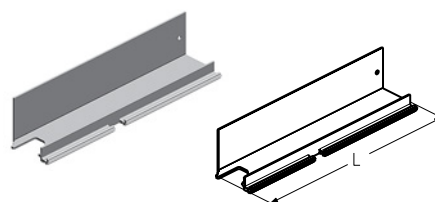


| Артикул | Код | Покрытие | Цвет* | Длина, мм | Вес, кг/шт. | Применение |
|------------|-----------|---------------|------------------|-----------|-------------|-----------------------------|
| WD403R.202 | 404010491 | Анодированное | A00-D6 (серебро) | 191 | 0,136 | Для ворот с правой калиткой |
| WD403R.202 | 404011033 | Порошковое | близкий RAL 8019 | 191 | 0,136 | |
| WD404R.202 | 404010691 | Анодированное | A00-D6 (серебро) | 316 | 0,225 | |
| WD404R.202 | 404011133 | Порошковое | близкий RAL 8019 | 316 | 0,225 | |
| WD403L.202 | 404010591 | Анодированное | A00-D6 (серебро) | 191 | 0,136 | Для ворот с левой калиткой |
| WD403L.202 | 404011533 | Порошковое | близкий RAL 8019 | 191 | 0,136 | |
| WD404L.202 | 404010791 | Анодированное | A00-D6 (серебро) | 316 | 0,225 | |
| WD404L.202 | 404011233 | Порошковое | близкий RAL 8019 | 316 | 0,225 | |

Петля калитки верхняя

Предназначена для обрамления верхней калиточной панели.
Используется в калитке с плоским, стандартным и низким порогом.

| | |
|---------------------|----------|
| Материал | алюминий |
| Единица измерения | шт. |
| Норма поставки, шт. | 10 |



| Артикул | Код | Покрытие | Цвет* | Длина, мм | Вес, кг/шт. | Применение |
|------------|-----------|---------------|------------------|-----------|-------------|-----------------------------|
| WD403R.201 | 404010091 | Анодированное | A00-D6 (серебро) | 169 | 0,129 | Для ворот с правой калиткой |
| WD403R.201 | 404010633 | Порошковое | близкий RAL 8019 | 169 | 0,129 | |
| WD404R.201 | 404010291 | Анодированное | A00-D6 (серебро) | 294 | 0,225 | |
| WD404R.201 | 404010833 | Порошковое | близкий RAL 8019 | 294 | 0,225 | |
| WD403L.201 | 404010191 | Анодированное | A00-D6 (серебро) | 169 | 0,129 | Для ворот с левой калиткой |
| WD403L.201 | 404010733 | Порошковое | близкий RAL 8019 | 169 | 0,129 | |
| WD404L.201 | 404010391 | Анодированное | A00-D6 (серебро) | 294 | 0,225 | |
| WD404L.201 | 404010933 | Порошковое | близкий RAL 8019 | 294 | 0,225 | |

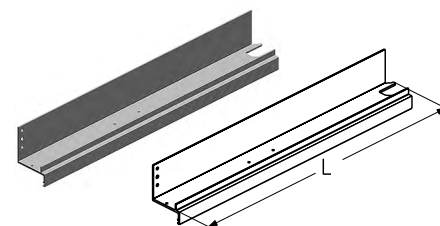
* Указанные цвета имеют близкое соответствие шкале RAL.

ОБРАМЛЕНИЕ КАЛИТКИ

Обрамление калитки среднее

Предназначено для обрамления третьей или четвертой калиточной панели.
Используется в калитке с плоским, стандартным и низким порогом.

Материал алюминий
Единица измерения шт.
Норма поставки, шт. 10

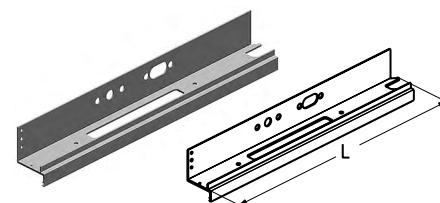


| Артикул | Код | Покрытие | Цвет* | Длина, мм | Вес, кг/шт. | Применение |
|------------|-----------|---------------|------------------|-----------|-------------|-----------------------------|
| WD350R.202 | 404021291 | Анодированное | A00-D6 (серебро) | 490,5 | 0,393 | Для ворот с правой калиткой |
| WD350R.202 | 404021833 | Порошковое | близкий RAL 8019 | 490,5 | 0,393 | |
| WD360R.202 | 404021491 | Анодированное | A00-D6 (серебро) | 615,5 | 0,493 | |
| WD360R.202 | 404022033 | Порошковое | близкий RAL 8019 | 615,5 | 0,493 | |
| WD350L.202 | 404021391 | Анодированное | A00-D6 (серебро) | 490,5 | 0,393 | Для ворот с левой калиткой |
| WD350L.202 | 404021933 | Порошковое | близкий RAL 8019 | 490,5 | 0,393 | |
| WD360L.202 | 404021591 | Анодированное | A00-D6 (серебро) | 615,5 | 0,493 | |
| WD360L.202 | 404022133 | Порошковое | близкий RAL 8019 | 615,5 | 0,493 | |

Обрамление калитки среднее

Предназначено для обрамления второй или третьей калиточной панели.
Используется в калитке с плоским, стандартным и низким порогом.

Материал алюминий
Единица измерения шт.
Норма поставки, шт. 10

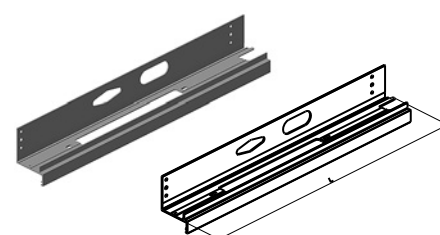


| Артикул | Код | Покрытие | Цвет* | Длина, мм | Вес, кг/шт. | Применение |
|------------|-----------|---------------|------------------|-----------|-------------|-----------------------------|
| WD250R.202 | 404020491 | Анодированное | A00-D6 (серебро) | 490,5 | 0,365 | Для ворот с правой калиткой |
| WD250R.202 | 404021033 | Порошковое | близкий RAL 8019 | 490,5 | 0,365 | |
| WD260R.202 | 404020691 | Анодированное | A00-D6 (серебро) | 615,5 | 0,458 | |
| WD260R.202 | 404021233 | Порошковое | близкий RAL 8019 | 615,5 | 0,458 | |
| WD250L.202 | 404020591 | Анодированное | A00-D6 (серебро) | 490,5 | 0,365 | Для ворот с левой калиткой |
| WD250L.202 | 404021133 | Порошковое | близкий RAL 8019 | 490,5 | 0,365 | |
| WD260L.202 | 404020791 | Анодированное | A00-D6 (серебро) | 615,5 | 0,458 | |
| WD260L.202 | 404021333 | Порошковое | близкий RAL 8019 | 615,5 | 0,458 | |

Обрамление калитки среднее

Предназначено для обрамления второй или третьей калиточной панели.
Используется в калитке с плоским, стандартным и низким порогом.

Материал алюминий
Единица измерения шт.
Норма поставки, шт. 10



| Артикул | Код | Покрытие | Цвет* Степень блеска | Длина, мм | Вес, кг/шт. | Применение |
|---------------|-----------|---------------|----------------------|-----------|-------------|-----------------------------|
| WD250R.202KFV | 407910265 | Анодированное | A00-D6 (серебро) | 490,5 | 0,362 | Для ворот с правой калиткой |
| WD250R.202KFV | 407910264 | Порошковое | Близкий RAL 8019 30 | 490,5 | 0,362 | |
| WD260R.202KFV | 407910269 | Анодированное | A00-D6 (серебро) | 615,5 | 0,454 | |
| WD260R.202KFV | 407910268 | Порошковое | Близкий RAL 8019 30 | 615,5 | 0,454 | |
| WD250L.202KFV | 407910319 | Анодированное | A00-D6 (серебро) | 490,5 | 0,362 | Для ворот с левой калиткой |
| WD250L.202KFV | 407910318 | Порошковое | Близкий RAL 8019 30 | 490,5 | 0,362 | |
| WD260L.202KFV | 407910323 | Анодированное | A00-D6 (серебро) | 615,5 | 0,454 | |
| WD260L.202KFV | 407910322 | Порошковое | Близкий RAL 8019 30 | 615,5 | 0,454 | |

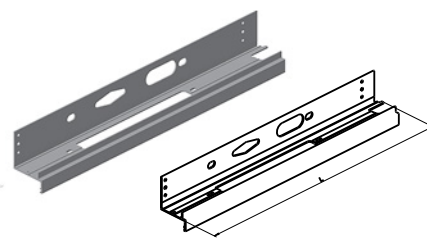
* Указанные цвета имеют близкое соответствие шкале RAL.

ОБРАМЛЕНИЕ КАЛИТКИ

Обрамление калитки среднее

Предназначено для обрамления второй или третьей калиточной панели.
Используется в калитке с плоским, стандартным и низким порогом.

Материал алюминий
Единица измерения шт.
Норма поставки, шт. 10

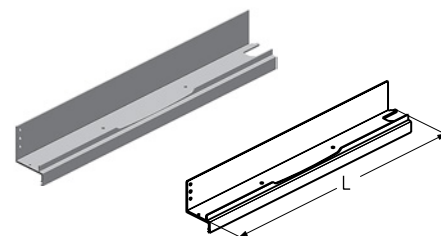


| Артикул | Код | Покрытие | Цвет* Степень блеска | Длина, мм | Вес, кг/шт. | Применение |
|------------------|-----------|---------------|----------------------|-----------|-------------|-----------------------------|
| WD250R.202KfV-01 | 407910247 | Анодированное | A00-D6 (серебро) | 490,5 | 0,362 | Для ворот с правой калиткой |
| WD250R.202KfV-01 | 407910246 | Порошковое | Бликий RAL 8019 30 | 490,5 | 0,362 | |
| WD260R.202KfV-01 | 407910251 | Анодированное | A00-D6 (серебро) | 615,5 | 0,454 | |
| WD260R.202KfV-01 | 407910250 | Порошковое | Бликий RAL 8019 30 | 615,5 | 0,454 | |
| WD250L.202KfV-01 | 407910301 | Анодированное | A00-D6 (серебро) | 490,5 | 0,362 | Для ворот с левой калиткой |
| WD250L.202KfV-01 | 407910300 | Порошковое | Бликий RAL 8019 30 | 490,5 | 0,362 | |
| WD260L.202KfV-01 | 407910305 | Анодированное | A00-D6 (серебро) | 615,5 | 0,454 | |
| WD260L.202KfV-01 | 407910304 | Порошковое | Бликий RAL 8019 30 | 615,5 | 0,454 | |

Обрамление калитки среднее

Предназначено для обрамления второй или третьей калиточной панели.
Используется в калитке с плоским, стандартным и низким порогом с замком «Анти-паник» PED20-45.

Материал алюминий
Единица измерения шт.
Норма поставки, шт. 10



| Артикул | Код | Покрытие | Цвет* | Длина, мм | Вес, кг/шт. | Применение |
|-------------|-----------|---------------|------------------|-----------|-------------|-----------------------------|
| WD250RA.202 | 404020891 | Анодированное | A00-D6 (серебро) | 490,5 | 0,387 | Для ворот с правой калиткой |
| WD250RA.202 | 404021433 | Порошковое | бликий RAL 8019 | 490,5 | 0,387 | |
| WD260RA.202 | 404021091 | Анодированное | A00-D6 (серебро) | 615,5 | 0,485 | |
| WD260RA.202 | 404021633 | Порошковое | бликий RAL 8019 | 615,5 | 0,485 | |
| WD250LA.202 | 404020991 | Анодированное | A00-D6 (серебро) | 490,5 | 0,387 | Для ворот с левой калиткой |
| WD250LA.202 | 404021533 | Порошковое | бликий RAL 8019 | 490,5 | 0,387 | |
| WD260LA.202 | 404021191 | Анодированное | A00-D6 (серебро) | 615,5 | 0,485 | |
| WD260LA.202 | 404021733 | Порошковое | бликий RAL 8019 | 615,5 | 0,485 | |

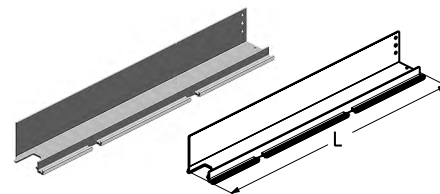
* Указанные цвета имеют близкое соответствие шкале RAL.

ОБРАМЛЕНИЕ КАЛИТКИ

Петля калитки средняя

Предназначена для обрамления четвертой, третьей и второй калиточной панели.
Используется в калитке с плоским, стандартным и низким порогом.

Материал алюминий
 Единица измерения шт.
 Норма поставки, шт. 10

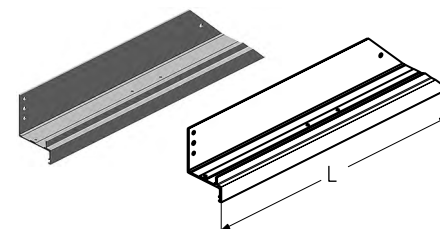


| Артикул | Код | Покрытие | Цвет* | Длина, мм | Вес, кг/шт. | Применение |
|------------|-----------|---------------|------------------|-----------|-------------|-----------------------------|
| WD250R.201 | 404020091 | Анодированное | A00-D6 (серебро) | 490,5 | 0,385 | Для ворот с правой калиткой |
| WD250R.201 | 404020633 | Порошковое | близкий RAL 8019 | 490,5 | 0,385 | |
| WD260R.201 | 404020291 | Анодированное | A00-D6 (серебро) | 615,5 | 0,483 | |
| WD260R.201 | 404020833 | Порошковое | близкий RAL 8019 | 615,5 | 0,483 | |
| WD250L.201 | 404020191 | Анодированное | A00-D6 (серебро) | 490,5 | 0,385 | Для ворот с левой калиткой |
| WD250L.201 | 404020733 | Порошковое | близкий RAL 8019 | 490,5 | 0,385 | |
| WD260L.201 | 404020391 | Анодированное | A00-D6 (серебро) | 615,5 | 0,483 | |
| WD260L.201 | 404020933 | Порошковое | близкий RAL 8019 | 615,5 | 0,483 | |

Обрамление калитки нижнее

Предназначено для обрамления нижней калиточной панели.
Используется в калитке со стандартным порогом.

Материал алюминий
 Единица измерения шт.
 Норма поставки, шт. 10

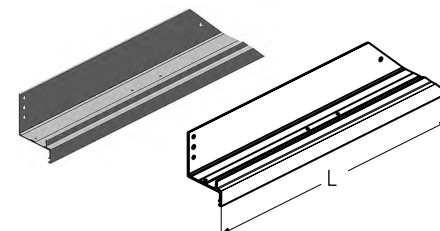


| Артикул | Код | Покрытие | Цвет* | Длина, мм | Вес, кг/шт. | Применение |
|------------|-----------|---------------|------------------|-----------|-------------|-----------------------------|
| WD152R.202 | 404031091 | Анодированное | A00-D6 (серебро) | 377 | 0,291 | Для ворот с правой калиткой |
| WD152R.202 | 404031633 | Порошковое | близкий RAL 8019 | 377 | 0,291 | |
| WD162R.202 | 404031491 | Анодированное | A00-D6 (серебро) | 502 | 0,388 | |
| WD162R.202 | 404032033 | Порошковое | близкий RAL 8019 | 502 | 0,388 | |
| WD152L.202 | 404031191 | Анодированное | A00-D6 (серебро) | 377 | 0,291 | Для ворот с левой калиткой |
| WD152L.202 | 404031733 | Порошковое | близкий RAL 8019 | 377 | 0,291 | |
| WD162L.202 | 404031591 | Анодированное | A00-D6 (серебро) | 502 | 0,388 | |
| WD162L.202 | 404032133 | Порошковое | близкий RAL 8019 | 502 | 0,388 | |

Обрамление калитки нижнее

Предназначено для обрамления нижней калиточной панели.
Используется в калитке с низким порогом.

Материал алюминий
 Единица измерения шт.
 Норма поставки, шт. 10



| Артикул | Код | Покрытие | Цвет* | Длина, мм | Вес, кг/шт. | Применение |
|------------|-----------|---------------|------------------|-----------|-------------|-----------------------------|
| WD151R.202 | 404030891 | Анодированное | A00-D6 (серебро) | 422 | 0,326 | Для ворот с правой калиткой |
| WD151R.202 | 404031433 | Порошковое | близкий RAL 8019 | 422 | 0,326 | |
| WD161R.202 | 404031291 | Анодированное | A00-D6 (серебро) | 547 | 0,470 | |
| WD161R.202 | 404031833 | Порошковое | близкий RAL 8019 | 547 | 0,470 | |
| WD151L.202 | 404030991 | Анодированное | A00-D6 (серебро) | 422 | 0,326 | Для ворот с левой калиткой |
| WD151L.202 | 404031533 | Порошковое | близкий RAL 8019 | 422 | 0,326 | |
| WD161L.202 | 404031391 | Анодированное | A00-D6 (серебро) | 547 | 0,470 | |
| WD161L.202 | 404031933 | Порошковое | близкий RAL 8019 | 547 | 0,470 | |

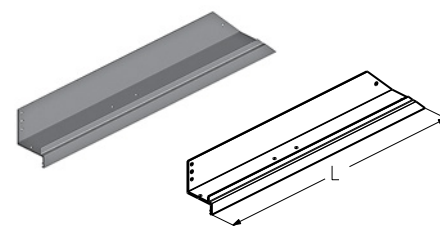
* Указанные цвета имеют близкое соответствие шкале RAL.

ОБРАМЛЕНИЕ КАЛИТКИ

Обрамление калитки нижнее

Предназначено для обрамления нижней калиточной панели.
Используется в калитке с плоским порогом.

Материал алюминий
Единица измерения шт.
Норма поставки, шт. 10

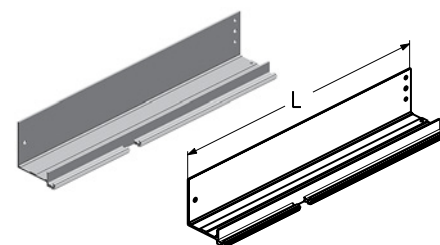


| Артикул | Код | Покрытие | Цвет* | Длина, мм | Вес, кг/шт. | Применение |
|-------------|-----------|---------------|------------------|-----------|-------------|-----------------------------|
| WD-153R.202 | 404232891 | Анодированное | A00-D6 (серебро) | 488,5 | 0,379 | Для ворот с правой калиткой |
| WD-153R.202 | 404232833 | Порошковое | близкий RAL 8019 | 488,5 | 0,379 | |
| WD-163R.202 | 404232991 | Анодированное | A00-D6 (серебро) | 613,5 | 0,483 | |
| WD-163R.202 | 404232933 | Порошковое | близкий RAL 8019 | 613,5 | 0,483 | |
| WD-153L.202 | 404032191 | Анодированное | A00-D6 (серебро) | 488,5 | 0,379 | Для ворот с левой калиткой |
| WD-153L.202 | 404032733 | Порошковое | близкий RAL 8019 | 488,5 | 0,379 | |
| WD-163L.202 | 404031991 | Анодированное | A00-D6 (серебро) | 613,5 | 0,483 | |
| WD-163L.202 | 404032533 | Порошковое | близкий RAL 8019 | 613,5 | 0,483 | |

Петля калитки нижняя

Предназначена для обрамления нижней калиточной панели.
Используется в калитке со стандартным порогом.

Материал алюминий
Единица измерения шт.
Норма поставки, шт. 10

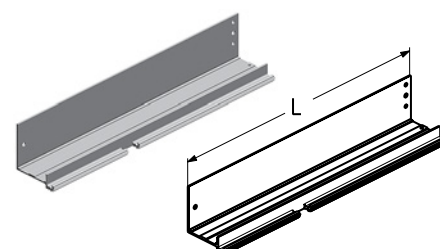


| Артикул | Код | Покрытие | Цвет* | Длина, мм | Вес, кг/шт. | Применение |
|------------|-----------|---------------|------------------|-----------|-------------|-----------------------------|
| WD152R.201 | 404030291 | Анодированное | A00-D6 (серебро) | 355 | 0,287 | Для ворот с правой калиткой |
| WD152R.201 | 404030833 | Порошковое | близкий RAL 8019 | 355 | 0,287 | |
| WD162R.201 | 404030691 | Анодированное | A00-D6 (серебро) | 480 | 0,387 | |
| WD162R.201 | 404031233 | Порошковое | близкий RAL 8019 | 480 | 0,387 | |
| WD152L.201 | 404030391 | Анодированное | A00-D6 (серебро) | 355 | 0,287 | Для ворот с левой калиткой |
| WD152L.201 | 404030933 | Порошковое | близкий RAL 8019 | 355 | 0,287 | |
| WD162L.201 | 404030791 | Анодированное | A00-D6 (серебро) | 480 | 0,387 | |
| WD162L.201 | 404031333 | Порошковое | близкий RAL 8019 | 480 | 0,387 | |

Петля калитки нижняя

Предназначена для обрамления нижней калиточной панели.
Используется в калитке с низким порогом.

Материал алюминий
Единица измерения шт.
Норма поставки, шт. 10



| Артикул | Код | Покрытие | Цвет* | Длина, мм | Вес, кг/шт. | Применение |
|------------|-----------|---------------|------------------|-----------|-------------|-----------------------------|
| WD151R.201 | 404030091 | Анодированное | A00-D6 (серебро) | 400 | 0,323 | Для ворот с правой калиткой |
| WD151R.201 | 404030633 | Порошковое | близкий RAL 8019 | 400 | 0,323 | |
| WD161R.201 | 404030491 | Анодированное | A00-D6 (серебро) | 525 | 0,424 | |
| WD161R.201 | 404031033 | Порошковое | близкий RAL 8019 | 525 | 0,424 | |
| WD151L.201 | 404030191 | Анодированное | A00-D6 (серебро) | 400 | 0,323 | Для ворот с левой калиткой |
| WD151L.201 | 404030733 | Порошковое | близкий RAL 8019 | 400 | 0,323 | |
| WD161L.201 | 404030591 | Анодированное | A00-D6 (серебро) | 525 | 0,424 | |
| WD161L.201 | 404031133 | Порошковое | близкий RAL 8019 | 525 | 0,424 | |

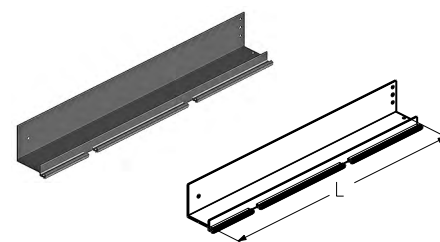
* Указанные цвета имеют близкое соответствие шкале RAL.

ОБРАМЛЕНИЕ КАЛИТКИ

Петля калитки нижняя

Предназначена для обрамления нижней калиточной панели.
Используется в калитке с плоским порогом.

Материал алюминий
Единица измерения шт.
Норма поставки, шт. 10

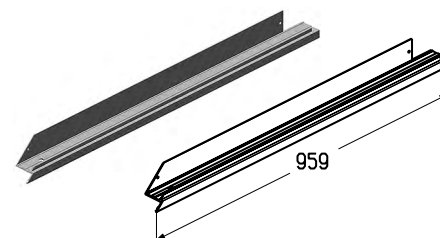


| Артикул | Код | Покрытие | Цвет* | Длина, мм | Вес, кг/шт. | Применение |
|-------------|-----------|---------------|------------------|-----------|-------------|-----------------------------|
| WD-153R.201 | 404232691 | Анодированное | A00-D6 (серебро) | 466,5 | 0,418 | Для ворот с правой калиткой |
| WD-153R.201 | 404232633 | Порошковое | близкий RAL 8019 | 466,5 | 0,418 | |
| WD-163R.201 | 404232791 | Анодированное | A00-D6 (серебро) | 591,5 | 0,532 | |
| WD-163R.201 | 404232733 | Порошковое | близкий RAL 8019 | 591,5 | 0,532 | |
| WD-153L.201 | 404233191 | Анодированное | A00-D6 (серебро) | 466,5 | 0,418 | Для ворот с левой калиткой |
| WD-153L.201 | 404233133 | Порошковое | близкий RAL 8019 | 466,5 | 0,418 | |
| WD-163L.201 | 404233291 | Анодированное | A00-D6 (серебро) | 591,5 | 0,532 | |
| WD-163L.201 | 404233233 | Порошковое | близкий RAL 8019 | 591,5 | 0,532 | |

Обрамление низа калитки

Предназначено для обрамления нижней калиточной панели.
Используется в калитке со стандартным и низким порогом.

Длина, мм 959
Материал алюминий
Единица измерения шт.
Норма поставки, шт. 10

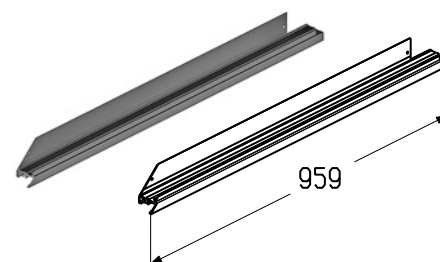


| Артикул | Код | Покрытие | Цвет | Применение |
|------------|-----------|---------------|------------------|-----------------------------|
| WD151R.203 | 404031691 | Анодированное | A00-D6 (серебро) | Для ворот с правой калиткой |
| WD151R.203 | 404032233 | Порошковое | близкий RAL 8019 | |
| WD151L.203 | 404031791 | Анодированное | A00-D6 (серебро) | Для ворот с левой калиткой |
| WD151L.203 | 404032333 | Порошковое | близкий RAL 8019 | |

Обрамление низа калитки

Предназначено для обрамления нижней калиточной панели.
Используется в калитке с плоским порогом.

Длина, мм 959
Вес, кг/м 0,934
Материал алюминий
Единица измерения шт.
Норма поставки, шт. 10

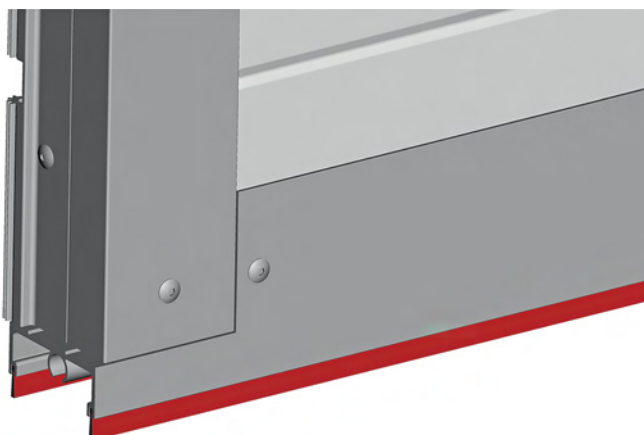


| Артикул | Код | Покрытие | Цвет* | Применение |
|-------------|-----------|---------------|------------------|-----------------------------|
| WD-153R.203 | 404233091 | Анодированное | A00-D6 (серебро) | Для ворот с правой калиткой |
| WD-153R.203 | 404233033 | Порошковое | близкий RAL 8019 | |
| WD-153L.203 | 404032091 | Анодированное | A00-D6 (серебро) | Для ворот с левой калиткой |
| WD-153L.203 | 404032633 | Порошковое | близкий RAL 8019 | |

* Указанные цвета имеют близкое соответствие шкале RAL.

ОБРАМЛЕНИЕ КАЛИТКИ

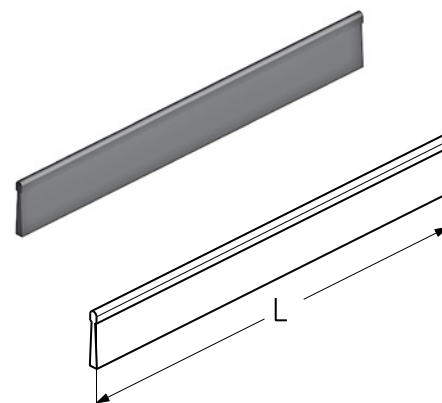
УСТАНОВКА ВСТАВКИ-ЩЕТКИ

**Вставка-щетка**

Предназначена для герметизации нижней части проема калитки.
Используется в калитке с плоским порогом.

Вес, кг/шт. 0,023
Единица измерения М
Норма поставки, м 300

| Артикул | Код |
|---------|-----------|
| BS11 | 404407000 |



1.1

1.2

1.3

1.4

1.5

2

3

4

ОБРАМЛЕНИЕ КАЛИТКИ

УСТАНОВКА ЗАГЛУШКИ

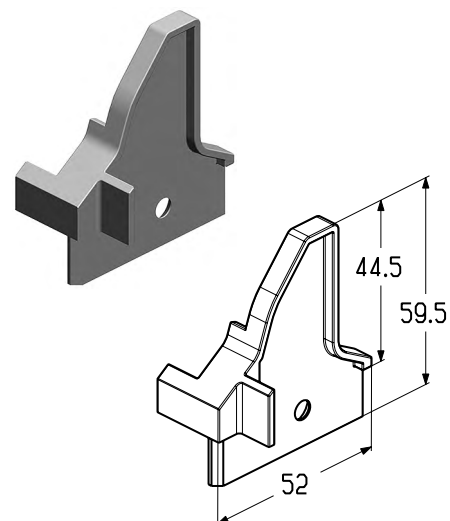


Заглушка

Устанавливается совместно с обрамлением калитки в нижней и промежуточных панелях.
Используется в калитке с плоским, стандартным и низким порогом.

| | |
|--------------------------|-------|
| Материал | PA |
| Вес, кг/шт. | 0,006 |
| Единица измерения | шт. |
| Норма поставки, шт. | 90 |

| Артикул | Код | Цвет | Применение |
|----------|-----------|------------|-----------------------------|
| WD22R-GR | 401711300 | Серый | Для ворот с правой калиткой |
| WD22R-BR | 401711400 | Коричневый | |
| WD22L-GR | 401711500 | Серый | Для ворот с левой калиткой |
| WD22L-BR | 401711600 | Коричневый | |

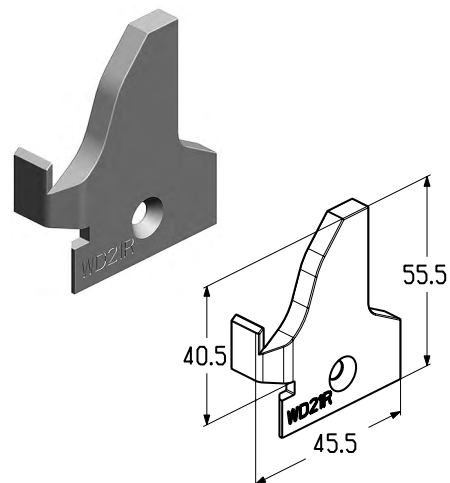


Заглушка

Устанавливается совместно с петлей калитки в нижней и промежуточных панелях.
Используется в калитке с плоским, стандартным и низким порогом.

| | |
|--------------------------|-------|
| Материал | PA |
| Вес, кг/шт. | 0,006 |
| Единица измерения | шт. |
| Норма поставки, шт. | 90 |

| Артикул | Код | Цвет | Применение |
|----------|-----------|------------|-----------------------------|
| WD21R-GR | 401710900 | Серый | Для ворот с правой калиткой |
| WD21R-BR | 401711000 | Коричневый | |
| WD21L-GR | 401711100 | Серый | Для ворот с левой калиткой |
| WD21L-BR | 401711200 | Коричневый | |



ОБРАМЛЕНИЕ КАЛИТКИ

УСТАНОВКА ЛОВИТЕЛЯ

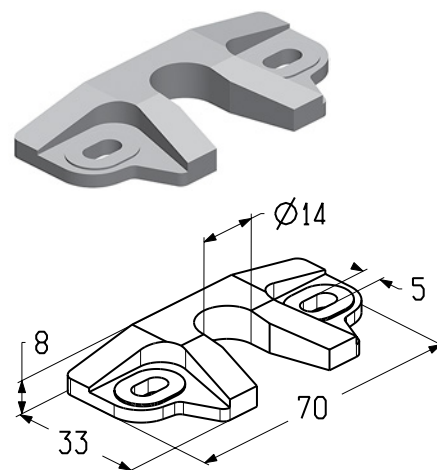


Ловитель

Устанавливается на обрамление калитки в первой и третьей (или четвертой) панелях. Используется в калитке с плоским, стандартным и низким порогом.

| | |
|--------------------------|-------|
| Материал | PA |
| Вес, кг/шт. | 0,006 |
| Единица измерения | шт. |
| Норма поставки, шт. | 80 |

| Артикул | Код |
|---------|-----------|
| WD2011 | 401730100 |

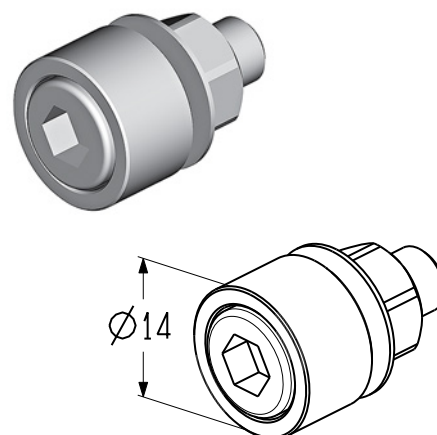


Комплект опоры ловителя

Применяется совместно с ловителем (WD2011). Устанавливается на обрамление проема в первой и третьей (или четвертой) панелях. Используется в калитке с плоским, стандартным и низким порогом.

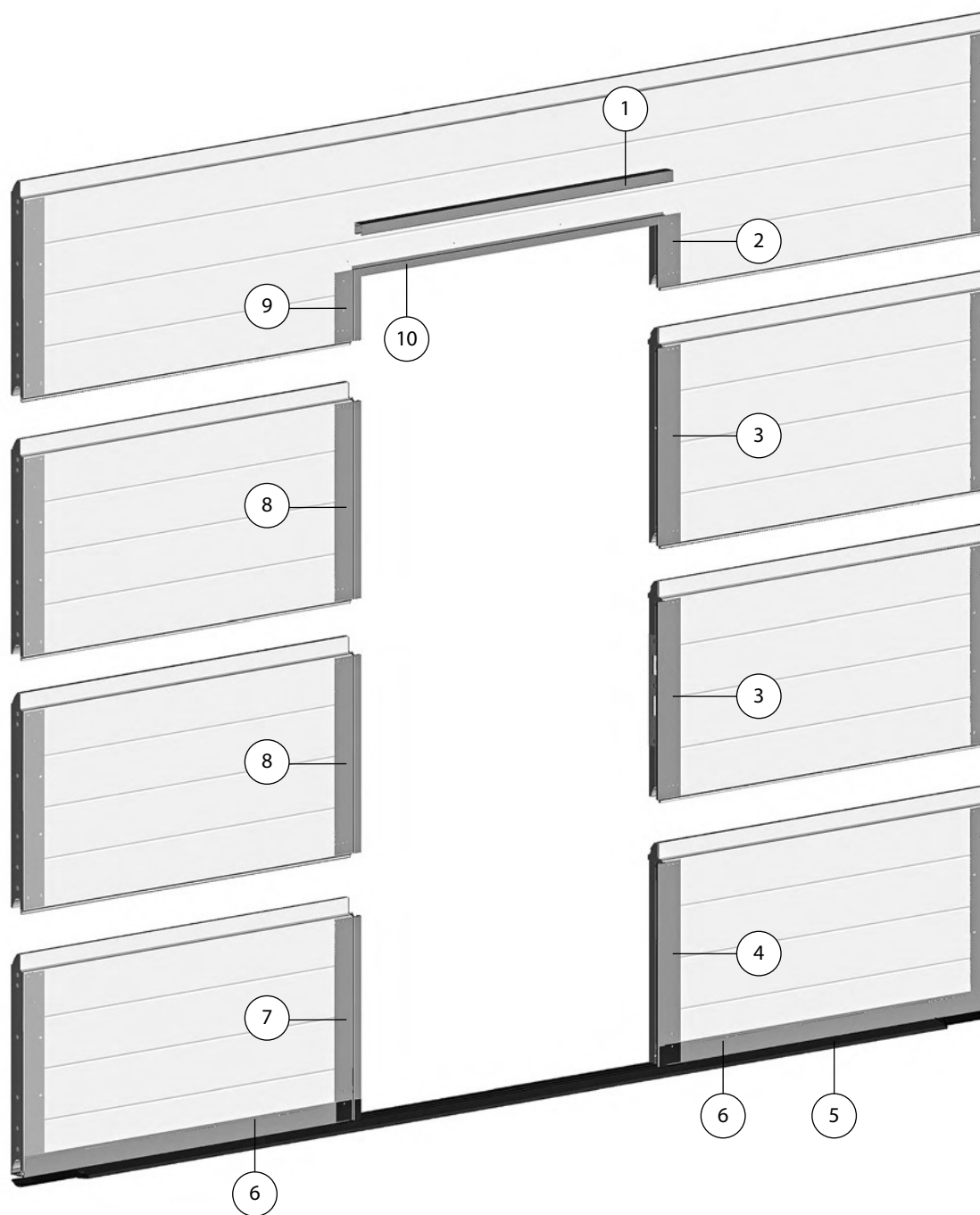
| | |
|--------------------------|-------------------|
| Материал | нержавеющая сталь |
| Вес, кг/шт. | 0,01 |
| Единица измерения | шт. |
| Норма поставки, шт. | 1000 |

| Артикул | Код |
|---------|-----------|
| WD2031 | 401730200 |



УСТАНОВКА ПРОФИЛЕЙ ОБРАМЛЕНИЯ ПРОЕМА

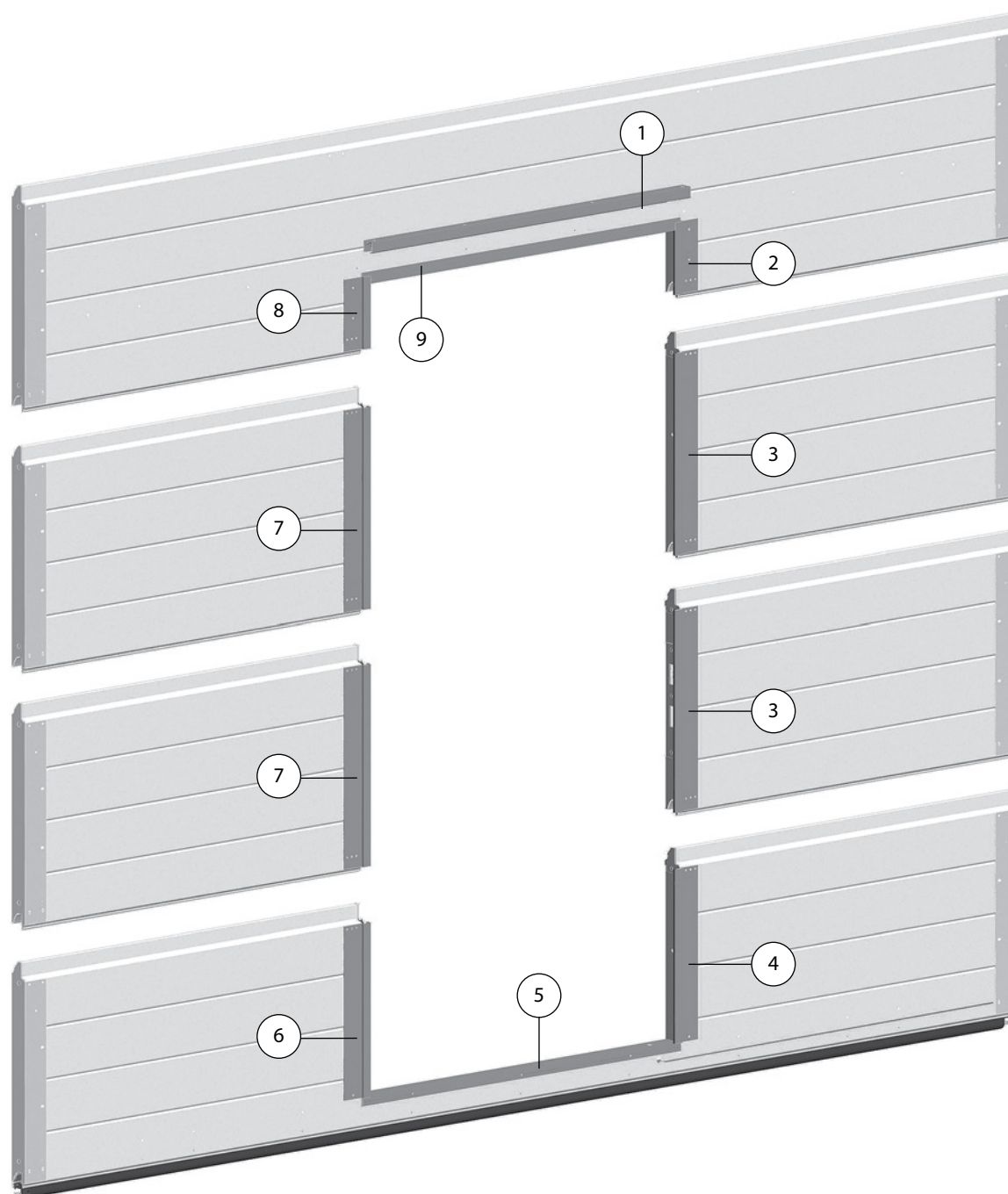
КАЛИТКА С ПЛОСКИМ ПОРОГОМ 20 ММ



| № | Наименование | № | Наименование |
|---|---------------------------|----|--------------------------|
| 1 | Шина доводчика | 6 | Профиль воротный (PRD71) |
| 2 | Обрамление проема верхнее | 7 | Петля проема нижняя |
| 3 | Обрамление проема среднее | 8 | Петля проема средняя |
| 4 | Обрамление проема нижнее | 9 | Петля проема верхняя |
| 5 | Профиль воротный (PRD70) | 10 | Обрамление верха проема |

УСТАНОВКА ПРОФИЛЕЙ ОБРАМЛЕНИЯ ПРОЕМА

КАЛИТКА С НИЗКИМ (ВЫСОТОЙ 100 ММ) И СТАНДАРТНЫМ (ВЫСОТОЙ 145 ММ) ПОРОГОМ



| № | Наименование | № | Наименование |
|---|---------------------------|---|-------------------------|
| 1 | Шина доводчика | 6 | Петля проема нижняя |
| 2 | Обрамление проема верхнее | 7 | Петля проема средняя |
| 3 | Обрамление проема среднее | 8 | Петля проема верхняя |
| 4 | Обрамление проема нижнее | 9 | Обрамление верха проема |
| 5 | Обрамление низа проема | | |

1.1

1.2

1.3

1.4

1.5

2

3

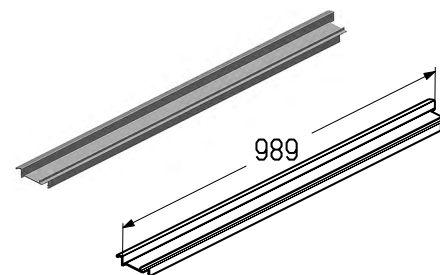
4

ОБРАМЛЕНИЕ ПРОЕМА

Обрамление верха проема

Предназначено для обрамления проема верхней панели.
Используется в калитке с плоским, стандартным и низким порогом.

| | |
|---------------------|----------|
| Длина, мм | 989 |
| Материал | алюминий |
| Вес, кг/шт. | 0,654 |
| Единица измерения | шт. |
| Норма поставки, шт. | 10 |

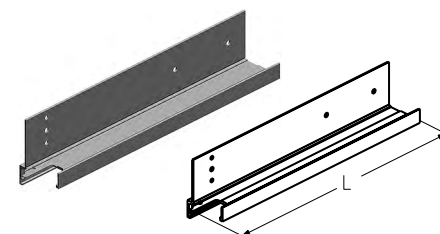


| Артикул | Код | Покрытие | Цвет* | Применение |
|------------|-----------|---------------|------------------|-----------------------------|
| WD403R.103 | 404110491 | Анодированное | A00-D6 (серебро) | Для ворот с правой калиткой |
| WD403R.103 | 404110933 | Порошковое | близкий RAL 8019 | |
| WD403L.103 | 404110591 | Анодированное | A00-D6 (серебро) | Для ворот с левой калиткой |
| WD403L.103 | 404111033 | Порошковое | близкий RAL 8019 | |

Обрамление проема верхнее

Предназначено для обрамления проема верхней панели.
Используется в калитке с плоским, стандартным и низким порогом.

| | |
|---------------------|----------|
| Материал | алюминий |
| Единица измерения | шт. |
| Норма поставки, шт. | 10 |

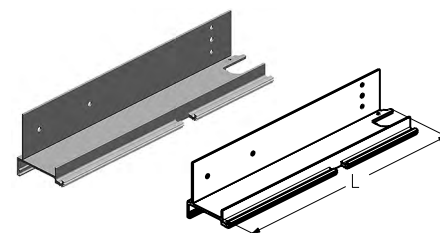


| Артикул | Код | Покрытие | Цвет* | Длина, мм | Вес, кг/шт. | Применение |
|------------|-----------|---------------|------------------|-----------|-------------|-----------------------------|
| WD403R.302 | 404110691 | Анодированное | A00-D6 (серебро) | 183 | 0,143 | Для ворот с правой калиткой |
| WD403R.302 | 404111133 | Порошковое | близкий RAL 8019 | 183 | 0,143 | |
| WD404R.302 | 404110891 | Анодированное | A00-D6 (серебро) | 308 | 0,241 | |
| WD404R.302 | 404111333 | Порошковое | близкий RAL 8019 | 308 | 0,241 | |
| WD403L.302 | 404110791 | Анодированное | A00-D6 (серебро) | 183 | 0,143 | Для ворот с левой калиткой |
| WD403L.302 | 404111233 | Порошковое | близкий RAL 8019 | 183 | 0,143 | |
| WD404L.302 | 404110991 | Анодированное | A00-D6 (серебро) | 308 | 0,241 | |
| WD404L.302 | 404111433 | Порошковое | близкий RAL 8019 | 308 | 0,241 | |

Петля проема верхняя

Предназначена для обрамления проема верхней панели.
Используется в калитке с плоским, стандартным и низким порогом.

| | |
|---------------------|----------|
| Материал | алюминий |
| Единица измерения | шт. |
| Норма поставки, шт. | 10 |



| Артикул | Код | Покрытие | Цвет* | Длина, мм | Вес, кг/шт. | Применение |
|------------|-----------|---------------|------------------|-----------|-------------|-----------------------------|
| WD403R.101 | 404110091 | Анодированное | A00-D6 (серебро) | 183 | 0,167 | Для ворот с правой калиткой |
| WD403R.101 | 404110533 | Порошковое | близкий RAL 8019 | 183 | 0,167 | |
| WD404R.101 | 404110291 | Анодированное | A00-D6 (серебро) | 308 | 0,282 | |
| WD404R.101 | 404110733 | Порошковое | близкий RAL 8019 | 308 | 0,282 | |
| WD403L.101 | 404110191 | Анодированное | A00-D6 (серебро) | 183 | 0,167 | Для ворот с левой калиткой |
| WD403L.101 | 404110633 | Порошковое | близкий RAL 8019 | 183 | 0,167 | |
| WD404L.101 | 404110391 | Анодированное | A00-D6 (серебро) | 308 | 0,282 | |
| WD404L.101 | 404110833 | Порошковое | близкий RAL 8019 | 308 | 0,282 | |

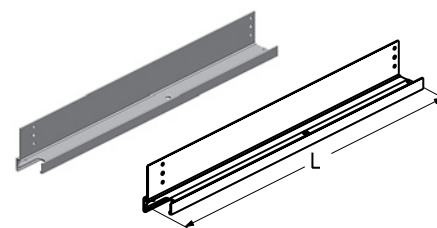
* Указанные цвета имеют близкое соответствие шкале RAL.

ОБРАМЛЕНИЕ ПРОЕМА

Обрамление проема среднее

Предназначено для обрамления проема третьей или четвертой панели.
Используется в калитке с плоским, стандартным и низким порогом.

Материал алюминий
Единица измерения шт.
Норма поставки, шт. 10

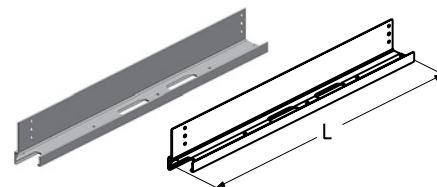


| Артикул | Код | Покрытие | Цвет* | Длина, мм | Вес, кг/шт. | Применение |
|------------|-----------|---------------|------------------|-----------|-------------|-----------------------------|
| WD350R.302 | 404121291 | Анодированное | A00-D6 (серебро) | 490,5 | 0,391 | Для ворот с правой калиткой |
| WD350R.302 | 404121833 | Порошковое | близкий RAL 8019 | 490,5 | 0,391 | |
| WD360R.302 | 404121491 | Анодированное | A00-D6 (серебро) | 615,5 | 0,490 | |
| WD360R.302 | 404122033 | Порошковое | близкий RAL 8019 | 615,5 | 0,490 | |
| WD350L.302 | 404121391 | Анодированное | A00-D6 (серебро) | 490,5 | 0,391 | Для ворот с левой калиткой |
| WD350L.302 | 404121933 | Порошковое | близкий RAL 8019 | 490,5 | 0,391 | |
| WD360L.302 | 404121591 | Анодированное | A00-D6 (серебро) | 615,5 | 0,490 | |
| WD360L.302 | 404122133 | Порошковое | близкий RAL 8019 | 615,5 | 0,490 | |

Обрамление проема среднее

Предназначено для обрамления проема второй или третьей панели.
Используется в калитке с плоским, стандартным и низким порогом.

Материал алюминий
Единица измерения шт.
Норма поставки, шт. 10

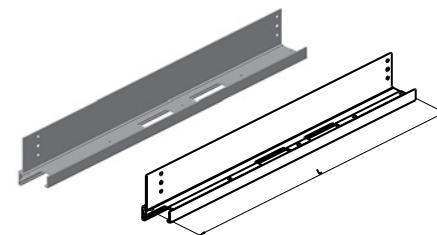


| Артикул | Код | Покрытие | Цвет* | Длина, мм | Вес, кг/шт. | Применение |
|------------|-----------|---------------|------------------|-----------|-------------|-----------------------------|
| WD250R.302 | 404120491 | Анодированное | A00-D6 (серебро) | 490,5 | 0,380 | Для ворот с правой калиткой |
| WD250R.302 | 404121033 | Порошковое | близкий RAL 8019 | 490,5 | 0,380 | |
| WD260R.302 | 404120691 | Анодированное | A00-D6 (серебро) | 615,5 | 0,477 | |
| WD260R.302 | 404121233 | Порошковое | близкий RAL 8019 | 615,5 | 0,477 | |
| WD250L.302 | 404120591 | Анодированное | A00-D6 (серебро) | 490,5 | 0,380 | Для ворот с левой калиткой |
| WD250L.302 | 404121133 | Порошковое | близкий RAL 8019 | 490,5 | 0,380 | |
| WD260L.302 | 404120791 | Анодированное | A00-D6 (серебро) | 615,5 | 0,477 | |
| WD260L.302 | 404121333 | Порошковое | близкий RAL 8019 | 615,5 | 0,477 | |

Обрамление проема среднее

Предназначено для обрамления проема второй или третьей панели.
Используется в калитке с плоским, стандартным и низким порогом.

Материал алюминий
Единица измерения шт.
Норма поставки, шт. 10



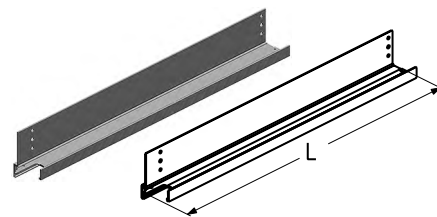
| Артикул | Код | Покрытие | Цвет* Степень блеска | Длина, мм | Вес, кг/шт. | Применение |
|---------------|-----------|---------------|----------------------|-----------|-------------|-----------------------------|
| WD250R.302KFV | 407910229 | Анодированное | A00-D6 (серебро) | 490,5 | 0,377 | Для ворот с правой калиткой |
| WD250R.302KFV | 407910228 | Порошковое | Близкий RAL 8019 30 | 490,5 | 0,377 | |
| WD260R.302KFV | 407910233 | Анодированное | A00-D6 (серебро) | 615,5 | 0,473 | |
| WD260R.302KFV | 407910232 | Порошковое | Близкий RAL 8019 30 | 615,5 | 0,473 | |
| WD250L.302KFV | 407910283 | Анодированное | A00-D6 (серебро) | 490,5 | 0,377 | Для ворот с левой калиткой |
| WD250L.302KFV | 407910282 | Порошковое | Близкий RAL 8019 30 | 490,5 | 0,377 | |
| WD260L.302KFV | 407910287 | Анодированное | A00-D6 (серебро) | 615,5 | 0,473 | |
| WD260L.302KFV | 407910286 | Порошковое | Близкий RAL 8019 30 | 615,5 | 0,473 | |

* Указанные цвета имеют близкое соответствие шкале RAL.

Обрамление проема среднее

Предназначено для обрамления проема второй или третьей панели.
 Используется в калитке с плоским, стандартным и низким порогом
 с замком «Анти-паник».

Материал алюминий
 Единица измерения шт.
 Норма поставки, шт. 10



| Артикул | Код | Покрытие | Цвет* | Длина, мм | Вес, кг/шт. | Применение |
|-------------|-----------|---------------|------------------|-----------|-------------|--------------------------------|
| WD250RA.302 | 404120891 | Анодированное | A00-D6 (серебро) | 490,5 | 0,391 | Для ворот с правой калиткой |
| WD250RA.302 | 404120433 | Порошковое | близкий RAL 8019 | 490,5 | 0,391 | |
| WD260RA.302 | 404121091 | Анодированное | A00-D6 (серебро) | 615,5 | 0,490 | |
| WD260RA.302 | 404121633 | Порошковое | близкий RAL 8019 | 615,5 | 0,490 | |
| WD250LA.302 | 404120991 | Анодированное | A00-D6 (серебро) | 490,5 | 0,391 | Для ворот с левой калиткой |
| WD250LA.302 | 404121533 | Порошковое | близкий RAL 8019 | 490,5 | 0,391 | |
| WD260LA.302 | 404121191 | Анодированное | A00-D6 (серебро) | 615,5 | 0,490 | |
| WD260LA.302 | 404121733 | Порошковое | близкий RAL 8019 | 615,5 | 0,490 | |

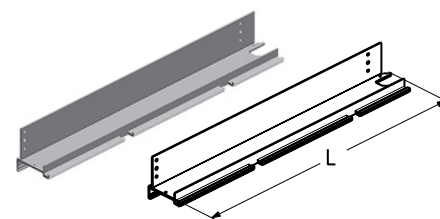
* Указанные цвета имеют близкое соответствие шкале RAL.

ОБРАМЛЕНИЕ ПРОЕМА

Петля проема средняя

Предназначена для обрамления проема четвертой, третьей и второй панелей.
Используется в калитке с плоским, стандартным и низким порогом.

Материал алюминий
Единица измерения шт.
Норма поставки, шт. 10

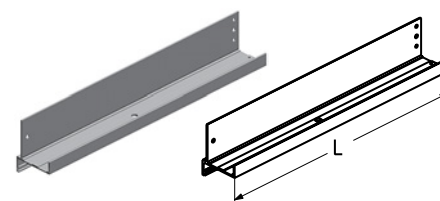


| Артикул | Код | Покрытие | Цвет* | Длина, мм | Вес, кг/шт. | Применение |
|------------|-----------|---------------|------------------|-----------|-------------|-----------------------------|
| WD250R.101 | 404120091 | Анодированное | A00-D6 (серебро) | 490,5 | 0,458 | Для ворот с правой калиткой |
| WD250R.101 | 404120633 | Порошковое | близкий RAL 8019 | 490,5 | 0,458 | |
| WD260R.101 | 404120291 | Анодированное | A00-D6 (серебро) | 615,5 | 0,575 | |
| WD260R.101 | 404120833 | Порошковое | близкий RAL 8019 | 615,5 | 0,575 | |
| WD250L.101 | 404120191 | Анодированное | A00-D6 (серебро) | 490,5 | 0,458 | Для ворот с левой калиткой |
| WD250L.101 | 404120733 | Порошковое | близкий RAL 8019 | 490,5 | 0,458 | |
| WD260L.101 | 404120391 | Анодированное | A00-D6 (серебро) | 615,5 | 0,575 | |
| WD260L.101 | 404120933 | Порошковое | близкий RAL 8019 | 615,5 | 0,575 | |

Обрамление проема нижнее

Предназначено для обрамления проема нижней панели.
Используется в калитке со стандартным порогом.

Материал алюминий
Единица измерения шт.
Норма поставки, шт. 10

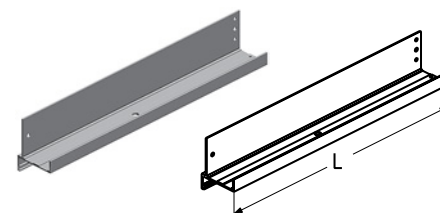


| Артикул | Код | Покрытие | Цвет* | Длина, мм | Вес, кг/шт. | Применение |
|------------|-----------|---------------|------------------|-----------|-------------|-----------------------------|
| WD152R.302 | 404131291 | Анодированное | A00-D6 (серебро) | 369 | 0,305 | Для ворот с правой калиткой |
| WD152R.302 | 404132033 | Порошковое | близкий RAL 8019 | 369 | 0,305 | |
| WD162R.302 | 404131691 | Анодированное | A00-D6 (серебро) | 494 | 0,409 | |
| WD162R.302 | 404132433 | Порошковое | близкий RAL 8019 | 494 | 0,409 | |
| WD152L.302 | 404131391 | Анодированное | A00-D6 (серебро) | 369 | 0,305 | Для ворот с левой калиткой |
| WD152L.302 | 404132133 | Порошковое | близкий RAL 8019 | 369 | 0,305 | |
| WD162L.302 | 404131791 | Анодированное | A00-D6 (серебро) | 494 | 0,409 | |
| WD162L.302 | 404132533 | Порошковое | близкий RAL 8019 | 494 | 0,409 | |

Обрамление проема нижнее

Предназначено для обрамления проема нижней панели.
Используется в калитке с низким порогом.

Материал алюминий
Единица измерения шт.
Норма поставки, шт. 10



| Артикул | Код | Покрытие | Цвет* | Длина, мм | Вес, кг/шт. | Применение |
|------------|-----------|---------------|------------------|-----------|-------------|-----------------------------|
| WD151R.302 | 404131091 | Анодированное | A00-D6 (серебро) | 414 | 0,343 | Для ворот с правой калиткой |
| WD151R.302 | 404131833 | Порошковое | близкий RAL 8019 | 414 | 0,343 | |
| WD161R.302 | 404131491 | Анодированное | A00-D6 (серебро) | 539 | 0,446 | |
| WD161R.302 | 404132233 | Порошковое | близкий RAL 8019 | 539 | 0,446 | |
| WD151L.302 | 404131191 | Анодированное | A00-D6 (серебро) | 414 | 0,343 | Для ворот с левой калиткой |
| WD151L.302 | 404131933 | Порошковое | близкий RAL 8019 | 414 | 0,343 | |
| WD161L.302 | 404131591 | Анодированное | A00-D6 (серебро) | 539 | 0,446 | |
| WD161L.302 | 404132333 | Порошковое | близкий RAL 8019 | 539 | 0,446 | |

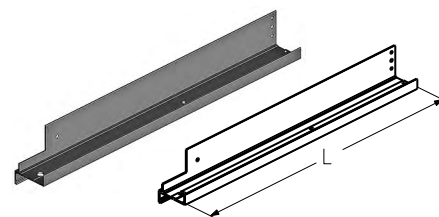
* Указанные цвета имеют близкое соответствие шкале RAL.

ОБРАМЛЕНИЕ ПРОЕМА

Обрамление проема нижнее

Предназначено для обрамления проема нижней панели.
Используется в калитке с плоским порогом.

Материал алюминий
 Единица измерения шт.
 Норма поставки, шт. 10

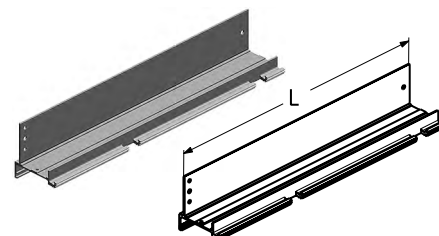


| Артикул | Код | Покрытие | Цвет* | Длина, мм | Вес, кг/шт. | Применение |
|-------------|-----------|---------------|------------------|-----------|-------------|-----------------------------|
| WD-153R.302 | 404232491 | Анодированное | A00-D6 (серебро) | 493 | 0,394 | Для ворот с правой калиткой |
| WD-153R.302 | 404232433 | Порошковое | близкий RAL 8019 | 493 | 0,394 | |
| WD-163R.302 | 404232591 | Анодированное | A00-D6 (серебро) | 618 | 0,497 | |
| WD-163R.302 | 404232533 | Порошковое | близкий RAL 8019 | 618 | 0,497 | |
| WD-153L.302 | 404131891 | Анодированное | A00-D6 (серебро) | 493 | 0,394 | Для ворот с левой калиткой |
| WD-153L.302 | 404132633 | Порошковое | близкий RAL 8019 | 493 | 0,394 | |
| WD-163L.302 | 404132091 | Анодированное | A00-D6 (серебро) | 618 | 0,497 | |
| WD-163L.302 | 404132833 | Порошковое | близкий RAL 8019 | 618 | 0,497 | |

Петля проема нижняя

Предназначена для обрамления проема нижней панели.
Используется в калитке со стандартным порогом.

Материал алюминий
 Единица измерения шт.
 Норма поставки, шт. 10

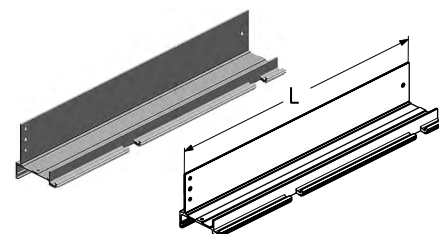


| Артикул | Код | Покрытие | Цвет* | Длина, мм | Вес, кг/шт. | Применение |
|------------|-----------|---------------|------------------|-----------|-------------|-----------------------------|
| WD152R.101 | 404130291 | Анодированное | A00-D6 (серебро) | 369 | 0,355 | Для ворот с правой калиткой |
| WD152R.101 | 404131033 | Порошковое | близкий RAL 8019 | 369 | 0,355 | |
| WD162R.101 | 404130691 | Анодированное | A00-D6 (серебро) | 494 | 0,475 | |
| WD162R.101 | 404131433 | Порошковое | близкий RAL 8019 | 494 | 0,475 | |
| WD152L.101 | 404130391 | Анодированное | A00-D6 (серебро) | 369 | 0,355 | Для ворот с левой калиткой |
| WD152L.101 | 404131133 | Порошковое | близкий RAL 8019 | 369 | 0,355 | |
| WD162L.101 | 404130791 | Анодированное | A00-D6 (серебро) | 494 | 0,475 | |
| WD162L.101 | 404131533 | Порошковое | близкий RAL 8019 | 494 | 0,475 | |

Петля проема нижняя

Предназначена для обрамления проема нижней панели.
Используется в калитке с низким порогом.

Материал алюминий
 Единица измерения шт.
 Норма поставки, шт. 10



| Артикул | Код | Покрытие | Цвет* | Длина, мм | Вес, кг/шт. | Применение |
|------------|-----------|---------------|------------------|-----------|-------------|-----------------------------|
| WD151R.101 | 404130091 | Анодированное | A00-D6 (серебро) | 414 | 0,398 | Для ворот с правой калиткой |
| WD151R.101 | 404130833 | Порошковое | близкий RAL 8019 | 414 | 0,398 | |
| WD161R.101 | 404130491 | Анодированное | A00-D6 (серебро) | 539 | 0,518 | |
| WD161R.101 | 404131233 | Порошковое | близкий RAL 8019 | 539 | 0,518 | |
| WD151L.101 | 404130191 | Анодированное | A00-D6 (серебро) | 414 | 0,398 | Для ворот с левой калиткой |
| WD151L.101 | 404130933 | Порошковое | близкий RAL 8019 | 414 | 0,398 | |
| WD161L.101 | 404130591 | Анодированное | A00-D6 (серебро) | 539 | 0,518 | |
| WD161L.101 | 404131333 | Порошковое | близкий RAL 8019 | 539 | 0,518 | |

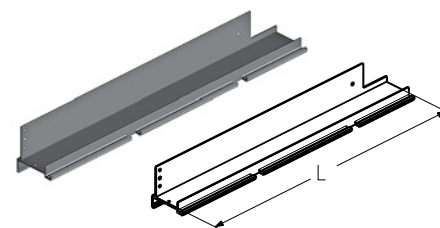
* Указанные цвета имеют близкое соответствие шкале RAL.

ОБРАМЛЕНИЕ ПРОЕМА

Петля проема нижняя

Предназначена для обрамления проема нижней панели.
Используется в калитке с плоским порогом.

Материал алюминий
Единица измерения шт.
Норма поставки, шт. 10

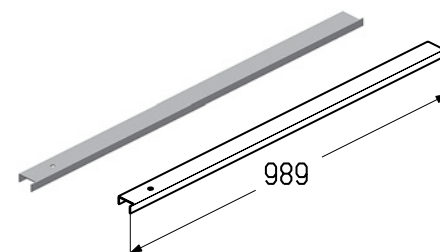


| Артикул | Код | Покрытие | Цвет* | Длина, мм | Вес, кг/шт. | Применение |
|-------------|-----------|---------------|------------------|-----------|-------------|-----------------------------|
| WD-153R.101 | 404232291 | Анодированное | A00-D6 (серебро) | 493 | 0,520 | Для ворот с правой калиткой |
| WD-153R.101 | 404232233 | Порошковое | близкий RAL 8019 | 493 | 0,520 | |
| WD-153L.101 | 404233391 | Анодированное | A00-D6 (серебро) | 493 | 0,520 | |
| WD-153L.101 | 404233333 | Порошковое | близкий RAL 8019 | 493 | 0,520 | |
| WD-163R.101 | 404232391 | Анодированное | A00-D6 (серебро) | 618 | 0,653 | Для ворот с левой калиткой |
| WD-163R.101 | 404232333 | Порошковое | близкий RAL 8019 | 618 | 0,653 | |
| WD-163L.101 | 404233491 | Анодированное | A00-D6 (серебро) | 618 | 0,653 | |
| WD-163L.101 | 404233433 | Порошковое | близкий RAL 8019 | 618 | 0,653 | |

Порог

Предназначен для установки совместно с профилями усиливающими (PRG-12, PRG-13).
Используется в калитке со стандартным и низким порогом.

Длина, мм 989
Материал алюминий
Вес, кг/шт. 0,442
Единица измерения шт.
Норма поставки, шт. 10

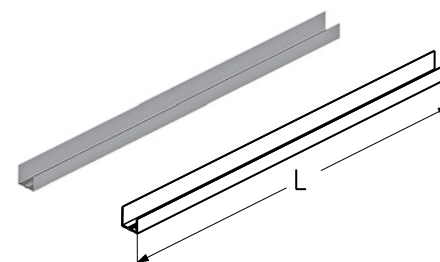


| Артикул | Код | Покрытие | Цвет* | Применение |
|------------|-----------|---------------|------------------|-----------------------------|
| WD151R.103 | 404130891 | Анодированное | A00-D6 (серебро) | Для ворот с правой калиткой |
| WD151R.103 | 404131633 | Порошковое | близкий RAL 8019 | |
| WD151L.103 | 404130991 | Анодированное | A00-D6 (серебро) | Для ворот с левой калиткой |
| WD151L.103 | 404131733 | Порошковое | близкий RAL 8019 | |

Профиль воротный

Предназначен для обрамления нижней панели.
Используется в калитке с плоским порогом.

Длина, мм 6000
Вес, кг/шт. 0,74
Материал алюминий
Единица измерения м
Норма поставки, м 24



| Артикул | Код | Покрытие | Цвет* |
|---------|-----------|---------------|------------------|
| PRD71 | 401490291 | Анодированное | A00-D6 (серебро) |
| PRD71 | 401492433 | Порошковое | близкий RAL 8019 |

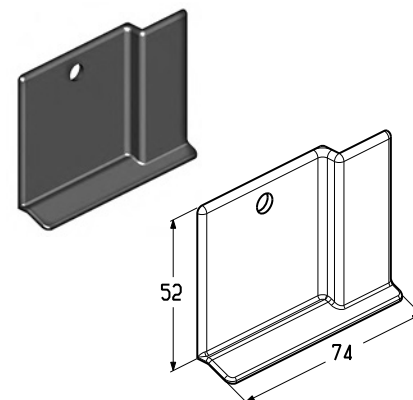
* Указанные цвета имеют близкое соответствие шкале RAL.

ОБРАМЛЕНИЕ ПРОЕМА

Заглушка калиточная

Устанавливается совместно с нижним профилем (PRD71).
Используется в калитке с плоским порогом.

| | |
|--------------------------|-------|
| Материал | ABS |
| Вес, кг/шт. | 0,009 |
| Единица измерения | шт. |
| Норма поставки, шт. | 500 |

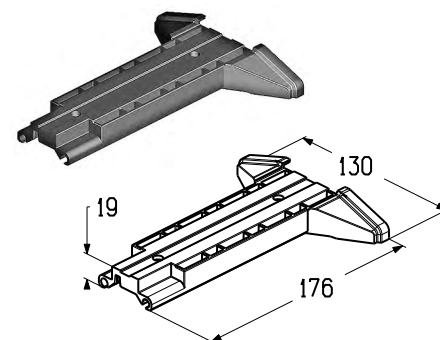


| Артикул | Код | Цвет | Применение |
|------------|-----------|------------|------------|
| WD2034R-GR | 401713300 | Серый | Правая |
| WD2034R-BR | 401713500 | Коричневый | |
| WD2034R-BK | 401713700 | Черный | |
| WD2034L-GR | 401713200 | Серый | Левая |
| WD2034L-BR | 401713400 | Коричневый | |
| WD2034L-BK | 401713600 | Черный | |

Вставка концевая

Устанавливается совместно с нижним профилем (PRD70).
Используется в калитке с плоским порогом.

| | |
|--------------------------|-------|
| Материал | PA |
| Вес, кг/шт. | 0,064 |
| Единица измерения | шт. |
| Норма поставки, шт. | 60 |

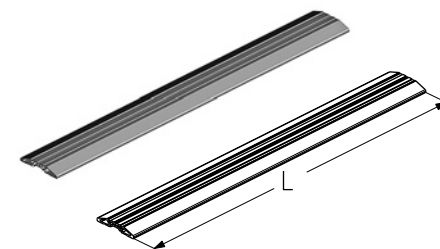


| Артикул | Код | Цвет |
|---------|-----------|--------|
| WD2033 | 401713800 | Черный |

Профиль воротный

Предназначен для установки в нижнюю панель. Выполняет функцию порога калитки.
Используется в калитке с плоским порогом.

| | |
|-------------------------|----------|
| Материал | алюминий |
| Длина (L), мм | 6000 |
| Вес, кг/м | 2,71 |
| Единица измерения | м |
| Норма поставки, м | 12 |

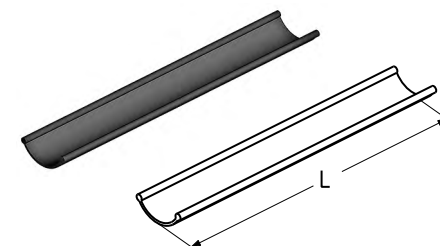


| Артикул | Код | Покрытие | Цвет |
|---------|-----------|------------|------------------|
| PRD70 | 401490130 | Порошковое | близкий RAL 9005 |

Вставка уплотнительная

Предназначена для герметизации нижней части проема. Устанавливается в профиль воротный (PRD70).
Используется в калитке с плоским порогом.

| | |
|-------------------------|------|
| Материал | EPDM |
| Вес, кг/м | 0,11 |
| Единица измерения | м |
| Норма поставки, м | 125 |

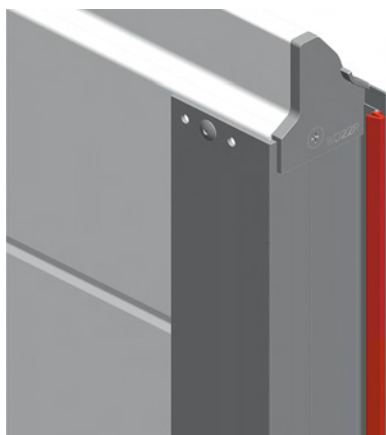


| Артикул | Код |
|---------|-----------|
| RSB09 | 401510700 |

* Указанные цвета имеют близкое соответствие шкале RAL.

ОБРАМЛЕНИЕ ПРОЕМА

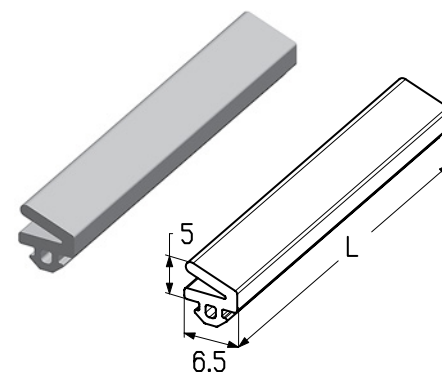
УСТАНОВКА ВСТАВКИ УПЛОТНИТЕЛЬНОЙ



Вставка уплотнительная калиточная

Предназначена для герметизации проема калитки. Устанавливается в обрамление проема и обрамление калитки. Используется в калитке с плоским, стандартным и низким порогом.

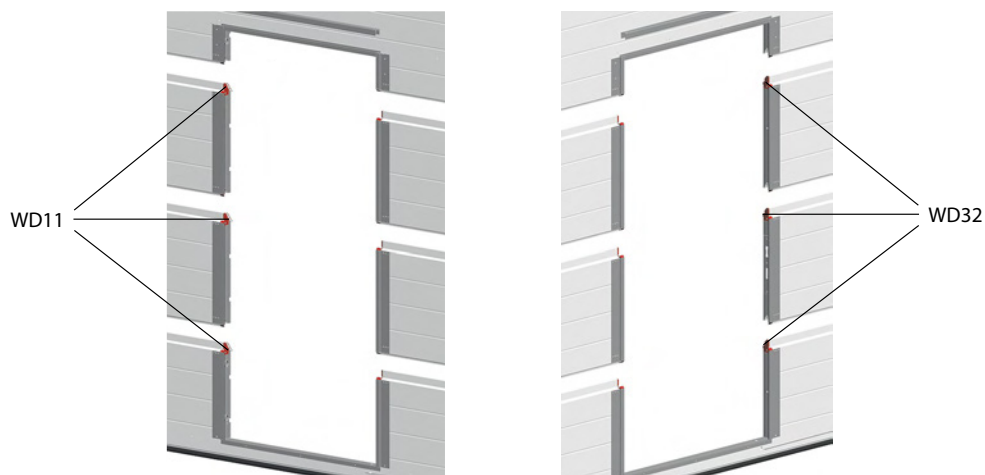
Материал EPDM
 Вес, кг/м 0,04
 Единица измерения м
 Норма поставки, м 475



| Артикул | Код |
|---------|-----------|
| RSW06 | 401560100 |

ОБРАМЛЕНИЕ ПРОЕМА

УСТАНОВКА ЗАГЛУШКИ

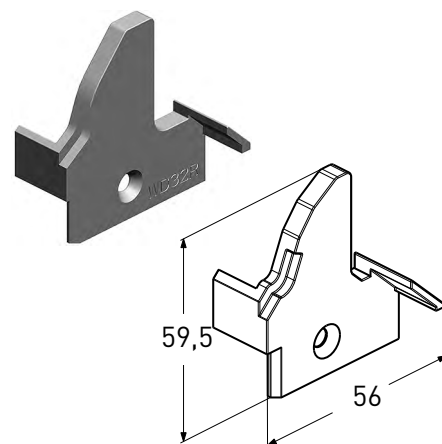


Заглушка

Устанавливается совместно с обрамлением проема в нижней и промежуточных панелях. Используется в калитке с плоским, стандартным и низким порогом.

| | |
|--------------------------|-------|
| Материал | PA |
| Вес, кг/шт. | 0,009 |
| Единица измерения | шт. |
| Норма поставки, шт. | 90 |

| Артикул | Код | Цвет | Применение |
|----------|-----------|------------|-----------------------------|
| WD32R-GR | 401711700 | Серый | Для ворот с правой калиткой |
| WD32R-BR | 401711800 | Коричневый | |
| WD32L-GR | 401711900 | Серый | Для ворот с левой калиткой |
| WD32L-BR | 401712000 | Коричневый | |

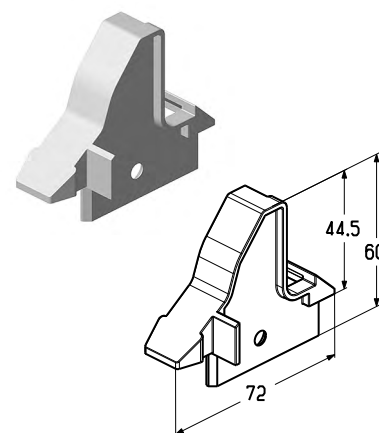


Заглушка

Устанавливается совместно с петлей проема в нижней и промежуточных панелях. Используется в калитке с плоским, стандартным и низким порогом.

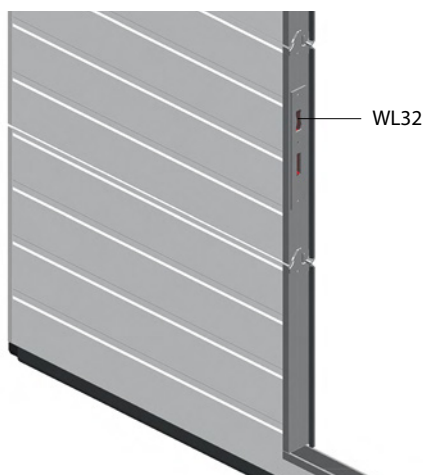
| | |
|--------------------------|-------|
| Материал | PA |
| Вес, кг/шт. | 0,011 |
| Единица измерения | шт. |
| Норма поставки, шт. | 90 |

| Артикул | Код | Цвет | Применение |
|----------|-----------|------------|-----------------------------|
| WD11R-GR | 401710500 | Серый | Для ворот с правой калиткой |
| WD11R-BR | 401710600 | Коричневый | |
| WD11L-GR | 401710700 | Серый | Для ворот с левой калиткой |
| WD11L-BR | 401710800 | Коричневый | |



ОБРАМЛЕНИЕ ПРОЕМА

УСТАНОВКА ЗАГЛУШКИ

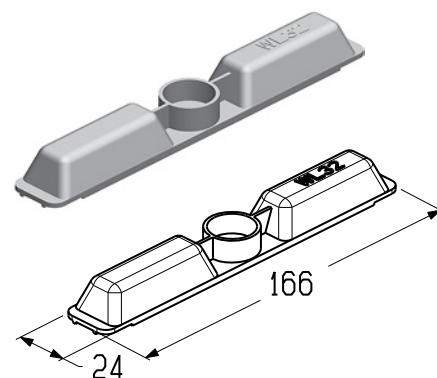


Заглушка

Предназначена для установки совместно с обрамлением проема третьей или второй панелей. Используется в калитке с плоским, стандартным и низким порогом.

| | |
|--------------------------|--------|
| Материал | РА |
| Цвет | черный |
| Вес, кг/шт. | 0,017 |
| Единица измерения | шт. |
| Норма поставки, шт. | 300 |

| Артикул | Код |
|---------|-----------|
| WL32 | 404410800 |

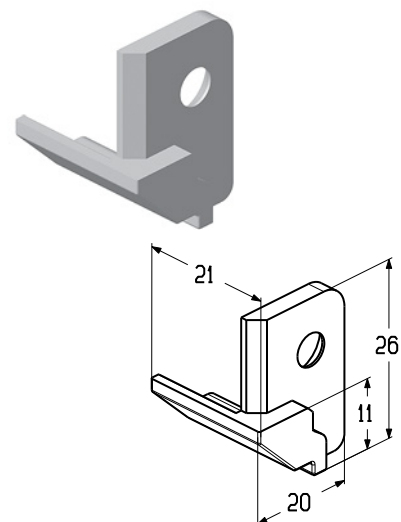


Заглушка нижняя

Устанавливается совместно с обрамлением и петлей проема в верхней и промежуточных панелях. Используется в калитке с плоским, стандартным и низким порогом.

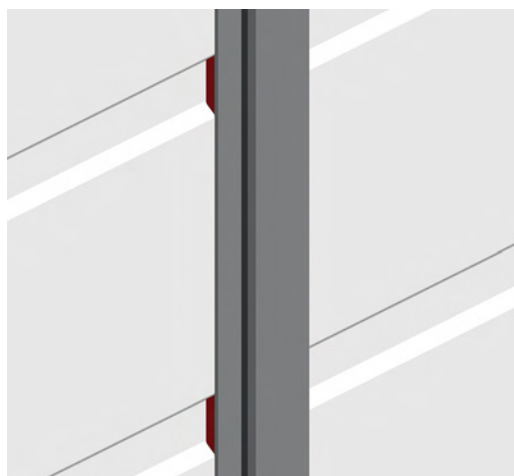
| | |
|--------------------------|-------|
| Материал | РА |
| Вес, кг/шт. | 0,002 |
| Единица измерения | шт. |
| Норма поставки, шт. | 90 |

| Артикул | Код | Цвет |
|----------|-----------|------------|
| WD01R-GR | 401710100 | Серый |
| WD01R-BR | 401710200 | Коричневый |
| WD01L-GR | 401710300 | Серый |
| WD01L-BR | 401710400 | Коричневый |



ОБРАМЛЕНИЕ ПРОЕМА

УСТАНОВКА ЗАГЛУШКИ КАЛИТОЧНОЙ



Заглушка калиточная

Предназначена для установки совместно с обрамлением проема и обрамлением калитки. Устанавливается под обрамление в каждый зиг панелей с рисунком S-гофр, М-гофр, L-гофр. Используется в калитке с плоским, стандартным и низким порогом.

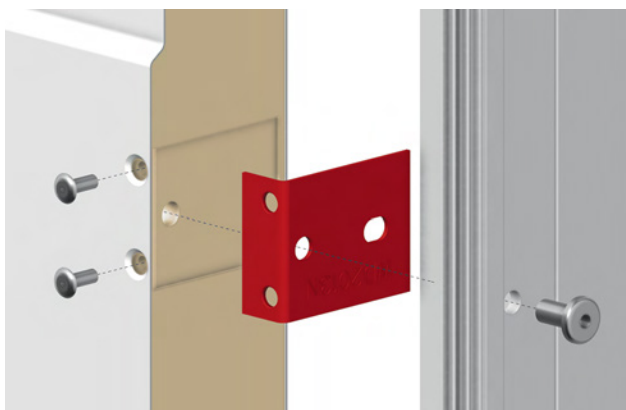
Материал полиуретан
 Вес, кг/шт. 0,001
 Единица измерения шт.
 Норма поставки, шт. 18000

| Артикул | Код |
|---------|-----------|
| WD2028 | 401713100 |



ОБРАМЛЕНИЕ ПРОЕМА

УСТАНОВКА СКОБЫ И КРОНШТЕЙНА



Скоба WD2013N

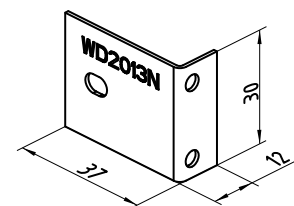


Кронштейн WD2014

Скоба

Предназначена для усиления петли проема и петли калитки по всей высоте встроенной калитки. Используется в калитке с плоским, стандартным и низким порогом.

Материал оцинкованная сталь
 Вес, кг/шт. 0,019
 Единица измерения шт.
 Норма поставки, шт. 1

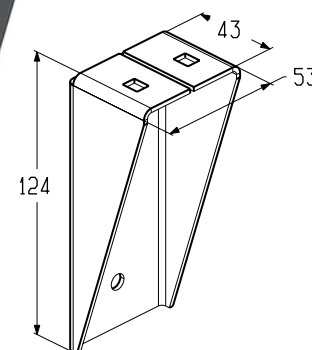


| Артикул | Код |
|---------|-----------|
| WD2013N | 418700046 |

Кронштейн

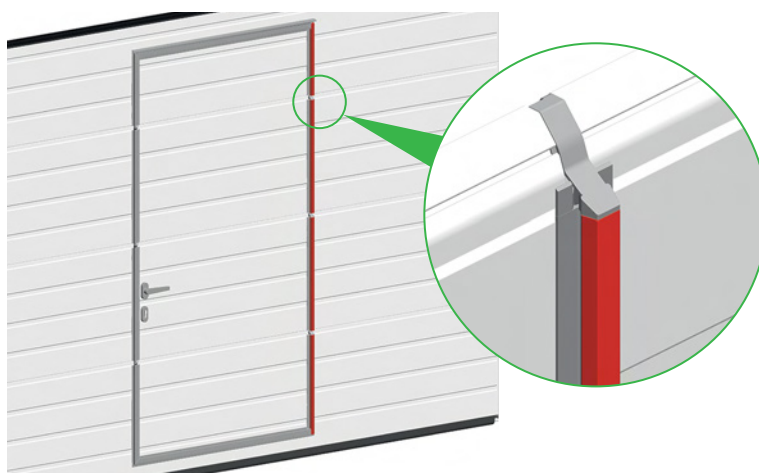
Предназначен для усиления верхней калиточной панели. Устанавливается совместно с профилем усиливающим (PRG-16, PRG-17). Используется в калитке с плоским, стандартным и низким порогом.

Материал оцинкованная сталь
 Покрытие полимерное
 Цвет бело-серый (близкий RAL 9002)
 Вес, кг/шт. 0,21
 Единица измерения шт.
 Норма поставки, шт. 40



| Артикул | Код |
|---------|-----------|
| WD2014 | 401750200 |

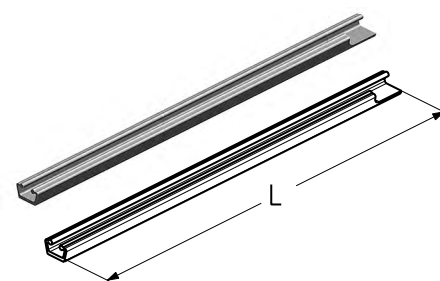
ПЕТЛЯ КАЛИТКИ



Элемент верхней петли

Предназначен для соединения петли калитки и петли проема в верхней панели.
Используется в калитке с плоским, стандартным и низким порогом.

Материал алюминий
Единица измерения шт.
Норма поставки, шт. 10

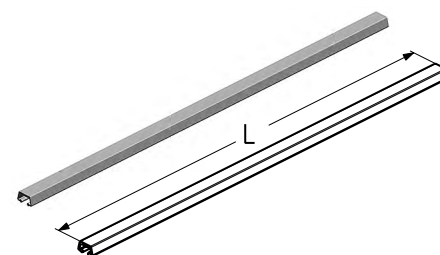


| Артикул | Код | Покрытие | Цвет* | Длина, мм | Вес, кг/шт. | Применение |
|------------|-----------|---------------|------------------|-----------|-------------|-----------------------------|
| WD403R.001 | 404210091 | Анодированное | A00-D6 (серебро) | 183 | 0,041 | Для ворот с правой калиткой |
| WD403R.001 | 404211233 | Порошковое | близкий RAL 8019 | 183 | 0,041 | |
| WD404R.001 | 404210291 | Анодированное | A00-D6 (серебро) | 308 | 0,069 | |
| WD404R.001 | 404211433 | Порошковое | близкий RAL 8019 | 308 | 0,069 | |
| WD403L.001 | 404210191 | Анодированное | A00-D6 (серебро) | 183 | 0,041 | Для ворот с левой калиткой |
| WD403L.001 | 404211333 | Порошковое | близкий RAL 8019 | 183 | 0,041 | |
| WD404L.001 | 404210391 | Анодированное | A00-D6 (серебро) | 308 | 0,069 | |
| WD404L.001 | 404211533 | Порошковое | близкий RAL 8019 | 308 | 0,069 | |

Элемент средней петли

Предназначен для соединения петли калитки и петли проема в промежуточных панелях.
Используется в калитке с плоским, стандартным и низким порогом.

Материал алюминий
Единица измерения шт.
Норма поставки, шт. 10



| Артикул | Код | Покрытие | Цвет* | Длина, мм | Вес, кг/шт. | Применение |
|------------|-----------|---------------|------------------|-----------|-------------|-----------------------------|
| WD250R.001 | 404220091 | Анодированное | A00-D6 (серебро) | 481 | 0,116 | Для ворот с правой калиткой |
| WD250R.001 | 404221033 | Порошковое | близкий RAL 8019 | 481 | 0,116 | |
| WD260R.001 | 404220191 | Анодированное | A00-D6 (серебро) | 606 | 0,146 | Для ворот с левой калиткой |
| WD260R.001 | 404221133 | Порошковое | близкий RAL 8019 | 606 | 0,146 | |

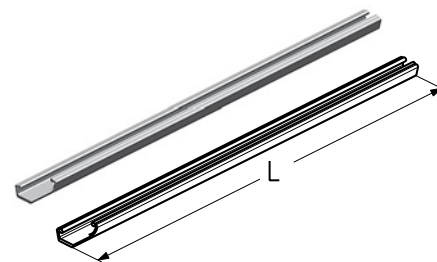
* Указанные цвета имеют близкое соответствие шкале RAL.

ПЕТЛЯ КАЛИТКИ

Элемент нижней петли

Предназначен для соединения петли калитки и петли проема в нижней панели.
Используется в калитке со стандартным порогом.

Материал алюминий
Единица измерения шт.
Норма поставки, шт. 10

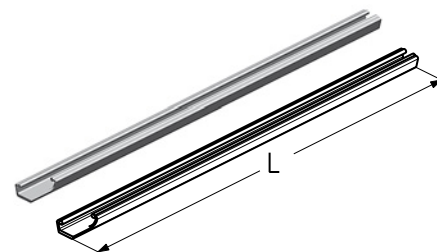


| Артикул | Код | Покрытие | Цвет* | Длина, мм | Вес, кг/шт. | Применение |
|------------|-----------|---------------|------------------|-----------|-------------|-----------------------------|
| WD152R.001 | 404230291 | Анодированное | A00-D6 (серебро) | 377 | 0,165 | Для ворот с правой калиткой |
| WD152R.001 | 404231433 | Порошковое | близкий RAL 8019 | 377 | 0,165 | |
| WD162R.001 | 404230691 | Анодированное | A00-D6 (серебро) | 502 | 0,220 | |
| WD162R.001 | 404231833 | Порошковое | близкий RAL 8019 | 502 | 0,220 | |
| WD152L.001 | 404230391 | Анодированное | A00-D6 (серебро) | 377 | 0,165 | Для ворот с левой калиткой |
| WD152L.001 | 404231533 | Порошковое | близкий RAL 8019 | 377 | 0,165 | |
| WD162L.001 | 404230791 | Анодированное | A00-D6 (серебро) | 502 | 0,220 | |
| WD162L.001 | 404231933 | Порошковое | близкий RAL 8019 | 502 | 0,220 | |

Элемент нижней петли

Предназначен для соединения петли калитки и петли проема в нижней панели.
Используется в калитке с низким порогом.

Материал алюминий
Единица измерения шт.
Норма поставки, шт. 10

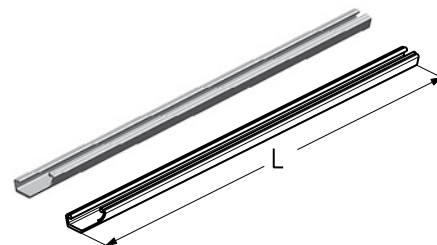


| Артикул | Код | Покрытие | Цвет* | Длина, мм | Вес, кг/шт. | Применение |
|------------|-----------|---------------|------------------|-----------|-------------|-----------------------------|
| WD151R.001 | 404230091 | Анодированное | A00-D6 (серебро) | 422 | 0,185 | Для ворот с правой калиткой |
| WD151R.001 | 404231233 | Порошковое | близкий RAL 8019 | 422 | 0,185 | |
| WD161R.001 | 404230491 | Анодированное | A00-D6 (серебро) | 547 | 0,240 | |
| WD161R.001 | 404231633 | Порошковое | близкий RAL 8019 | 547 | 0,240 | |
| WD151L.001 | 404230191 | Анодированное | A00-D6 (серебро) | 422 | 0,185 | Для ворот с левой калиткой |
| WD151L.001 | 404231333 | Порошковое | близкий RAL 8019 | 422 | 0,185 | |
| WD161L.001 | 404230591 | Анодированное | A00-D6 (серебро) | 547 | 0,240 | |
| WD161L.001 | 404231733 | Порошковое | близкий RAL 8019 | 547 | 0,240 | |

Элемент нижней петли

Предназначен для соединения петли калитки и петли проема в нижней панели.
Используется в калитке с плоским порогом.

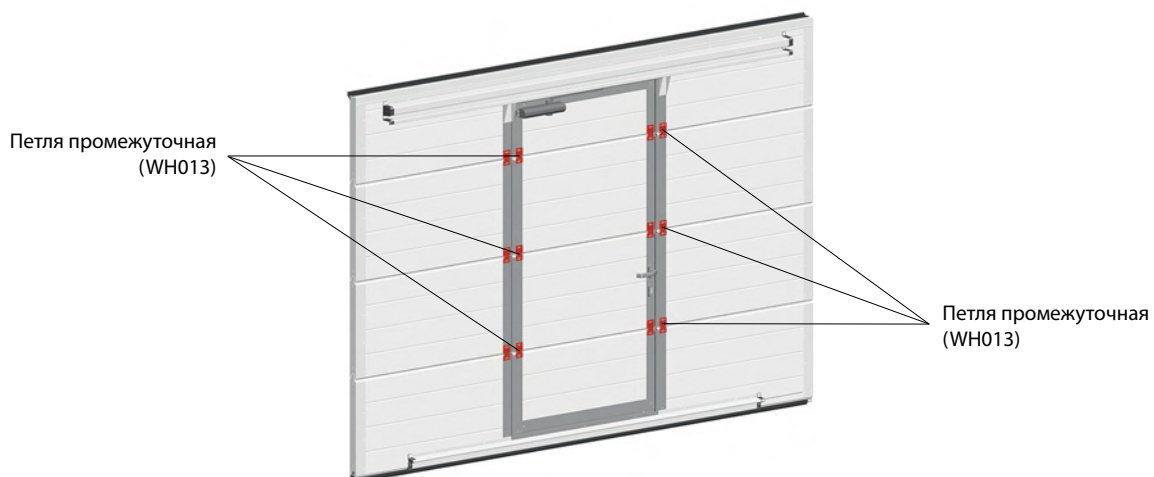
Материал алюминий
Единица измерения шт.
Норма поставки, шт. 10



| Артикул | Код | Покрытие | Цвет* | Длина, мм | Вес, кг/шт. | Применение |
|-------------|-----------|---------------|------------------|-----------|-------------|-----------------------------|
| WD-153R.001 | 404232091 | Анодированное | A00-D6 (серебро) | 493 | 0,113 | Для ворот с правой калиткой |
| WD-153R.001 | 404232033 | Порошковое | близкий RAL 8019 | 493 | 0,113 | |
| WD-153L.001 | 404233591 | Анодированное | A00-D6 (серебро) | 618 | 0,142 | |
| WD-153L.001 | 404233533 | Порошковое | близкий RAL 8019 | 618 | 0,142 | |
| WD-163R.001 | 404232191 | Анодированное | A00-D6 (серебро) | 493 | 0,113 | Для ворот с левой калиткой |
| WD-163R.001 | 404232133 | Порошковое | близкий RAL 8019 | 493 | 0,113 | |
| WD-163L.001 | 404233691 | Анодированное | A00-D6 (серебро) | 618 | 0,142 | |
| WD-163L.001 | 404233633 | Порошковое | близкий RAL 8019 | 618 | 0,142 | |

* Указанные цвета имеют близкое соответствие шкале RAL.

ПЕТЛЯ ПРОМЕЖУТОЧНАЯ

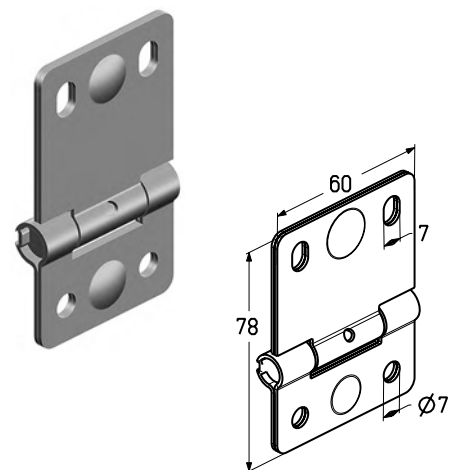


Петля промежуточная

Предназначена для соединения калиточных панелей. Устанавливается на обрамление проема. Используется в калитке с плоским, стандартным и низким порогом.

Материал нержавеющая сталь
 Вес, кг/шт. 0,08
 Единица измерения шт.
 Норма поставки, шт. 40

| Артикул | Код |
|---------|-----------|
| WH013 | 404240300 |



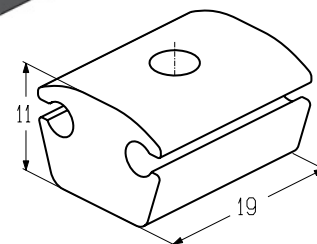
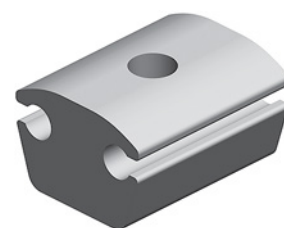
СУХАРЬ



Сухарь

Предназначен для предотвращения взаимного перемещения петли проема относительно петли калитки. Используется в калитке с плоским, стандартным и низким порогом.

Материал пластмасса
 Вес, кг/шт. 0,003
 Единица измерения шт.
 Норма поставки, шт. 100



| Артикул | Код |
|---------|-----------|
| WD100 | 401720100 |

1.1

1.2

1.3

1.4

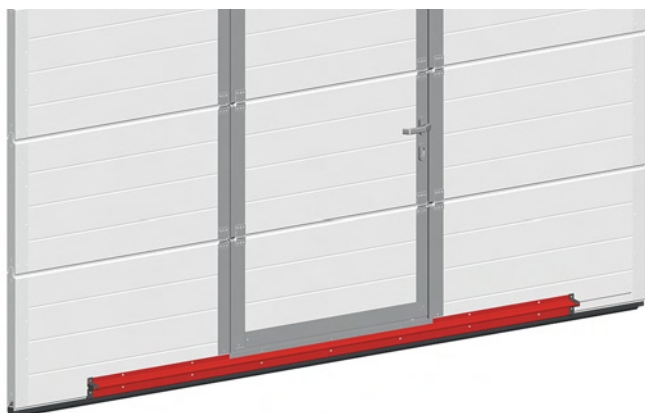
1.5

2

3

4

ПРОФИЛЬ УСИЛИВАЮЩИЙ НИЖНИЙ



Профиль усиливающий PRG-12

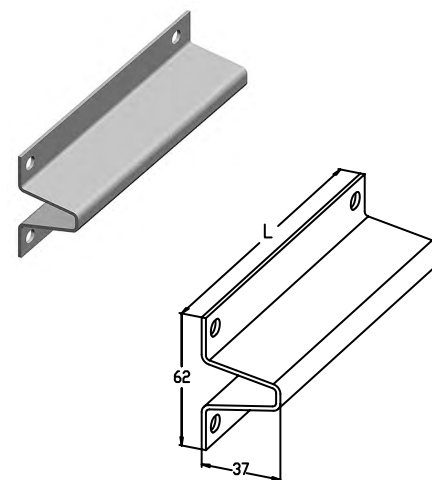


Профиль усиливающий PRG-13

Профиль усиливающий

Предназначен для усиления нижней калиточной секции.
Используется в калитке с низким порогом.

Материал оцинкованная сталь
 Покрытие полимерное
 Цвет бело-серый (близкий RAL 9002)
 Вес, кг/м 2,46
 Единица измерения м

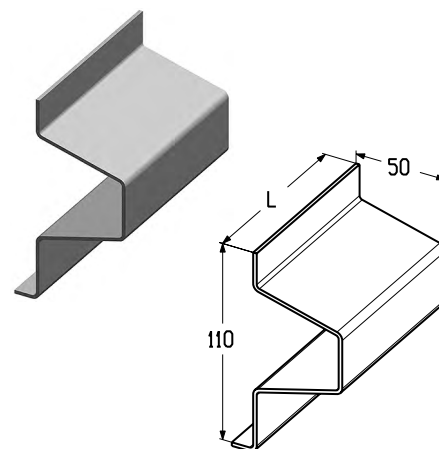


| Артикул | Код | Длина, мм | Норма поставки, м | Норма поставки, шт. |
|---------|-----------|-----------|-------------------|---------------------|
| PRG-12 | 401411110 | 5940 | 320,76 | 54 |
| | | 6270 | 338,58 | 54 |

Профиль усиливающий

Предназначен для усиления нижней калиточной секции.
Используется в калитке со стандартным порогом.

Материал оцинкованная сталь
 Покрытие полимерное
 Цвет бело-серый (близкий RAL 9002)
 Вес, кг/м 3,04
 Единица измерения м



| Артикул | Код | Длина, мм | Норма поставки, м | Норма поставки, шт. |
|---------|-----------|-----------|-------------------|---------------------|
| PRG-13 | 401411210 | 4620 | 92,40 | 20 |
| | | 4950 | 99,00 | 20 |
| | | 6600 | 132,00 | 20 |

ЗАГЛУШКА НИЖНЯЯ



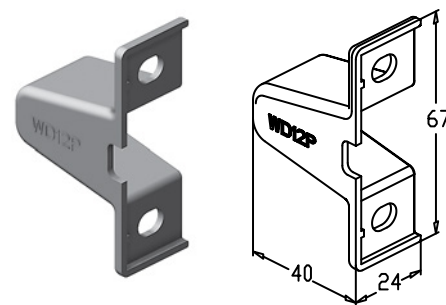
Заглушка WD12P

Заглушка WD13PR/L

Заглушка

Устанавливается совместно с профилем усиливающим (PRG-12).
Используется в калитке с низким порогом.

| | |
|--------------------------|-------|
| Материал | PA |
| Вес, кг/шт. | 0,009 |
| Единица измерения | шт. |
| Норма поставки, шт. | 1 |

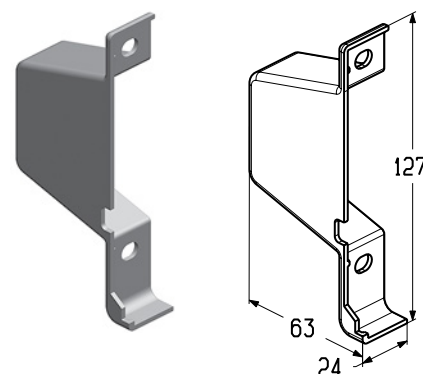


| Артикул | Код | Примечание |
|---------|-----------|---------------|
| WD12P | 401716100 | Универсальная |

Заглушка

Устанавливается совместно с профилем усиливающим (PRG-13).
Используется в калитке со стандартным порогом.

| | |
|--------------------------|-------|
| Материал | PA |
| Вес, кг/шт. | 0,016 |
| Единица измерения | шт. |
| Норма поставки, шт. | 400 |

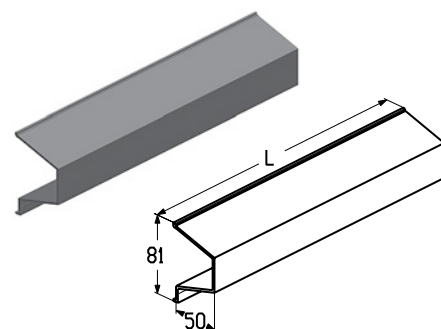


| Артикул | Код | Примечание |
|---------|-----------|------------|
| WD13PL | 401712400 | Левый |
| WD13PR | 401712300 | Правый |

Профиль воротный

Предназначен для усиления нижней панорамной калиточной секции.
Используется в калитке со стандартным порогом.

| | |
|-------------------------|-------------------------------|
| Материал | алюминий |
| Длина, мм | 6000 |
| Покрытие | анодированное |
| Цвет | A00-D6 (серебристый металлик) |
| Вес, кг/м | 1,016 |
| Единица измерения | м |
| Норма поставки, м | 24 |



| Артикул | Код |
|---------|---------|
| PRD13 | 4000557 |

ПРОФИЛЬ УСИЛИВАЮЩИЙ ВЕРХНИЙ



Профиль усиливающий PRG-16

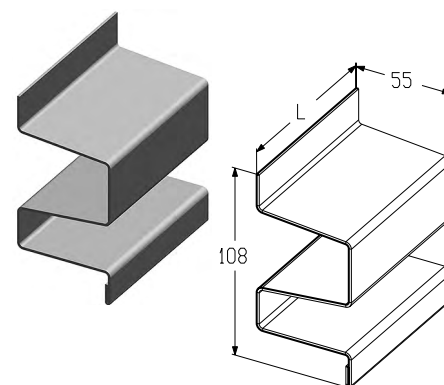


Профиль усиливающий PRG-17

Профиль усиливающий

Предназначен для усиления верхней калиточной секции. Используется при врезке калитки в последнюю воротную панель. Используется в калитке с плоским, стандартным и низким порогом.

Материал оцинкованная сталь
 Покрытие полимерное
 Цвет бело-серый (близкий RAL 9002)
 Вес, кг/м 3,20
 Единица измерения м

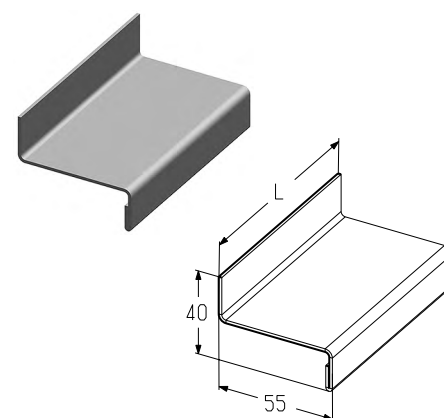


| Артикул | Код | Длина, мм | Норма поставки, м | Норма поставки, шт. |
|---------|-----------|-----------|-------------------|---------------------|
| PRG-16 | 401411510 | 5280 | 158,4 | 30 |
| | | 6600 | 198,0 | 30 |

Профиль усиливающий

Предназначен для усиления верхней калиточной секции. Используется при врезке калитки в ворота, в которых верхняя калиточная секция не является верхней секцией полотна ворот. Используется в калитке с плоским, стандартным и низким порогом.

Материал оцинкованная сталь
 Покрытие полимерное
 Цвет бело-серый (близкий RAL 9002)
 Вес, кг/м 1,20
 Единица измерения м



| Артикул | Код | Длина, мм | Норма поставки, м | Норма поставки, шт. |
|---------|-----------|-----------|-------------------|---------------------|
| PRG-17 | 401411610 | 5280 | 633,6 | 120 |
| | | 6600 | 792,0 | 120 |

ЗАГЛУШКА ВЕРХНЯЯ



Заглушка WD16PR/L

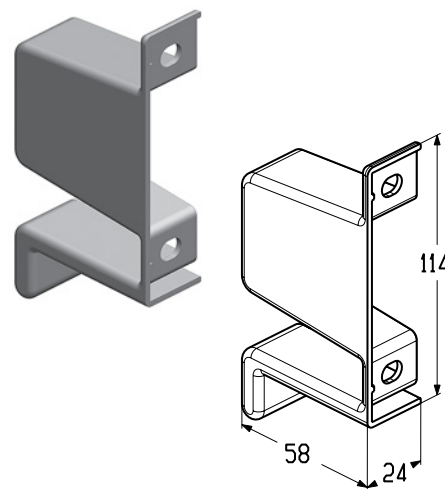
Заглушка WD17PR/L

Заглушка

Устанавливается совместно с профилем усиливающим (PRG-16).
Используется в калитке с плоским, стандартным и низким порогом.

| | |
|--------------------------|-------|
| Материал | PA |
| Вес, кг/шт. | 0,024 |
| Единица измерения | шт. |
| Норма поставки, шт. | 200 |

| Артикул | Код | Примечание |
|---------|-----------|------------|
| WD16PL | 401712600 | Левый |
| WD16PR | 401712500 | Правый |

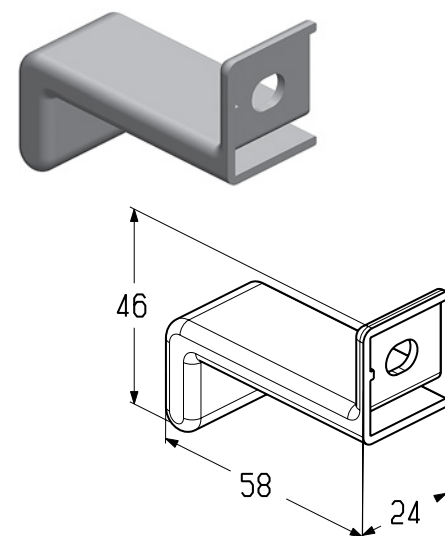


Заглушка

Устанавливается совместно с профилем усиливающим (PRG-17).
Используется в калитке с плоским, стандартным и низким порогом.

| | |
|--------------------------|------|
| Материал | PA |
| Вес, кг/шт. | 0,01 |
| Единица измерения | шт. |
| Норма поставки, шт. | 500 |

| Артикул | Код | Примечание |
|---------|-----------|------------|
| WD17PL | 401712800 | Левый |
| WD17PR | 401712700 | Правый |



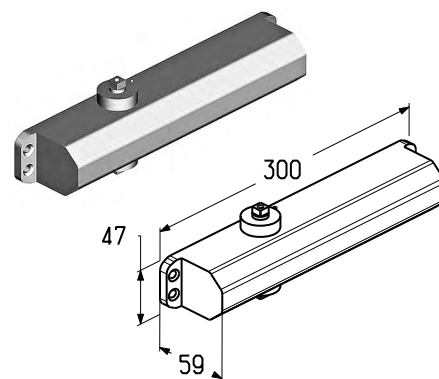
АКСЕССУАРЫ ДЛЯ ВСТРОЕННОЙ КАЛИТКИ

Доводчик дверной

Предназначен для автоматического закрывания калитки. Используется совместно с тягой для доводчика (DP2010). Используется в калитке с плоским, стандартным и низким порогом.

Вес, кг/шт. 2,71
Единица измерения шт.
Норма поставки, шт. 10

| Артикул | Код |
|---------|-----------|
| DP0207 | 404401000 |

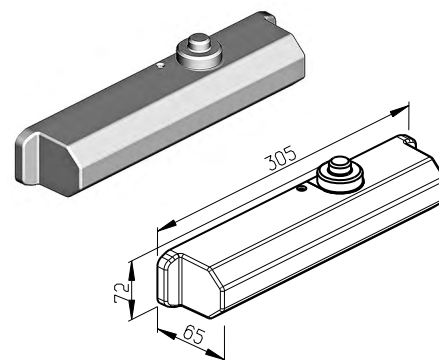


Крышка доводчика

Устанавливается совместно с доводчиком (DP0207).
Используется в калитке с плоским, низким и стандартным порогом.

Материал ABS
Вес, кг/шт. 0,10
Единица измерения шт.
Норма поставки, шт. 10

| Артикул | Код |
|---------|-----------|
| DP2027 | 404470200 |

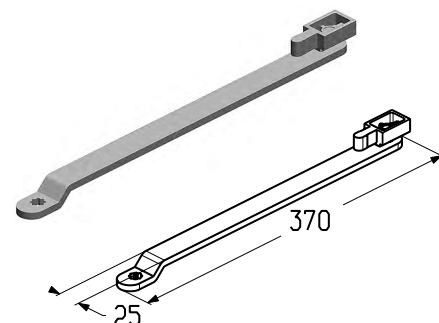


Тяга доводчика

Предназначена для установки совместно с доводчиком дверным (DP0207).
Используется в калитке с плоским, стандартным и низким порогом.

Вес, кг/шт. 0,907
Единица измерения шт.
Норма поставки, шт. 10

| Артикул | Код |
|---------|-----------|
| DP2010 | 404406000 |



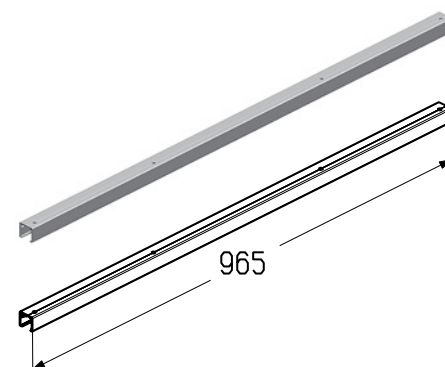
АКСЕССУАРЫ ДЛЯ ВСТРОЕННОЙ КАЛИТКИ

Шина доводчика

Предназначена для движения тяги доводчика (DP2010).
Устанавливается совместно с профилем усиливающим (PRG-16, PRG-17).
Используется в калитке с плоским, стандартным и низким порогом.

| | |
|---------------------|----------|
| Длина, мм | 965 |
| Материал | алюминий |
| Вес, кг/шт. | 0,52 |
| Единица измерения | шт. |
| Норма поставки, шт. | 10 |

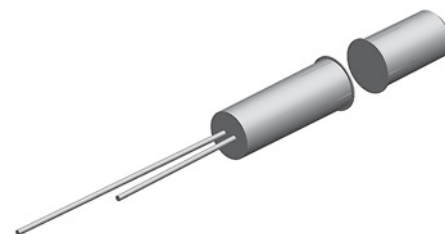
| Артикул | Код | Цвет* |
|------------|-----------|-----------------------|
| WD403R.108 | 404470191 | A00-D6 (анодирование) |
| WD403R.108 | 404470133 | близкий RAL 8019 |

**Контакт калитки**

Предназначен для отключения электропривода при открытой калитке.
Используется в калитке с плоским, стандартным и низким порогом.

| | |
|---------------------|-------|
| Вес, кг/шт. | 0,003 |
| Единица измерения | шт. |
| Норма поставки, шт. | 10 |

| Артикул | Код |
|---------|-----------|
| SS0206 | 404403000 |

**Кабель**

Предназначен для подключения контакта калитки (SS0206) к блоку управления.
Используется в калитке с плоским, стандартным и низким порогом.

| | |
|-------------------|------|
| Вес, кг/м | 0,03 |
| Единица измерения | м |
| Норма поставки, м | 250 |

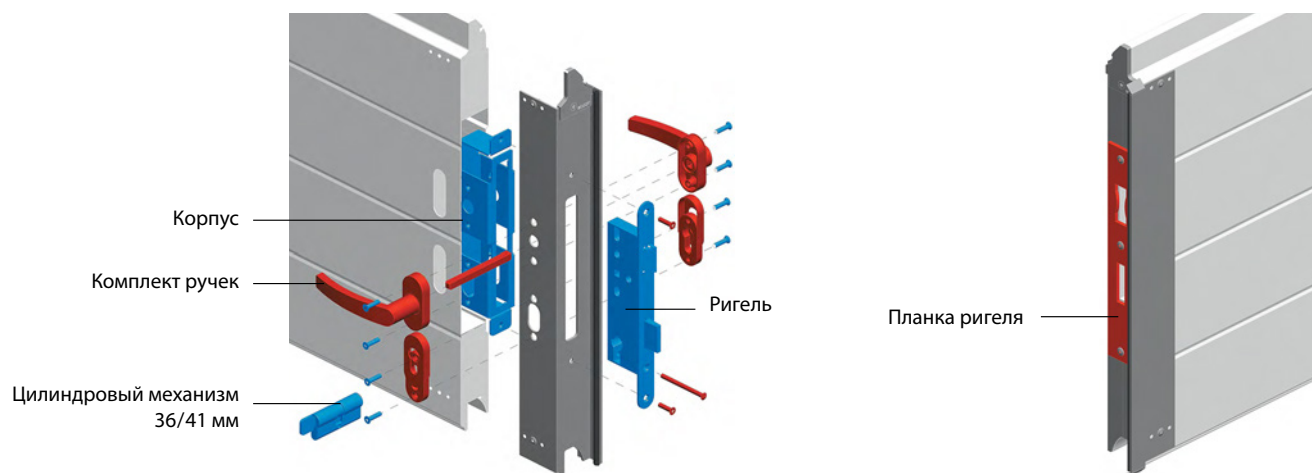
| Артикул | Код |
|---------|-----------|
| C2x0,5 | 404404000 |



* Указанные цвета имеют близкое соответствие шкале RAL.

АКСЕССУАРЫ ДЛЯ ВСТРОЕННОЙ КАЛИТКИ

УСТАНОВКА ЗАМКА КАЛИТКИ

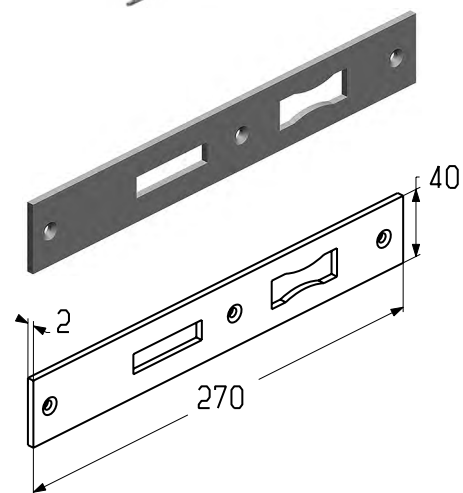


Планка ригеля

Предназначена для установки на обрамление проема среднее (WD250R/L.302, WD260R/L.302).
Используется в калитке с плоским, стандартным и низким порогом.

Материал нержавеющая сталь
Вес, кг/шт. 0,13
Единица измерения шт.
Норма поставки, шт. 10

| Артикул | Код |
|---------|-----------|
| WD0210 | 418700200 |



АКСЕССУАРЫ ДЛЯ ВСТРОЕННОЙ КАЛИТКИ

Комплект ручек

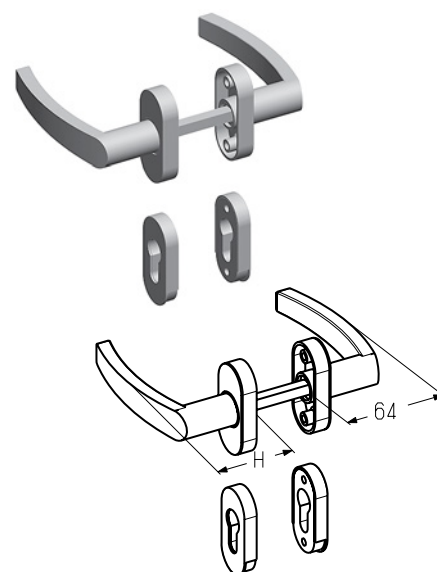
Предназначен для установки в калитке с плоским, стандартным и низким порогом.

| | |
|--------------------------|----------------|
| Материал | цинковый сплав |
| Вес, кг/шт. | 0,9 |
| Единица измерения | шт. |
| Норма поставки, шт. | 10 |

Используется:

- для гаражных ворот стандартного типа монтажа;
- для промышленных ворот всех типов монтажа, кроме высоких, вертикальных и наклонных высоких типов монтажа.

| Артикул | Код | Покрытие | Цвет | Вылет наружной ручки от полотна ворот (H), мм | Примечание |
|-----------|-----------|---------------|-----------------------|---|-------------|
| WL2021-SL | 404410191 | Анодированное | A00-D6 (анодирование) | 64 | Евроцилиндр |
| WL2021-BR | 404410133 | Порошковое | близкий RAL 8019 | 64 | |
| WL2021-BK | 404410130 | Порошковое | близкий RAL 9005 | 64 | |



Используется:

- для гаражных ворот низкого и высокого типов монтажа;
- для промышленных ворот высоких, вертикальных и высоких наклонных типов монтажа с верхним и нижним расположением вала.

| Артикул | Код | Покрытие | Цвет | Вылет наружной ручки от полотна ворот (H), мм | Примечание |
|-----------|-----------|---------------|------------------|---|-------------|
| WL2022-SL | 404410291 | Анодированное | A00-D6 (серебро) | 24 | Евроцилиндр |
| WL2022-BR | 404410233 | Порошковое | близкий RAL 8019 | 24 | |
| WL2022-BK | 404410230 | Порошковое | близкий RAL 9005 | 24 | |

Комплект ручек

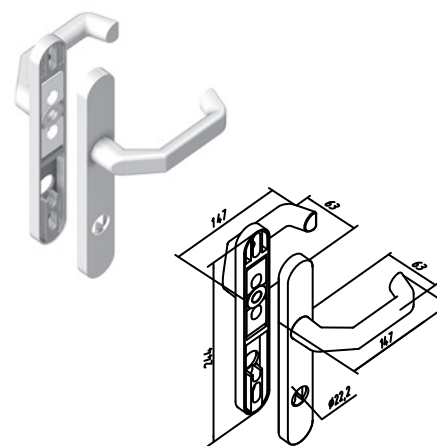
Предназначен для установки в калитке с плоским, стандартным и низким порогом.

| | |
|--------------------------|----------------|
| Материал | цинковый сплав |
| Вес, кг/шт. | 0,932 |
| Единица измерения | шт. |
| Норма поставки, шт. | 1 |

Используется:

- для гаражных ворот стандартного типа монтажа;
- для промышленных ворот всех типов монтажа, кроме высоких, вертикальных и наклонных высоких типов монтажа.

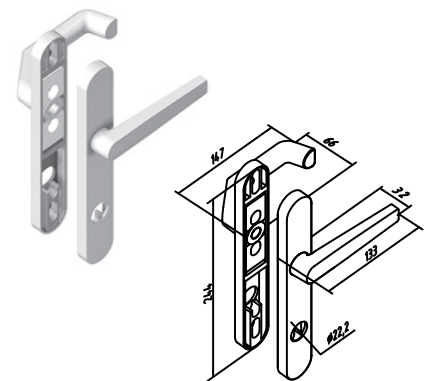
| Артикул | Код | Покрытие | Цвет | Вылет наружной ручки от полотна ворот (H), мм | Примечание |
|----------|-----------|---------------|-----------------------|---|---------------------|
| 11042512 | 415700115 | Анодированное | A00-D6 (анодирование) | 63 | Швейцарский цилиндр |



Используется:

- для гаражных ворот низкого и высокого типов монтажа;
- для промышленных ворот высоких, вертикальных и высоких наклонных типов монтажа с верхним и нижним расположением вала.

| Артикул | Код | Покрытие | Цвет | Вылет наружной ручки от полотна ворот (H), мм | Примечание |
|----------|-----------|---------------|-----------------------|---|---------------------|
| 11042511 | 415700114 | Анодированное | A00-D6 (анодирование) | 32 | Швейцарский цилиндр |



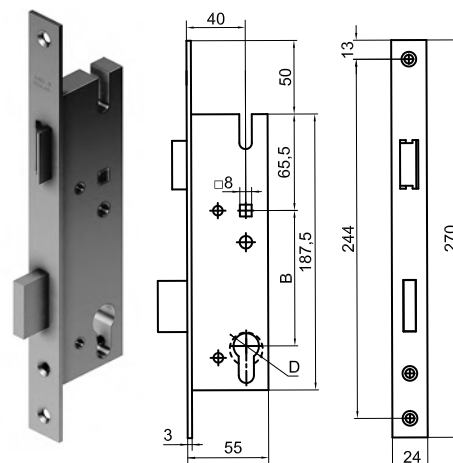
АКСЕССУАРЫ ДЛЯ ВСТРОЕННОЙ КАЛИТКИ

Ригель

Предназначен для установки совместно с корпусом вкладным (PED-2039).
Используется в калитке с плоским, стандартным и низким порогом.

Вес, кг/шт. 0,66
Единица измерения шт.
Норма поставки, шт. 10

| Артикул | Код | Диаметр D, мм | Расстояние B, мм | Примечание |
|-----------|-----------|---------------|------------------|---------------------|
| WL0202-PC | 415700110 | 17,3 | 92 | Евроцилиндр |
| WL0202-RC | 415700111 | 22,4 | 94 | Швейцарский цилиндр |

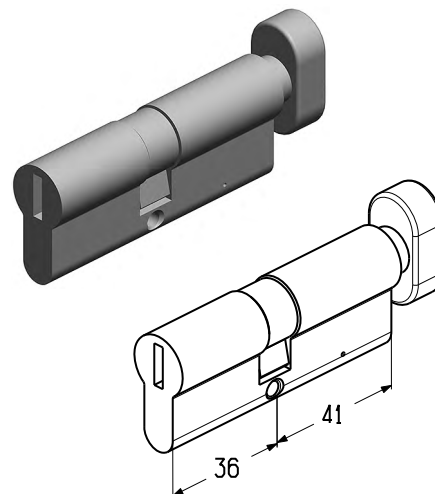


Цилиндровый механизм 36/41 мм

Предназначен для установки совместно с ригелем (WL0202-PC).
Используется в калитке с плоским, стандартным и низким порогом.

Вес, кг/шт. 0,294
Единица измерения шт.
Норма поставки, шт. 10

| Артикул | Код |
|----------|-----------|
| C-36/41M | 404410700 |

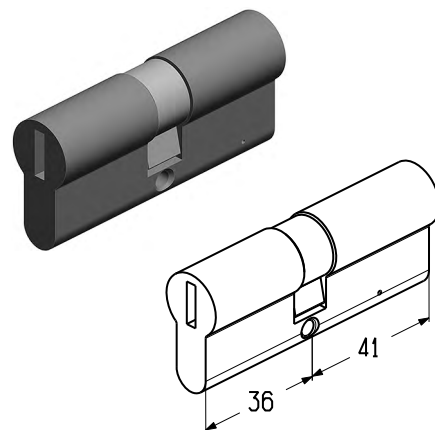


Цилиндровый механизм 36/41 мм

Предназначен для установки совместно с ригелем (WL0202-PC).
Используется в калитке с плоским, стандартным и низким порогом.

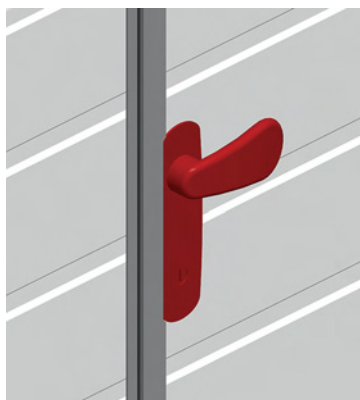
Вес, кг/шт. 0,264
Единица измерения шт.
Норма поставки, шт. 10

| Артикул | Код |
|---------|-----------|
| C-36/41 | 404410500 |



АКСЕССУАРЫ ДЛЯ ВСТРОЕННОЙ КАЛИТКИ

УСТАНОВКА УСТРОЙСТВА ЭКСТРЕННОГО ОТКРЫВАНИЯ ДВЕРЕЙ



Вид снаружи



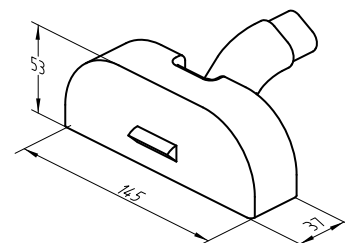
Вид изнутри

Центральный замок

Предназначен для запираения калитки.
Используется в калитке с плоским, стандартным и низким порогом.

Вес, кг/шт. 0,84
Единица измерения шт.
Норма поставки, шт. 1

| Артикул | Код |
|---------|-----------|
| PED2016 | 407480100 |

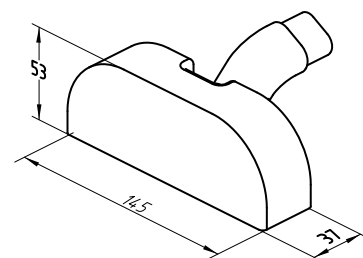
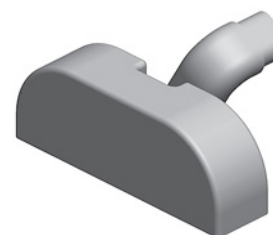


Механизм

Устанавливается совместно с центральным замком (PED2016) и нажимной штангой (PED2018).
Используется в калитке с плоским, стандартным и низким порогом.

Материал оцинкованная сталь
Вес, кг/шт. 0,82
Единица измерения шт.
Норма поставки, шт. 1

| Артикул | Код |
|---------|-----------|
| PED2017 | 407480200 |

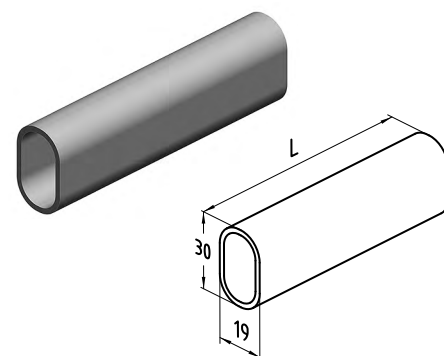


Нажимная штанга

Предназначен для открытия калитки с внутренней стороны.
Используется в калитке с плоским, стандартным и низким порогом.

| | |
|---------------------|------------|
| Длина, мм | 830 |
| Материал | сталь |
| Покрытие | порошковое |
| Цвет | красный |
| Вес, кг/шт. | 0,68 |
| Единица измерения | шт. |
| Норма поставки, шт. | 1 |

| Артикул | Код |
|---------|-----------|
| PED2018 | 407480300 |

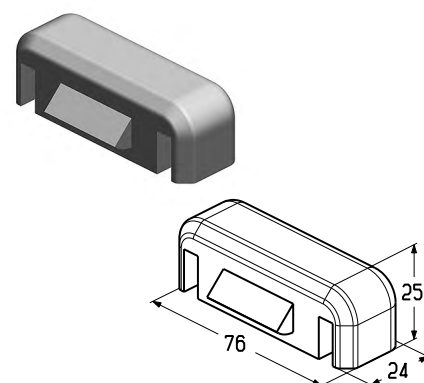


Ответная часть для центрального замка

Устанавливается совместно с механизмом (PED2017) и нажимной штангой (PED2018). Используется в калитке с плоским, стандартным и низким порогом.

| | |
|---------------------|--------------------|
| Материал | оцинкованная сталь |
| Вес, кг/шт. | 0,14 |
| Единица измерения | шт. |
| Норма поставки, шт. | 1 |

| Артикул | Код |
|---------|-----------|
| PED2019 | 407480400 |

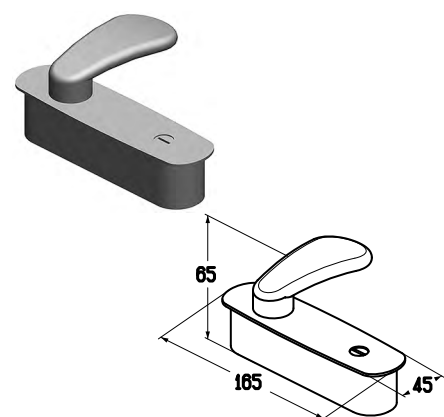


Наружная нажимная ручка

Предназначена для открытия калитки с наружной стороны.
Используется в калитке с плоским, стандартным и низким порогом.

| | |
|---------------------|-------------|
| Цвет | серебристый |
| Вес, кг/шт. | 1,05 |
| Единица измерения | шт. |
| Норма поставки, шт. | 1 |

| Артикул | Код |
|---------|-----------|
| PED2020 | 407480500 |

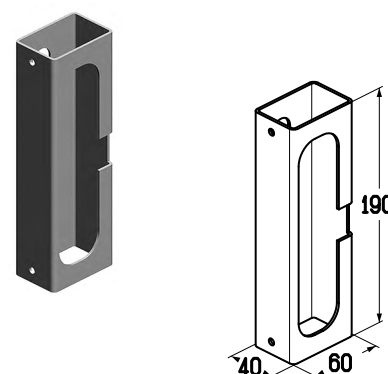


Корпус

Предназначен для установки совместно с наружной нажимной ручкой (PED2020).
Используется в калитке с плоским, стандартным и низким порогом.

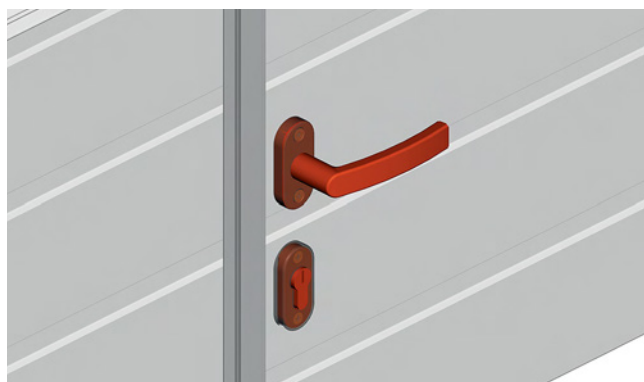
| | |
|---------------------|-------------------------------|
| Материал | сталь |
| Покрытие | порошковое |
| Цвет | бело-серый (близкий RAL 9002) |
| Вес, кг/шт. | 0,50 |
| Единица измерения | шт. |
| Норма поставки, шт. | 1 |

| Артикул | Код | Примечание |
|----------|-----------|------------|
| PED2025L | 407480700 | Левый |
| PED2025R | 407480600 | Правый |

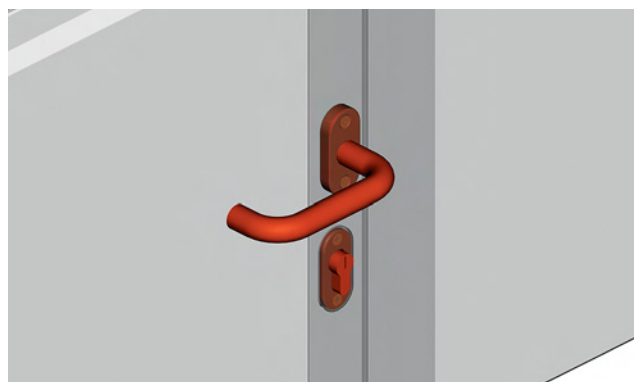


АКСЕССУАРЫ ДЛЯ ВСТРОЕННОЙ КАЛИТКИ

УСТАНОВКА УСТРОЙСТВА ЭКСТРЕННОГО ОТКРЫВАНИЯ ДВЕРЕЙ С ФУНКЦИЕЙ В



Вид снаружи



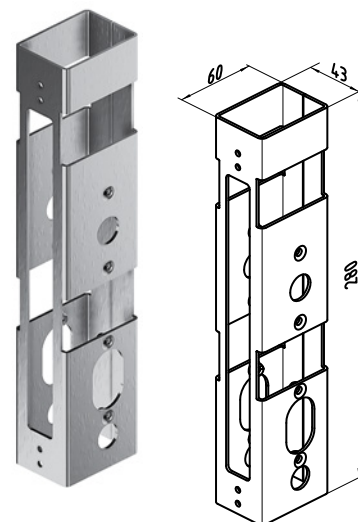
Вид изнутри

Корпус замка анти-паник В

Предназначен для установки ригеля (WL0202-PC, WL0202-RC).
Используется в калитке с плоским, стандартным и низким порогом.
Входит в состав устройства экстренного открывания дверей функция В (PED21-45).

Материал оцинкованная сталь
Вес, кг/шт. 0,573
Единица измерения шт.
Норма поставки, шт. 10

| Артикул | Код |
|----------|-----------|
| PED-2039 | 401700200 |

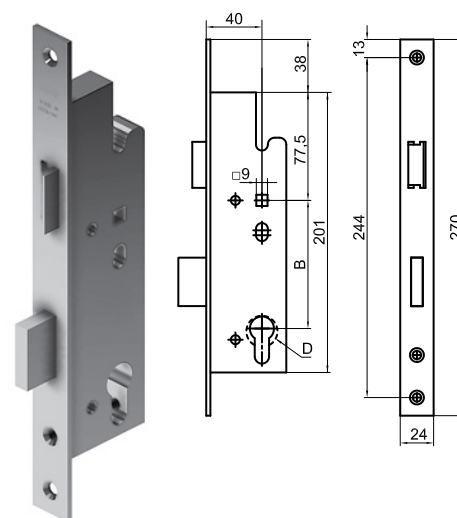


Ригель замка анти-паник В

Используется в калитке с плоским, стандартным и низким порогом.
Входит в состав устройства экстренного открывания дверей функция В (PED21-45).

Вес, кг/шт. 0,601
Единица измерения шт.
Норма поставки, шт. 1

| Артикул | Код | Диаметр D, мм | Расстояние В, мм | Примечание |
|-------------|-----------|---------------|------------------|---------------------|
| PED-2041-PC | 418700138 | 17,3 | 92 | Евроцилиндр |
| PED-2041-RC | 418700139 | 22,4 | 94 | Швейцарский цилиндр |

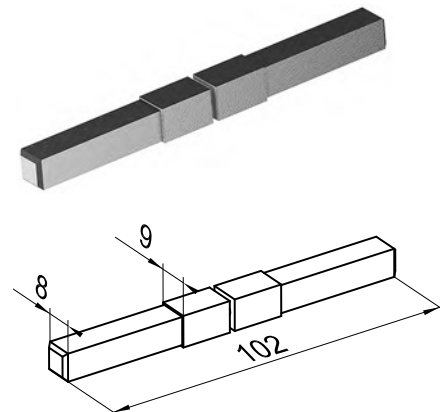


Квадрат раздельный анти-паник В

Используется в калитке с плоским, стандартным и низким порогом.
Входит в состав устройства экстренного открывания дверей функция В (PED21-45).

Материал оцинкованная сталь
Вес, кг/шт. 0,06
Единица измерения шт.
Норма поставки, шт. 10

| Артикул | Код |
|----------|-----------|
| PED-2042 | 401700500 |

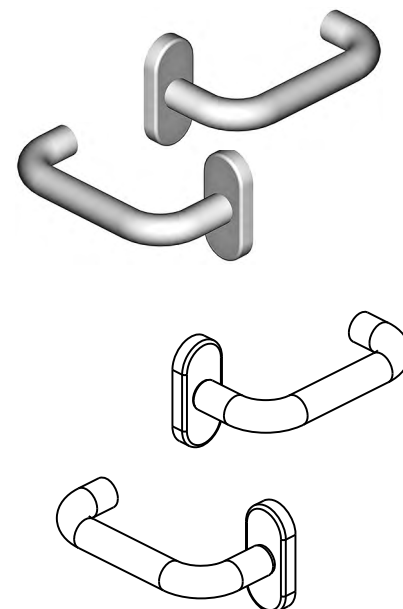


Комплект ручек анти-паник В

Используется в калитке с плоским, стандартным и низким порогом.
Входит в состав устройства экстренного открывания дверей функция В (PED21-45).

Материал нержавеющая сталь
Вес, кг/шт. 0,275
Единица измерения шт.
Норма поставки, шт. 10

| Артикул | Код | Применение | Примечание |
|-----------|-----------|------------|-------------|
| PED-2040R | 401700700 | Правый | Евроцилиндр |
| PED-2040L | 401700800 | Левый | |



АКСЕССУАРЫ ДЛЯ ВСТРОЕННОЙ КАЛИТКИ

УСТАНОВКА УСТРОЙСТВА ЭКСТРЕННОГО ОТКРЫВАНИЯ ДВЕРЕЙ С ФУНКЦИЕЙ E



Вид снаружи



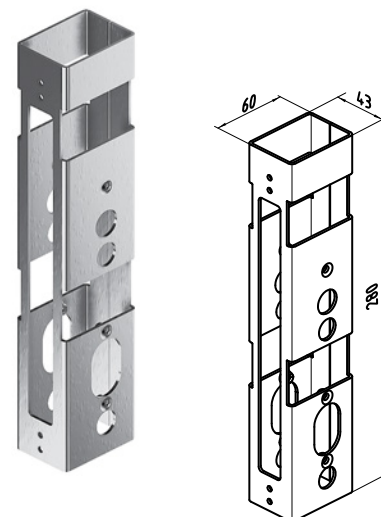
Вид изнутри

Корпус замка анти-паник E

Используется в калитке с плоским, стандартным и низким порогом.
Входит в состав устройства экстренного открывания дверей функция E (PED22-45).

Материал оцинкованная сталь
Вес, кг/шт. 0,573
Единица измерения шт.
Норма поставки, шт. 10

| Артикул | Код |
|----------|-----------|
| PED-2043 | 401700900 |

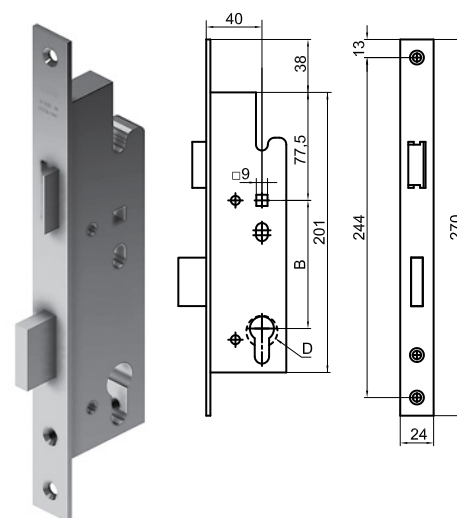


Ригель замка анти-паник E

Используется в калитке с плоским, стандартным и низким порогом.
Входит в состав устройства экстренного открывания дверей функция E (PED22-45).

Вес, кг/шт. 0,765
Единица измерения шт.
Норма поставки, шт. 10

| Артикул | Код | Диаметр D, мм | Расстояние E, мм | Примечание |
|-------------|-----------|---------------|------------------|---------------------|
| PED-2044-PC | 418700136 | 17,3 | 92 | Евроцилиндр |
| PED-2044-RC | 418700137 | 22,4 | 94 | Швейцарский цилиндр |

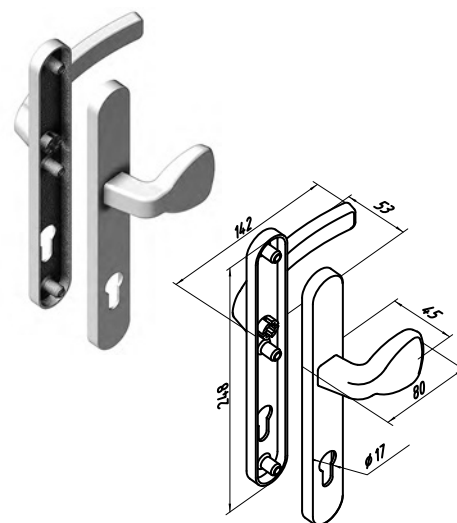


Комплект ручек анти-паник Е

Используется в калитке с плоским, стандартным и низким порогом.
Входит в состав устройства экстренного открывания дверей функция Е (PED22-45).

Материал цинковый сплав
Вес, кг/шт. 1,04
Единица измерения шт.
Норма поставки, шт. 10

| Артикул | Код | Применение | Примечание |
|---------------|-----------|------------|-------------|
| FLGU.400.1008 | 417200095 | Правый | Евроцилиндр |
| FLGU.400.1009 | 417200195 | Левый | |

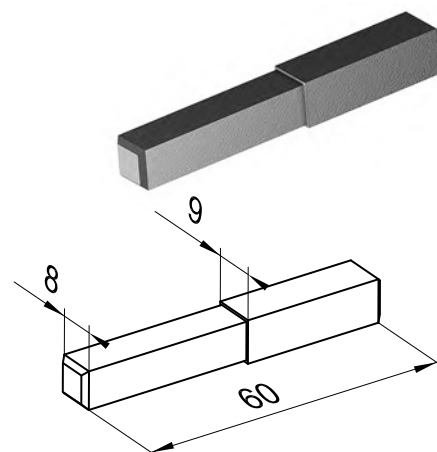


Квадрат отдельный анти-паник Е

Используется в калитке с плоским, стандартным и низким порогом.
Входит в состав устройства экстренного открывания дверей функция Е (PED22-45).

Материал оцинкованная сталь
Вес, кг/шт. 0,04
Единица измерения шт.
Норма поставки, шт. 1

| Артикул | Код |
|----------|-----------|
| PED-2045 | 401701200 |

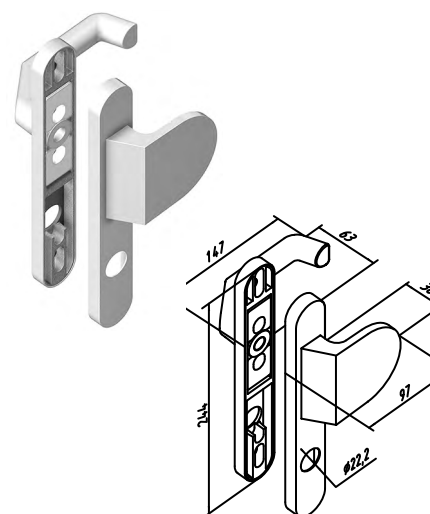


Комплект ручек

Используется в калитке с плоским, стандартным и низким порогом.
Входит в состав устройства экстренного открывания дверей функция Е (PED22-45).

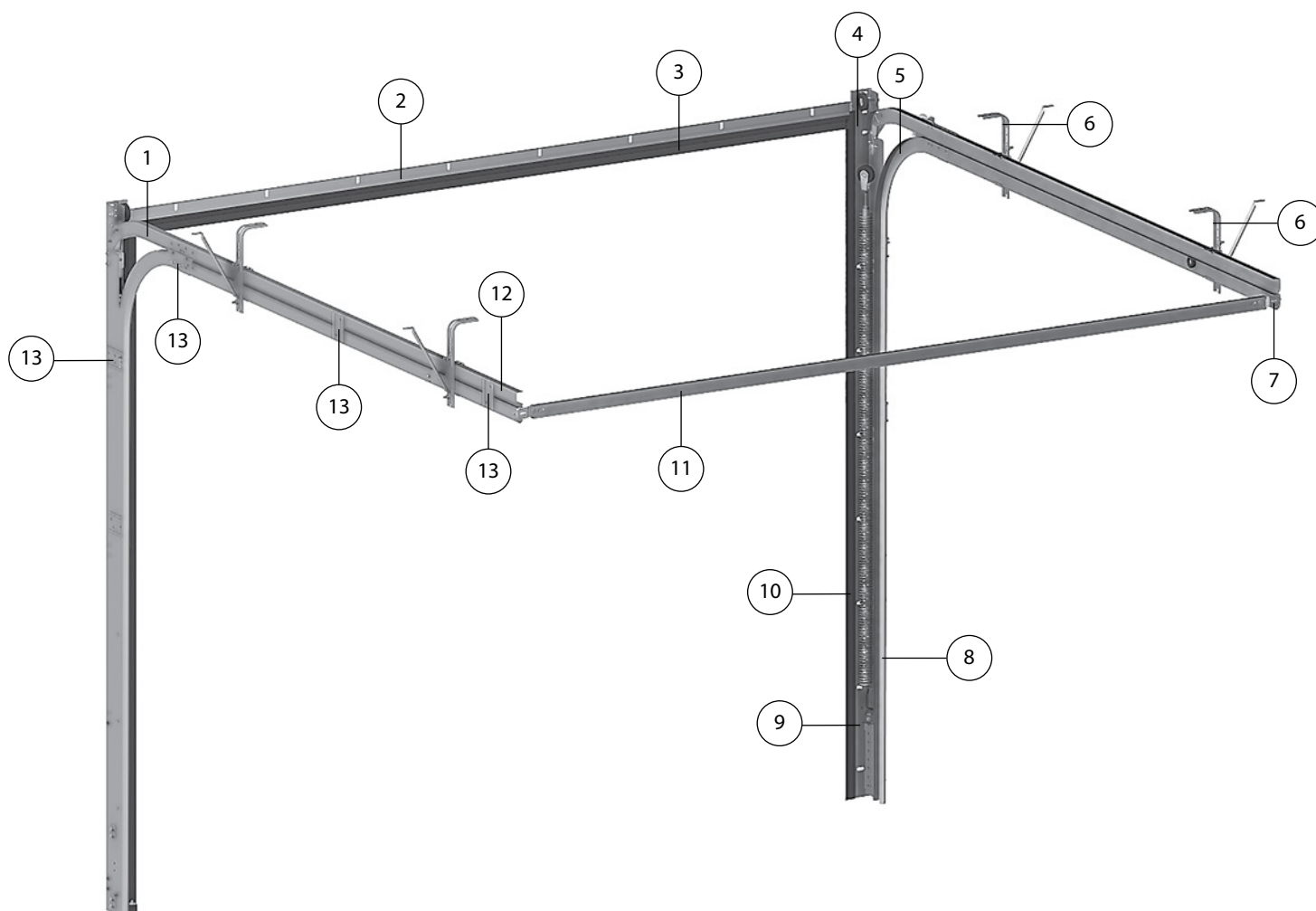
Материал цинковый сплав
Вес, кг/шт. 1,0006
Единица измерения шт.
Норма поставки, шт. 1

| Артикул | Код | Покрытие | Цвет | Вылет наружной ручки от полотна ворот (Н), мм | Примечание |
|----------|-----------|---------------|--------------------------|---|---------------------|
| 11042513 | 415700116 | Анодированное | A00-D6 (анодирование) | 38 | Швейцарский цилиндр |



1.4

Системы направляющих
и подвеса

ГАРАЖНЫЕ ВОРОТА СЕРИИ PRESTIGE
С ПРУЖИНАМИ РАСТЯЖЕНИЯ

| № | Наименование |
|---|--------------------------------|
| 1 | Узел направляющий передний |
| 2 | Профиль передний (нащельник) |
| 3 | Вставка уплотнительная (IS85) |
| 4 | Кронштейн |
| 5 | Элемент радиусный |
| 6 | Телескопический подвес |
| 7 | Кронштейн мерной планки В-3501 |

| № | Наименование |
|----|---------------------------------------|
| 8 | Профиль направляющий (вертикальный) |
| 9 | Профиль угловой |
| 10 | Вставка уплотнительная (IS85) |
| 11 | С-профиль (мерная планка) |
| 12 | Профиль направляющий (горизонтальный) |
| 13 | Пластины соединительные |

1.1

1.2

1.3

1.4

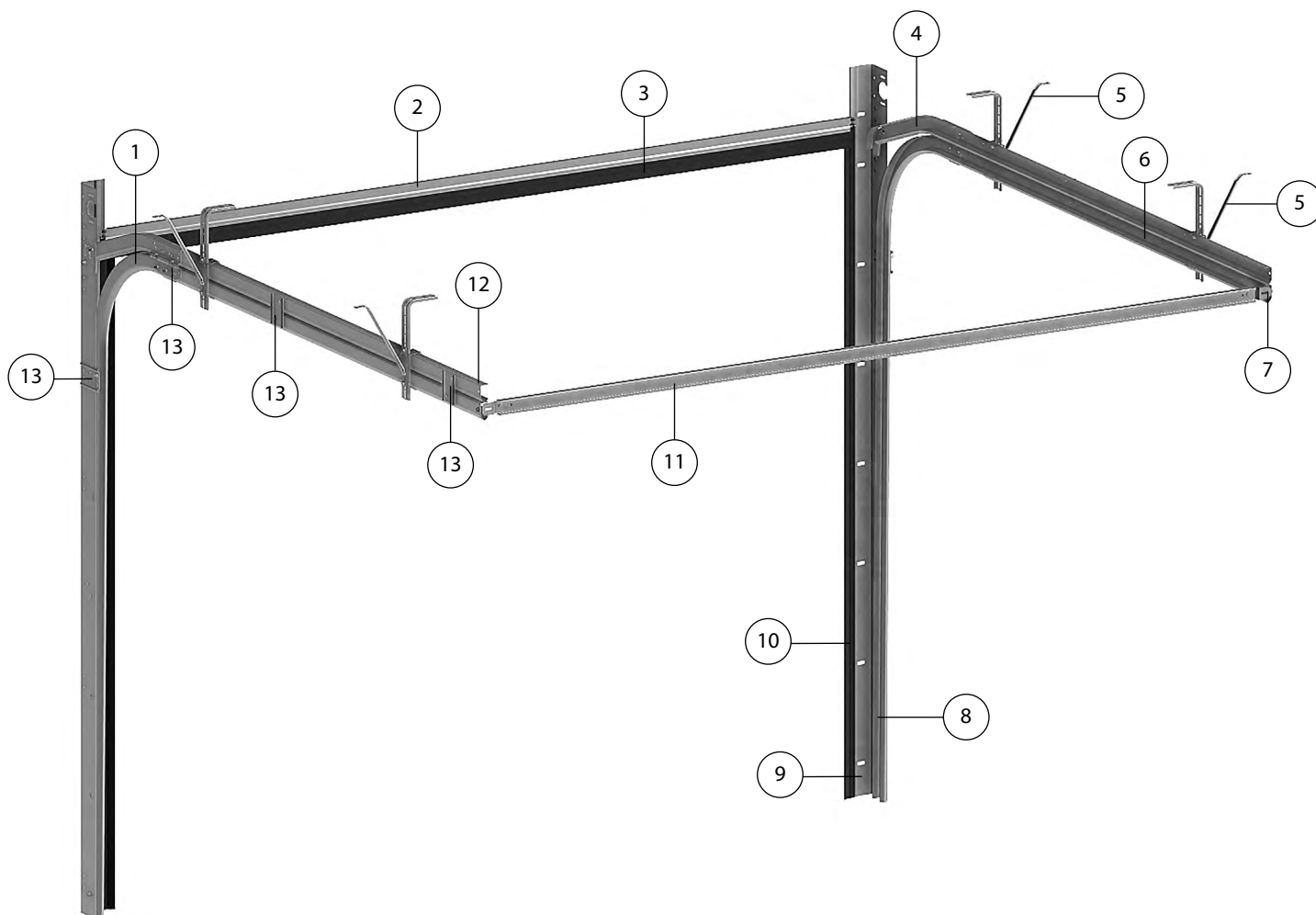
1.5

2

3

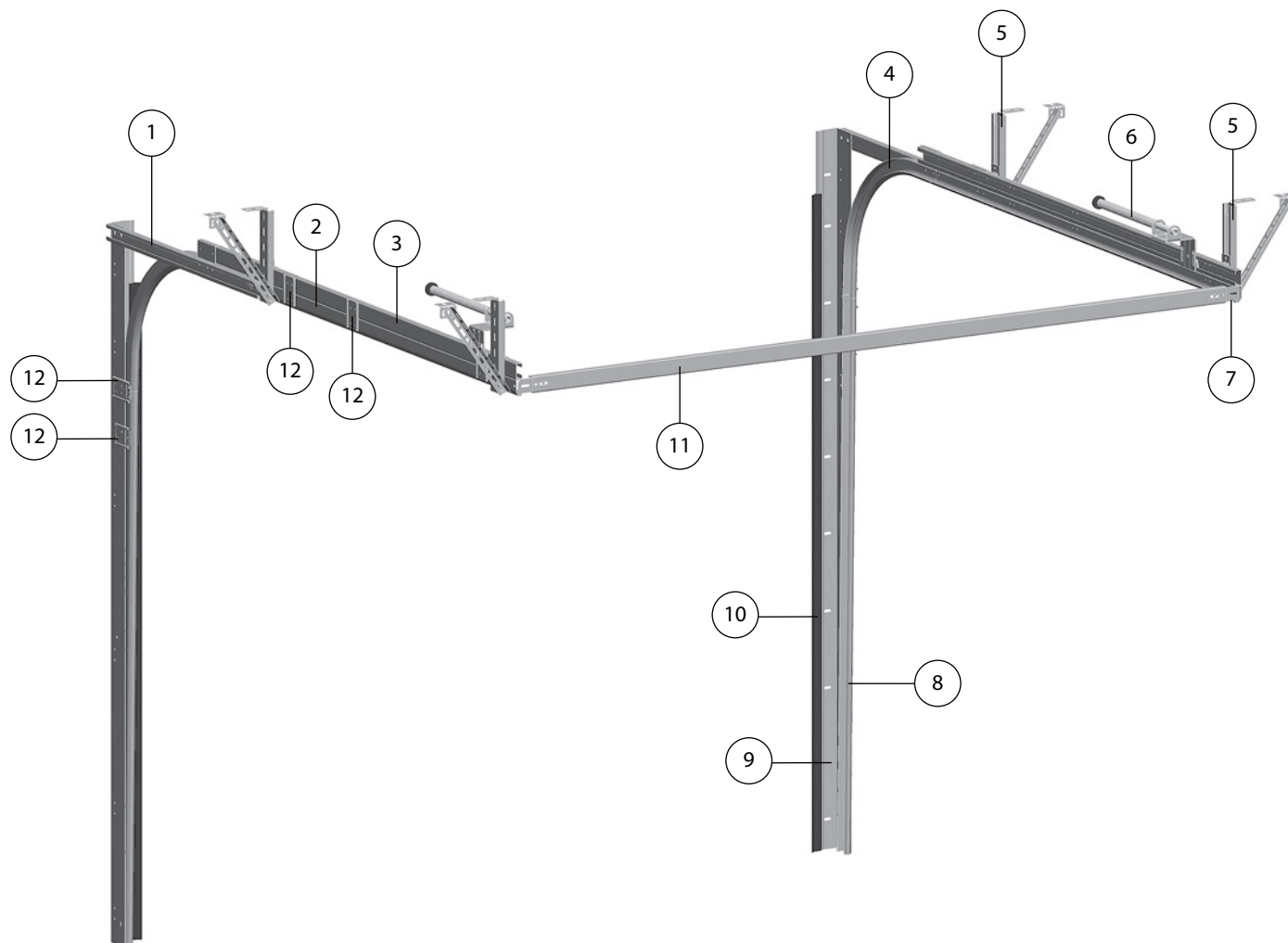
4

ГАРАЖНЫЕ ВОРОТА СЕРИИ PRESTIGE С ТОРСИОННЫМИ ПРУЖИНАМИ (СТАНДАРТНЫЙ МОНТАЖ)



| № | Наименование | № | Наименование |
|---|-------------------------------------|----|---------------------------------------|
| 1 | Элемент радиусный | 9 | Профиль угловой |
| 2 | Профиль передний (нащельник) | 10 | Вставка уплотнительная |
| 3 | Вставка уплотнительная | 11 | С-профиль (мерная планка) |
| 4 | Узел направляющий передний | 12 | Профиль направляющий (горизонтальный) |
| 5 | Телескопический подвес | 13 | Пластины соединительные |
| 6 | Ограничитель | | |
| 7 | Кронштейн мерной планки | | |
| 8 | Профиль направляющий (вертикальный) | | |

ТИПОВАЯ КОНСТРУКЦИЯ СИСТЕМЫ НАПРАВЛЯЮЩИХ И ПОДВЕСА ПРОМЫШЛЕННЫХ ВОРОТ СТАНДАРТНОГО ТИПА МОНТАЖА



| № | Наименование | № | Наименование |
|---|---------------------------------------|----|-------------------------------------|
| 1 | Узел передний | 7 | Кронштейн мерной планки |
| 2 | Профиль направляющий (горизонтальный) | 8 | Профиль направляющий (вертикальный) |
| 3 | C-профиль | 9 | Профиль угловой |
| 4 | Элемент радиусный | 10 | Вставка уплотнительная |
| 5 | Телескопический подвес | 11 | C-профиль (мерная планка) |
| 6 | Демпфер | 12 | Пластины соединительные |

1.1

1.2

1.3

1.4

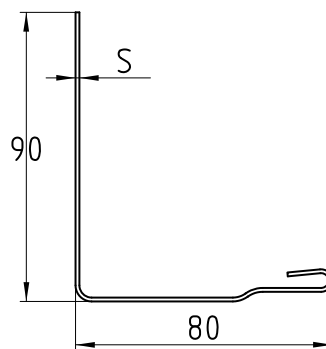
1.5

2

3

4

ПРОФИЛИ УГЛОВЫЕ

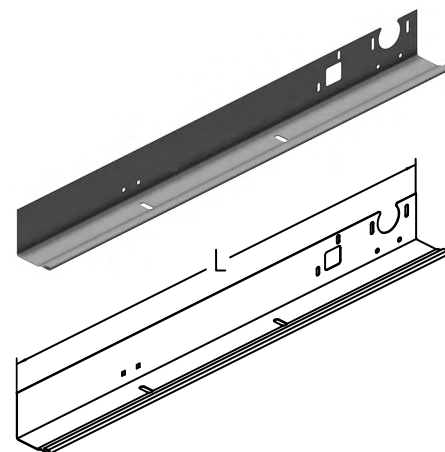


Профиль угловой

Предназначен для изготовления вертикальных направляющих.
Используется в гаражных воротах стандартного типа монтажа.

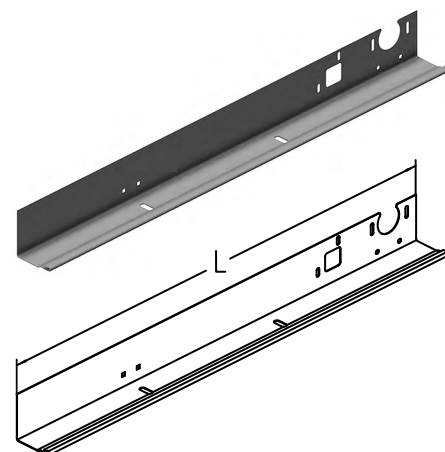
Толщина (S), мм 1,2
 Материал оцинкованная сталь
 Вес, кг/м 1,65
 Единица измерения м

| Артикул | Код | Примечание | Длина, мм | Норма поставки, м | Норма поставки, шт. |
|---------|-----------|------------|-----------|-------------------|---------------------|
| PRG32NL | 402010900 | Левый | 2295 | 34,425 | 15 |
| | | | 2420 | 36,300 | 15 |
| | | | 2545 | 38,175 | 15 |
| | | | 2670 | 40,050 | 15 |
| | | | 2810 | 42,150 | 15 |
| | | | 3010 | 45,150 | 15 |
| | | | 3295 | 49,425 | 15 |
| PRG32NR | 402011000 | Правый | 2295 | 34,425 | 15 |
| | | | 2420 | 36,300 | 15 |
| | | | 2545 | 38,175 | 15 |
| | | | 2670 | 40,050 | 15 |
| | | | 2810 | 42,150 | 15 |
| | | | 3010 | 45,150 | 15 |
| | | | 3295 | 49,425 | 15 |



Толщина (S), мм 1,5
 Материал оцинкованная сталь
 Вес, кг/м 2,087
 Единица измерения м

| Артикул | Код | Примечание | Длина, мм | Норма поставки, м | Норма поставки, шт. |
|---------|-----------|------------|-----------|-------------------|---------------------|
| PRG02NL | 402022900 | Левый | 2295 | 34,425 | 15 |
| | | | 2420 | 36,300 | 15 |
| | | | 2545 | 38,175 | 15 |
| | | | 2670 | 40,050 | 15 |
| | | | 2810 | 42,150 | 15 |
| | | | 3010 | 45,150 | 15 |
| | | | 3295 | 49,425 | 15 |
| | | | 3460 | 51,900 | 15 |
| PRG02NR | 40202300 | Правый | 2295 | 34,425 | 15 |
| | | | 2420 | 36,300 | 15 |
| | | | 2545 | 38,175 | 15 |
| | | | 2670 | 40,050 | 15 |
| | | | 2810 | 42,150 | 15 |
| | | | 3010 | 45,150 | 15 |
| | | | 3295 | 49,425 | 15 |
| | | | 3460 | 51,900 | 15 |



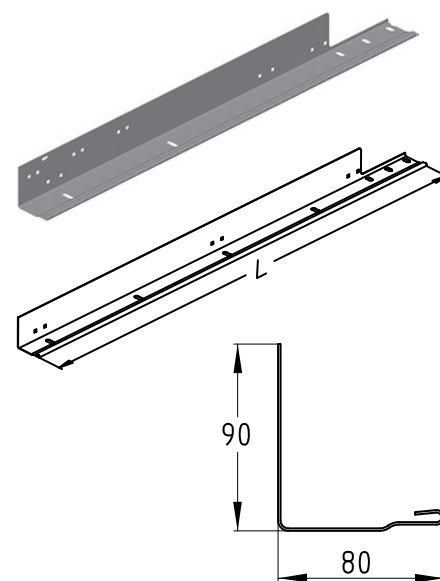
ПРОФИЛИ УГЛОВЫЕ

Профиль угловой

Предназначен для изготовления вертикальных направляющих.
Используется в гаражных воротах с пружинами растяжения.

Толщина (S), мм 1,2
 Материал оцинкованная сталь
 Вес, кг/м 1,593
 Единица измерения м

| Артикул | Код | Примечание | Длина, мм | Норма поставки, м | Норма поставки, шт. |
|---------|-----------|------------|-----------|-------------------|---------------------|
| PRG02SL | 402013400 | Левый | 2185 | 131,1 | 60 |
| | | | 2350 | 141,0 | 60 |
| | | | 2435 | 146,1 | 60 |
| | | | 2600 | 156,0 | 60 |
| | | | 2810 | 168,6 | 60 |
| | | | 3185 | 191,1 | 60 |
| PRG02SR | 402013500 | Правый | 2185 | 131,1 | 60 |
| | | | 2350 | 141,0 | 60 |
| | | | 2435 | 146,1 | 60 |
| | | | 2600 | 156,0 | 60 |
| | | | 2810 | 168,6 | 60 |
| | | | 3185 | 191,1 | 60 |



1.1

1.2

1.3

1.4

1.5

2

3

4

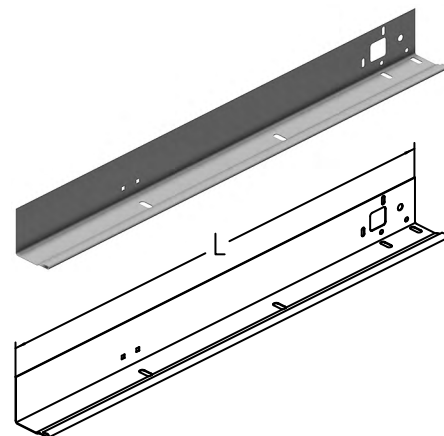
ПРОФИЛИ УГЛОВЫЕ

Профиль угловой

Предназначен для изготовления вертикальных направляющих.
Используется в гаражных воротах низкого типа монтажа.

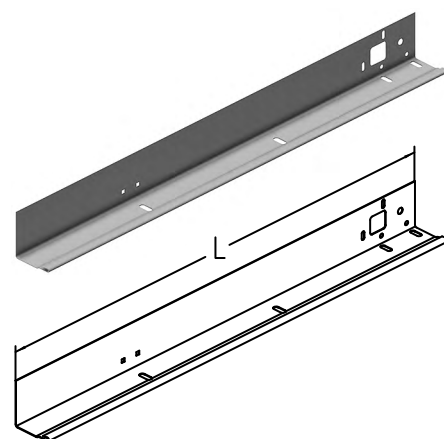
Толщина (S), мм 1,2
Материал оцинкованная сталь
Вес, кг/м 1,65
Единица измерения м

| Артикул | Код | Примечание | Длина, мм | Норма поставки, м | Норма поставки, шт. |
|---------|-----------|------------|-----------|-------------------|---------------------|
| PRG32LL | 402011100 | Левый | 2295 | 34,425 | 15 |
| | | | 2420 | 36,300 | 15 |
| | | | 2545 | 38,175 | 15 |
| | | | 2670 | 40,050 | 15 |
| | | | 2810 | 42,150 | 15 |
| | | | 3010 | 45,150 | 15 |
| | | | 3295 | 49,425 | 15 |
| | | | 3350 | 50,250 | 15 |
| PRG32LR | 402011200 | Правый | 2295 | 34,425 | 15 |
| | | | 2420 | 36,300 | 15 |
| | | | 2545 | 38,175 | 15 |
| | | | 2670 | 40,050 | 15 |
| | | | 2810 | 42,150 | 15 |
| | | | 3010 | 45,150 | 15 |
| | | | 3295 | 49,425 | 15 |
| | | | 3350 | 50,250 | 15 |



Толщина (S), мм 1,5
Материал оцинкованная сталь
Вес, кг/м 2,106
Единица измерения м

| Артикул | Код | Примечание | Длина, мм | Норма поставки, м | Норма поставки, шт. |
|---------|-----------|------------|-----------|-------------------|---------------------|
| PRG02LL | 402023100 | Левый | 2295 | 34,425 | 15 |
| | | | 2420 | 36,300 | 15 |
| | | | 2545 | 38,175 | 15 |
| | | | 2670 | 40,050 | 15 |
| | | | 2810 | 42,150 | 15 |
| | | | 3010 | 45,150 | 15 |
| | | | 3295 | 49,425 | 15 |
| | | | 3350 | 50,250 | 15 |
| PRG02LR | 402022700 | Правый | 2295 | 34,425 | 15 |
| | | | 2420 | 36,300 | 15 |
| | | | 2545 | 38,175 | 15 |
| | | | 2670 | 40,050 | 15 |
| | | | 2810 | 42,150 | 15 |
| | | | 3010 | 45,150 | 15 |
| | | | 3295 | 49,425 | 15 |
| | | | 3350 | 50,250 | 15 |

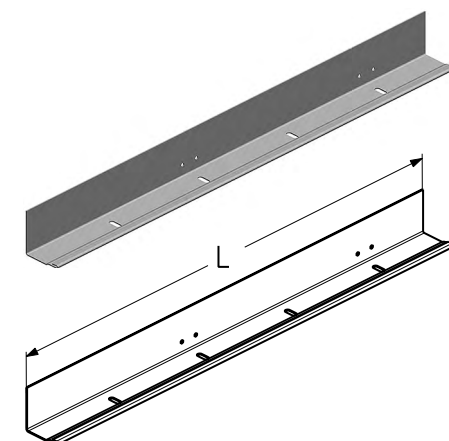


Профиль угловой

Предназначен для изготовления вертикальных направляющих.
Используется в гаражных воротах высокого типа монтажа.

Толщина (S), мм 1,5
Материал оцинкованная сталь
Вес, кг/м 2,04
Единица измерения м

| Артикул | Код | Длина, мм | Норма поставки, м | Норма поставки, шт. |
|---------|-----------|-----------|-------------------|---------------------|
| PRG02H | 402022800 | 4600 | 138,00 | 30 |
| | | 3355 | 100,65 | 30 |
| | | 3855 | 115,65 | 30 |
| | | 4255 | 127,65 | 30 |
| | | 4555 | 136,65 | 30 |



ПРОФИЛИ УГЛОВЫЕ

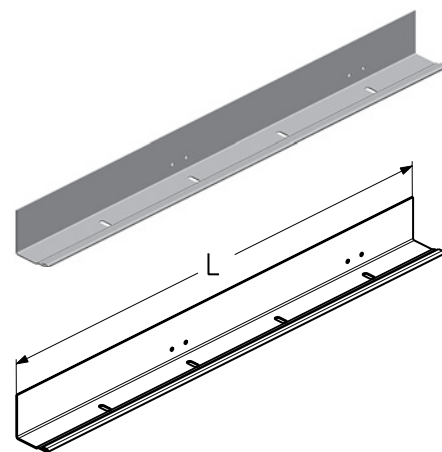
Профиль угловой

Предназначен для изготовления вертикальных направляющих.

Используется в промышленных воротах всех типов монтажа, кроме низкого и наклонного низкого.

Толщина (S), мм 2
 Материал оцинкованная сталь
 Вес, кг/м 2,67
 Единица измерения м

| Артикул | Код | Длина, мм | Норма поставки, м | Норма поставки, шт. |
|---------|-----------|-----------|-------------------|---------------------|
| PRG01 | 402032000 | 3355 | 100,65 | 30 |
| | | 3855 | 115,65 | 30 |
| | | 4255 | 127,65 | 30 |
| | | 4555 | 136,65 | 30 |
| | | 4755 | 142,65 | 30 |
| | | 5055 | 151,65 | 30 |
| | | 6000 | 180,00 | 30 |



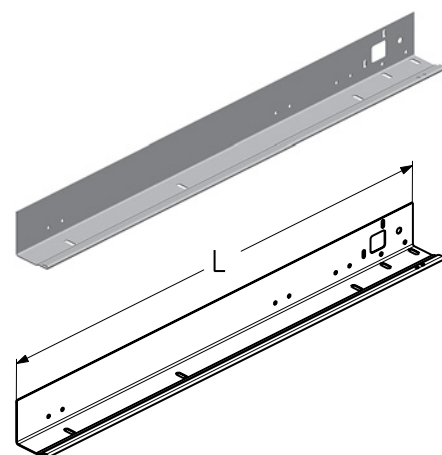
Профиль угловой

Предназначен для изготовления вертикальных направляющих.

Используется в промышленных воротах низкого типа монтажа.

Толщина (S), мм 2
 Материал оцинкованная сталь
 Вес, кг/м 2,66
 Единица измерения м

| Артикул | Код | Примечание | Длина, мм | Норма поставки, м | Норма поставки, шт. |
|---------|-----------|------------|-----------|-------------------|---------------------|
| PRG01LL | 402032100 | Левый | 3355 | 50,325 | 15 |
| | | | 4155 | 62,325 | 15 |
| | | | 4555 | 68,325 | 15 |
| | | | 6000 | 90,000 | 15 |
| PRG01LR | 402032200 | Правый | 3355 | 50,325 | 15 |
| | | | 4125 | 62,325 | 15 |
| | | | 4555 | 68,325 | 15 |
| | | | 6000 | 90,000 | 15 |



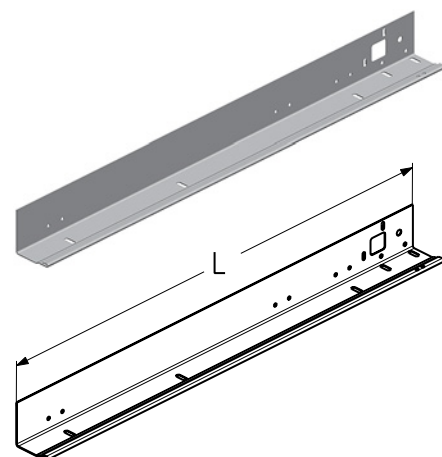
Профиль угловой

Предназначен для изготовления вертикальных направляющих.

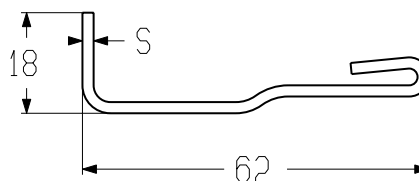
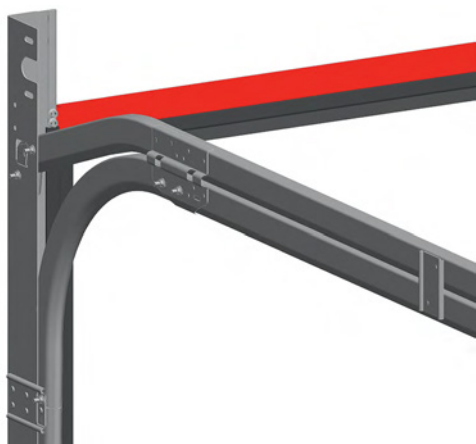
Используется в промышленных воротах наклонного низкого типа монтажа.

Толщина (S), мм 2
 Материал оцинкованная сталь
 Вес, кг/м 2,66
 Единица измерения м

| Артикул | Код | Примечание | Длина, мм | Норма поставки, м | Норма поставки, шт. |
|----------|-----------|------------|-----------|-------------------|---------------------|
| PRG01LFL | 402032300 | Левый | 3355 | 50,325 | 15 |
| | | | 4155 | 62,325 | 15 |
| | | | 4555 | 68,325 | 15 |
| | | | 6000 | 90,00 | 15 |
| PRG01LFR | 402032400 | Правый | 3355 | 50,325 | 15 |
| | | | 4155 | 62,325 | 15 |
| | | | 4555 | 68,325 | 15 |
| | | | 6000 | 90,00 | 15 |



ПРОФИЛИ ПЕРЕДНИЕ



Профиль передний (нащельник)

Предназначен для соединения профилей угловых и для крепления вставки уплотнительной (IS85).

Используется:

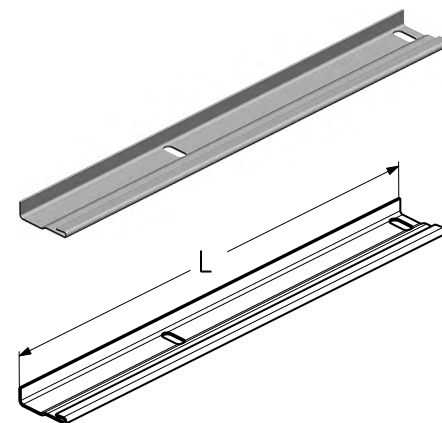
- в гаражных воротах с пружинами растяжения;
- в гаражных воротах стандартного и низкого типов монтажа;
- в промышленных воротах низкого и наклонного низкого типов монтажа.

Толщина (S), мм 1,2

Материал оцинкованная сталь

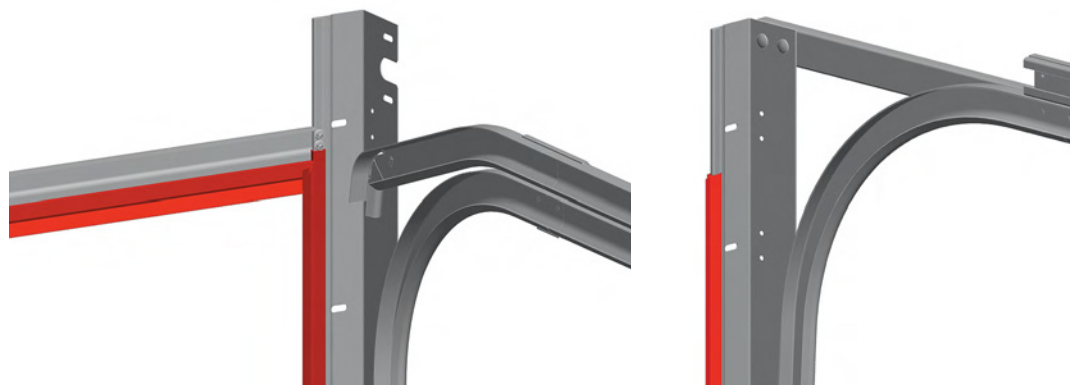
Вес, кг/м 0,825

Единица измерения м



| Артикул | Код | Длина, мм | Норма поставки, м | Норма поставки, шт. |
|---------|-----------|-----------|-------------------|---------------------|
| PRG05S | 402431000 | 5600 | 336,0 | 60 |
| | | 6000 | 360,0 | 60 |

ВСТАВКА УПЛОТНИТЕЛЬНАЯ

**Вставка уплотнительная**

Предназначена для герметизации проема.

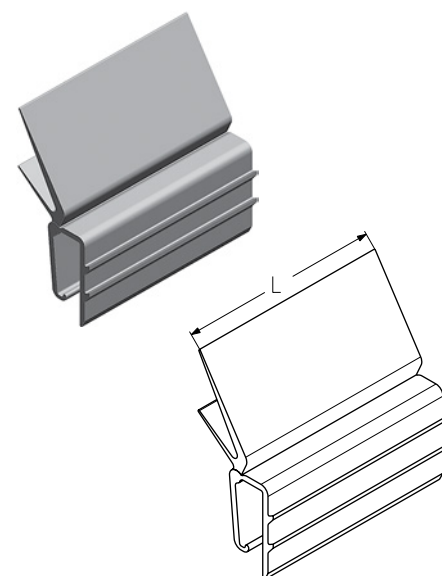
Устанавливается:

- совместно с профилем передним в гаражных воротах с пружинами растяжения;
- совместно с профилем передним в гаражных воротах стандартного и низкого типов монтажа;
- совместно с профилем передним в промышленных воротах низкого и наклонного низкого типов монтажа;
- совместно с профилем угловым в гаражных и промышленных воротах всех типов монтажа.

Материал PVC и TPR

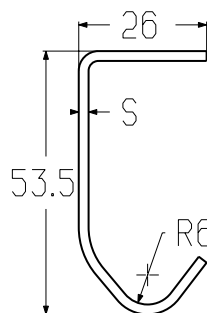
Вес, кг/м 0,2

Единица измерения м



| Артикул | Код | Длина, мм | Норма поставки, м | Норма поставки, шт. |
|-----------|-----------|-----------|-------------------|---------------------|
| IS85-2550 | 401540600 | 2550 | 25,5 | 10 |
| IS85-3060 | 401540100 | 3060 | 30,6 | 10 |
| IS85-3550 | 401540700 | 3550 | 35,5 | 10 |
| IS85-4100 | 401541200 | 4100 | 41,0 | 10 |
| IS85-4580 | 401541300 | 4580 | 45,8 | 10 |
| IS85-6000 | 401541300 | 6000 | 60,0 | 10 |
| IS85-7000 | 401540800 | 7000 | 70,0 | 10 |
| IS85-8000 | 401540900 | 8000 | 80,0 | 10 |

ПРОФИЛЬ НАПРАВЛЯЮЩИЙ ГАРАЖНЫХ ВОРОТ

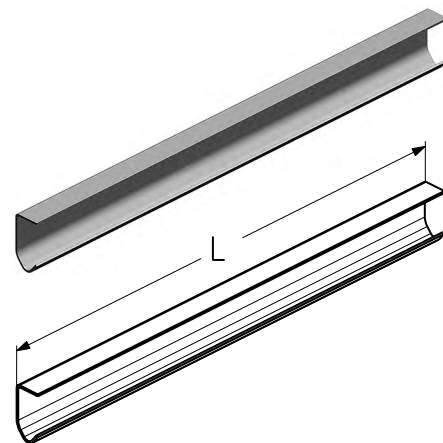


Профиль направляющий

Предназначен для создания траектории движения полотна ворот.
Устанавливается совместно с профилем угловым PRG02SL, PRG02SR, PRG32LL, PRG32LR.
Используется в гаражных воротах с пружинами растяжения и торсионными пружинами всех типов монтажа.

Толщина (S), мм 1,2
Материал оцинкованная сталь
Вес, кг/м 0,891
Единица измерения м

| Артикул | Код | Длина, мм | Норма поставки, м | Норма поставки, шт. |
|---------|-----------|-----------|-------------------|---------------------|
| PRG04S | 402130000 | 1795 | 89,75 | 50 |
| | | 1920 | 96,00 | 50 |
| | | 2045 | 102,25 | 50 |
| | | 2170 | 108,50 | 50 |
| | | 2295 | 114,75 | 50 |
| | | 2435 | 121,75 | 50 |
| | | 2727 | 136,35 | 50 |
| | | 2970 | 148,50 | 50 |

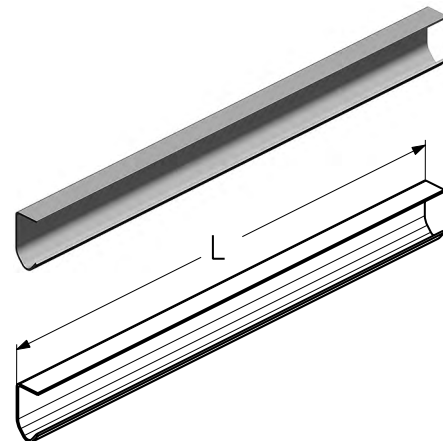


Профиль направляющий

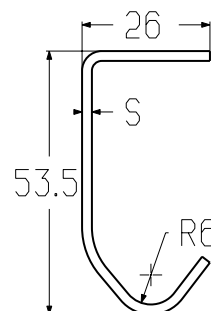
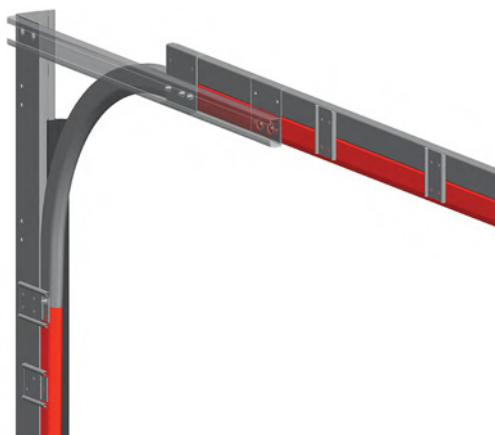
Предназначен для создания траектории движения полотна ворот. Устанавливается совместно с профилем угловым (PRG02). Используется в гаражных воротах всех типов монтажа.

Толщина (S), мм 1,5
Материал оцинкованная сталь
Вес, кг/м 1,132
Единица измерения м

| Артикул | Код | Длина, мм | Норма поставки, м | Норма поставки, шт. |
|---------|-----------|-----------|-------------------|---------------------|
| PRG04 | 402110800 | 1795 | 89,75 | 50 |
| | | 1920 | 96,00 | 50 |
| | | 2045 | 102,25 | 50 |
| | | 2170 | 108,50 | 50 |
| | | 2295 | 114,75 | 50 |
| | | 2435 | 121,75 | 50 |
| | | 2727 | 136,35 | 50 |
| | | 2800 | 140,00 | 50 |
| | | 2970 | 148,50 | 50 |
| | | 3500 | 175,00 | 50 |
| | | 4060 | 203,00 | 50 |
| | | 4350 | 217,50 | 50 |



ПРОФИЛЬ НАПРАВЛЯЮЩИЙ ПРОМЫШЛЕННЫХ ВОРОТ



Профиль направляющий

Предназначен для создания траектории движения полотна ворот.

Устанавливается совместно с профилем угловым (PRG01).

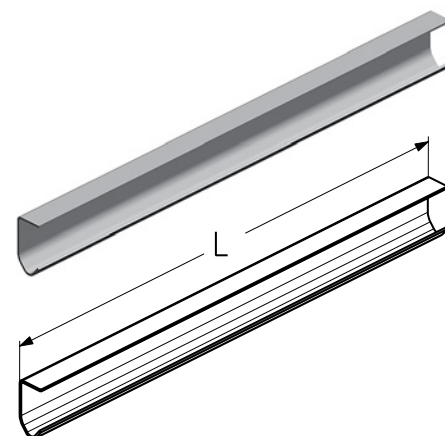
Используется в промышленных воротах всех типов монтажа.

Толщина (S), мм 2

Материал оцинкованная сталь

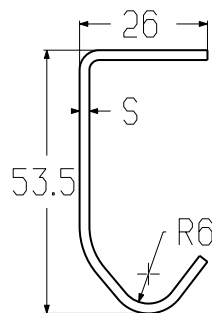
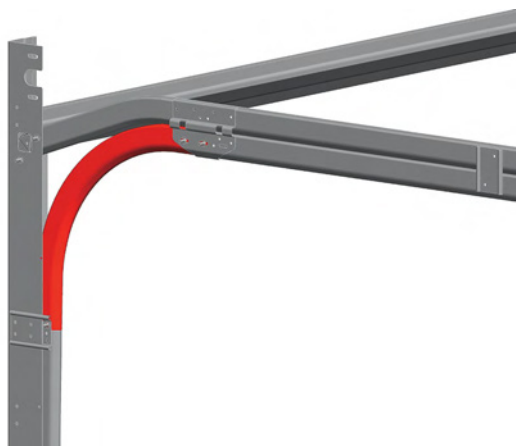
Вес, кг/м 1,439

Единица измерения м



| Артикул | Код | Длина, мм | Норма поставки, м | Норма поставки, шт. |
|---------|-----------|-----------|-------------------|---------------------|
| PRG03 | 402120600 | 2800 | 140,0 | 50 |
| | | 3500 | 175,0 | 50 |
| | | 8000 | 480,0 | 60 |
| | | 4060 | 203,0 | 50 |
| | | 4350 | 217,5 | 50 |
| | | 5000 | 250,0 | 50 |
| | | 6000 | 300,0 | 50 |

ЭЛЕМЕНТ РАДИУСНЫЙ

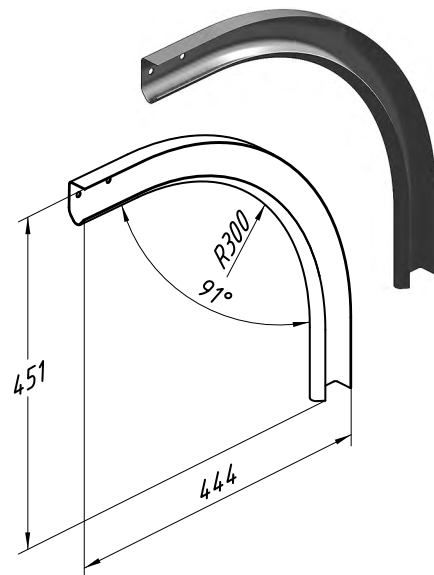


Элемент радиусный левый/правый

Предназначен для соединения вертикальной и горизонтальной направляющих.

Радиус, мм 300
 Материал оцинкованная сталь
 Единица измерения шт.
 Норма поставки, шт. 60

| Артикул | Код | Толщина S, мм | Вес, кг/шт. | Примечание | Применение |
|---------|-----------|---------------|-------------|------------|---|
| RE801SL | 402210000 | 1,2 | 0,605 | Левый | • для гаражных ворот с пружинами растяжения; • для гаражных ворот стандартного и низкого типов монтажа |
| RE801SR | 402210100 | 1,2 | 0,605 | Правый | |
| RE801L | 402220000 | 1,5 | 0,745 | Левый | для гаражных ворот стандартного и низкого типов монтажа |
| RE801R | 402220100 | 1,5 | 0,745 | Правый | |

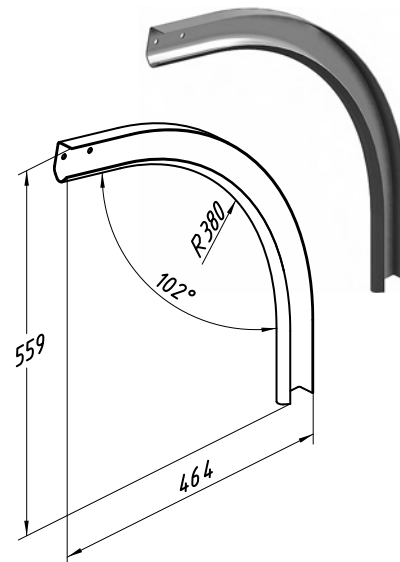


Элемент радиусный левый/правый

Предназначен для соединения вертикальной и горизонтальной направляющих. Используется в гаражных воротах высокого типа монтажа.

Радиус, мм 380
 Материал оцинкованная сталь
 Толщина (S), мм 1,5
 Вес, кг/шт. 0,86
 Единица измерения шт.
 Норма поставки, шт. 60

| Артикул | Код | Примечание |
|---------|-----------|------------|
| RE701HL | 402220200 | Левый |
| RE701HR | 402220300 | Правый |



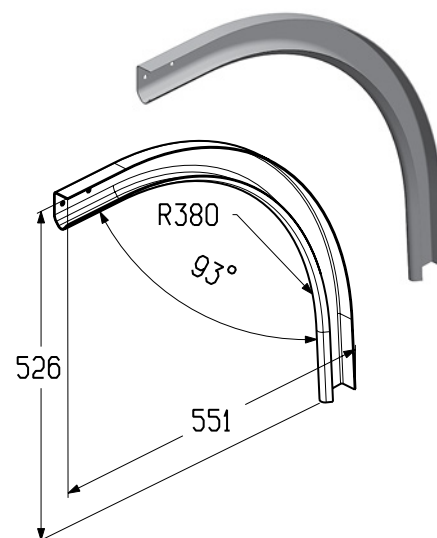
ЭЛЕМЕНТ РАДИУСНЫЙ

Элемент радиусный левый/правый

Предназначен для соединения вертикальной и горизонтальной направляющих.
Используется в промышленных воротах стандартного, высокого с верхним и нижним расположением вала и низкого типов монтажа.

| | |
|---------------------|--------------------|
| Радиус, мм | 380 |
| Толщина (S), мм | 2 |
| Материал | оцинкованная сталь |
| Вес, кг/шт. | 1,274 |
| Единица измерения | шт. |
| Норма поставки, шт. | 60 |

| Артикул | Код | Примечание |
|---------|-----------|------------|
| RE101L | 402230000 | Левый |
| RE101R | 402230100 | Правый |

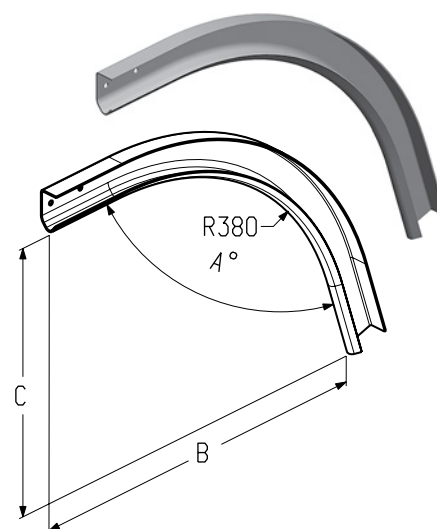


Элемент радиусный левый/правый

Предназначен для соединения вертикальной и горизонтальной направляющих.
Используется в промышленных воротах наклонного, наклонного высокого с верхним и нижним расположением вала, наклонного низкого типов монтажа.

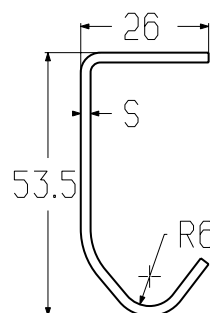
| | |
|---------------------|--------------------|
| Радиус, мм | 380 |
| Толщина (S), мм | 2 |
| Материал | оцинкованная сталь |
| Единица измерения | шт. |
| Норма поставки, шт. | 60 |

| Артикул | Код | Основные размеры | | | Угол наклона,* град | Вес, кг/шт. | Примечание |
|------------|-----------|------------------|-------|-------|---------------------|-------------|------------|
| | | A, град. | B, мм | C, мм | | | |
| RE101FL-5 | 402230200 | 97 | 445 | 445 | 5 | 1,218 | Левый |
| RE101FR-5 | 402230300 | 97 | 445 | 445 | 5 | 1,218 | Правый |
| RE101FL-10 | 402230400 | 102 | 411 | 411 | 10 | 1,163 | Левый |
| RE101FR-10 | 402230500 | 102 | 411 | 411 | 10 | 1,163 | Правый |
| RE101FL-15 | 402230600 | 107 | 376 | 376 | 15 | 1,110 | Левый |
| RE101FR-15 | 402230700 | 107 | 376 | 376 | 15 | 1,110 | Правый |
| RE101FL-20 | 402230800 | 112 | 342 | 342 | 20 | 1,055 | Левый |
| RE101FR-20 | 402230900 | 112 | 342 | 342 | 20 | 1,055 | Правый |
| RE101FL-25 | 402231000 | 117 | 307 | 307 | 25 | 1,050 | Левый |
| RE101FR-25 | 402231100 | 117 | 307 | 307 | 25 | 1,050 | Правый |
| RE101FL-30 | 402231200 | 122 | 274 | 274 | 30 | 0,958 | Левый |
| RE101FR-30 | 402231300 | 122 | 274 | 274 | 30 | 0,958 | Правый |
| RE101FL-35 | 402231400 | 128 | 260 | 260 | 35 | 1,001 | Левый |
| RE101FR-35 | 402231500 | 128 | 260 | 260 | 35 | 1,001 | Правый |
| RE101FL-40 | 402231600 | 133 | 245 | 245 | 40 | 1,024 | Левый |
| RE101FR-40 | 402231700 | 133 | 245 | 245 | 40 | 1,024 | Правый |
| RE101FL-45 | 402231800 | 138 | 210 | 230 | 45 | 1,010 | Левый |
| RE101FR-45 | 402231900 | 138 | 210 | 230 | 45 | 1,010 | Правый |



* Угол наклона горизонтальной направляющей.

УЗЕЛ НАПРАВЛЯЮЩИЙ ПЕРЕДНИЙ



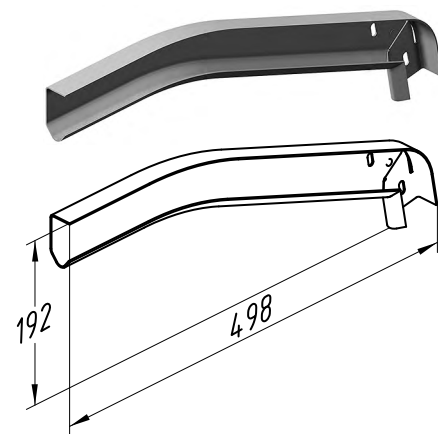
Узел направляющий передний левый Узел направляющий передний правый

Предназначен для создания траектории движения верхней панели полотна ворот совместно с профилем направляющим (PRG04, PRG04S).

Используется в гаражных воротах стандартного типа монтажа.

Материал оцинкованная сталь
Единица измерения шт.
Норма поставки, шт. 60

| Артикул | Код | Толщина (S), мм | Вес, кг/шт. | Применение |
|---------|-----------|-----------------|-------------|------------|
| S340NL | 402310200 | 1,2 | 0,474 | Левый |
| S340NR | 402310300 | 1,2 | 0,474 | Правый |
| S840NL | 402320000 | 1,5 | 0,596 | Левый |
| S840NR | 402320100 | 1,5 | 0,596 | Правый |

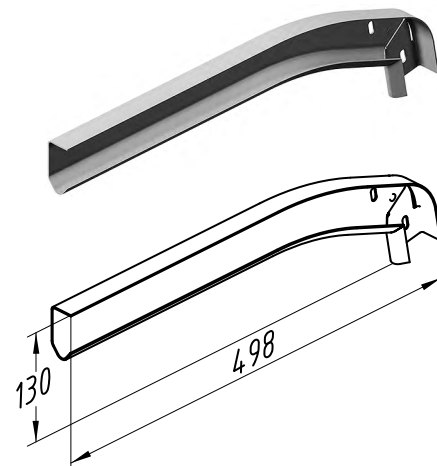


Узел направляющий передний левый Узел направляющий передний правый

Предназначен для создания траектории движения верхней панели полотна ворот совместно с профилем направляющим (PRG04, PRG04S).

Материал оцинкованная сталь
Единица измерения шт.
Норма поставки, шт. 60

| Артикул | Код | Толщина (S), мм | Вес, кг/шт. | Примечание | Применение |
|---------|-----------|-----------------|-------------|------------|---|
| S940SL | 402310000 | 1,2 | 0,470 | Левый | • для гаражных ворот с пружинами растяжения; • для гаражных ворот низкого типа монтажа |
| S940SR | 402310100 | 1,2 | 0,470 | Правый | |
| S940LL | 402320200 | 1,5 | 0,596 | Левый | для гаражных ворот низкого типа монтажа |
| S940LR | 402320300 | 1,5 | 0,596 | Правый | |



УЗЕЛ НАПРАВЛЯЮЩИЙ ПЕРЕДНИЙ

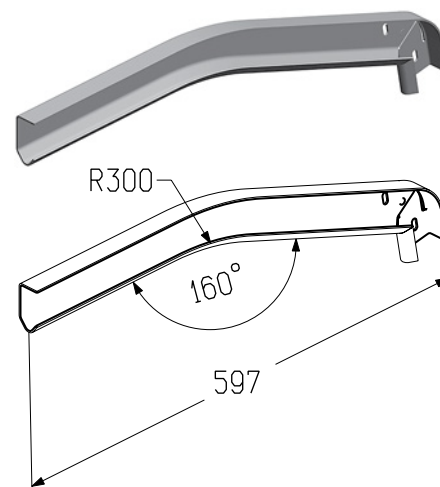
Узел направляющий передний левый
Узел направляющий передний правый

Предназначен для создания траектории движения верхней панели полотна ворот совместно с профилем направляющим (PRG03).

Используется в промышленных воротах низкого типа монтажа.

| | |
|---------------------|--------------------|
| Толщина (S), мм | 2 |
| Материал | оцинкованная сталь |
| Вес, кг/шт. | 0,875 |
| Единица измерения | шт. |
| Норма поставки, шт. | 60 |

| Артикул | Код | Примечание |
|---------|-----------|------------|
| S140LL | 402330000 | Левый |
| S140LR | 402330100 | Правый |

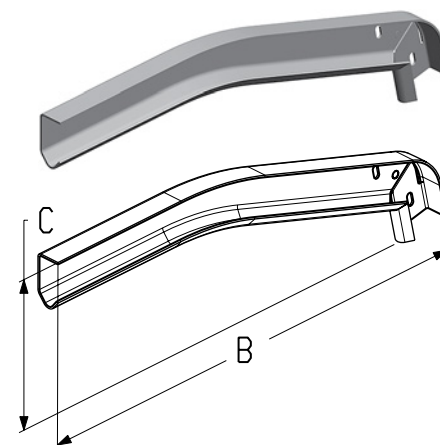
**Узел направляющий передний левый**
Узел направляющий передний правый

Предназначен для создания траектории движения верхней панели полотна ворот совместно с профилем направляющим (PRG03).

Используется в промышленных воротах наклонного низкого типа монтажа, в промышленных воротах низкого с передним расположением вала типом монтажа (S-160LNL, S-160LNR).

| | |
|---------------------|--------------------|
| Толщина (S), мм | 2 |
| Материал | оцинкованная сталь |
| Единица измерения | шт. |
| Норма поставки, шт. | 60 |

| Артикул | Код | Основные размеры | | Угол наклона,* град | Вес, кг/шт. | Примечание |
|------------|-----------|------------------|-------|---------------------|-------------|------------|
| | | В, мм | С, мм | | | |
| S140LFL-5 | 402330200 | 559 | 237 | 5 | 0,870 | Левый |
| S140LFR-5 | 402330300 | 559 | 237 | 5 | 0,870 | Правый |
| S140LFL-10 | 402330400 | 543 | 201 | 10 | 0,810 | Левый |
| S140LFR-10 | 402330500 | 543 | 201 | 10 | 0,810 | Правый |
| S140LFL-15 | 402330600 | 506 | 168 | 15 | 0,755 | Левый |
| S140LFR-15 | 402330700 | 506 | 168 | 15 | 0,755 | Правый |
| S140LFL-20 | 402330800 | 473 | 139 | 20 | 0,705 | Левый |
| S140LFR-20 | 402330900 | 473 | 139 | 20 | 0,705 | Правый |
| S140LFL-25 | 402331000 | 441 | 111 | 25 | 0,685 | Левый |
| S140LFR-25 | 402331100 | 441 | 111 | 25 | 0,685 | Правый |
| S140LFL-30 | 402331200 | 409 | 86 | 30 | 0,645 | Левый |
| S140LFR-30 | 402331300 | 409 | 86 | 30 | 0,645 | Правый |
| S140LFL-35 | 402331600 | 427 | 86 | 35 | 0,650 | Левый |
| S140LFR-35 | 402331700 | 427 | 86 | 35 | 0,650 | Правый |
| S140LFL-40 | 402331800 | 427 | 86 | 40 | 0,650 | Левый |
| S140LFR-40 | 402331900 | 427 | 86 | 40 | 0,650 | Правый |
| S140LFL-45 | 402332000 | 407 | 86 | 45 | 0,620 | Левый |
| S140LFR-45 | 402332100 | 407 | 86 | 45 | 0,620 | Правый |
| S-160LNL | 402332300 | 636 | 137 | 20 | 0,943 | Левый |
| S-160LNR | 402332200 | 636 | 137 | 20 | 0,943 | Правый |



* Угол наклона горизонтальной направляющей.

ПРОФИЛИ НАПРАВЛЯЮЩИЕ



С-профиль

Предназначен для изготовления мерной планки:

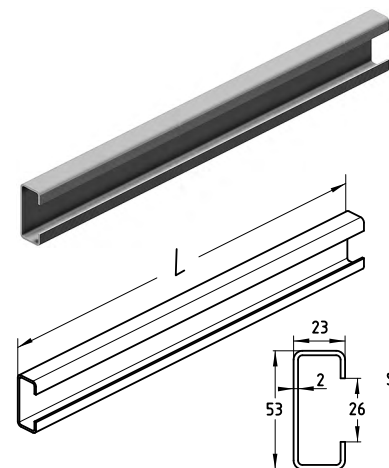
- в промышленных воротах всех типов монтажа, кроме низкого и наклонного низкого.

Предназначен для усиления горизонтальной направляющей:

- в гаражных воротах высокого типа монтажа;
- в промышленных воротах всех типов монтажа, кроме низкого и наклонного низкого.

Предназначен для соединения профиля углового и профиля направляющего в промышленных воротах вертикального типа монтажа с верхним расположением вала.

Материал оцинкованная сталь
 Вес, кг/м 1,74
 Единица измерения м

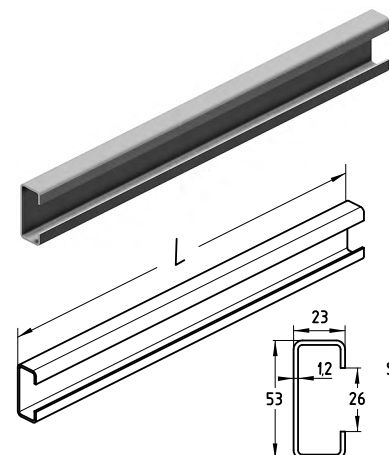


| Артикул | Код | Длина (L), мм | Норма поставки, м | Норма поставки, шт. |
|---------|-----------|---------------|-------------------|---------------------|
| PRG07N | 402421600 | 3045 | 152,25 | 50 |
| | | 3245 | 162,65 | 50 |
| | | 3550 | 177,50 | 50 |
| | | 4050 | 202,50 | 50 |
| | | 4550 | 227,50 | 50 |
| | | 5106 | 255,30 | 50 |
| | | 5600 | 280,00 | 50 |
| | | 6000 | 300,00 | 50 |
| | | 6860 | 343,00 | 50 |
| | | 10040 | 502,00 | 50 |

С-профиль

Предназначен для изготовления мерной планки.

Толщина (S), мм 1,2
 Материал оцинкованная сталь
 Вес, кг/м 1,76
 Единица измерения м



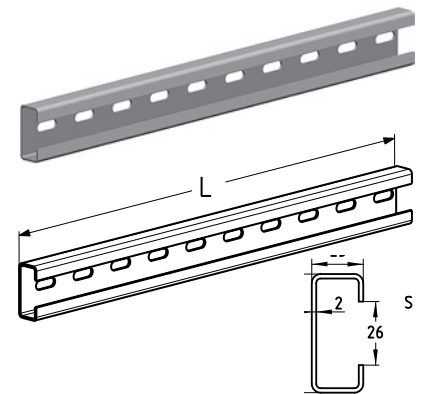
| Артикул | Код | Длина (L), мм | Норма поставки, м | Норма поставки, шт. |
|---------|-----------|---------------|-------------------|---------------------|
| PRG07NS | 402470000 | 2550 | 127,50 | 50 |
| | | 2645 | 132,25 | 50 |
| | | 2845 | 142,25 | 50 |
| | | 3050 | 152,50 | 50 |
| | | 3545 | 177,25 | 50 |

**С-ПРОФИЛЬ
(МЕРНОЙ ПЛАНКИ)****С-профиль**

Перфорированный, предназначен для изготовления мерной планки.
Используется в промышленных воротах низкого и наклонного низкого типов монтажа.

Материал оцинкованная сталь
Вес, кг/м 1,67
Единица измерения м

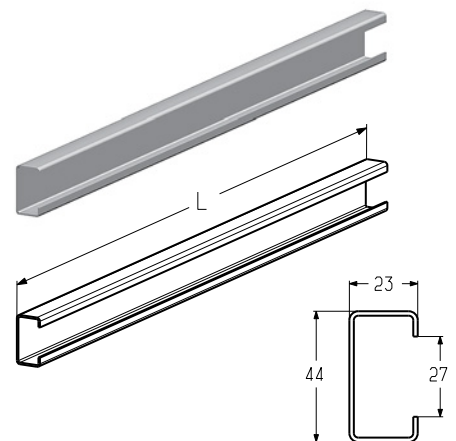
| Артикул | Код | Длина (L), мм | Норма поставки, м | Норма поставки, шт. |
|---------|-----------|---------------|-------------------|---------------------|
| PRG07 | 402421500 | 6000 | 300 | 50 |

**С-профиль**

Предназначен для изготовления мерной планки. Используется в гаражных воротах с пружинами растяжения и торсионными пружинами всех типов монтажа.

Толщина, мм 1,5
Материал оцинкованная сталь
Длина, мм 5700
Вес, кг/м 1,133
Единица измерения м

| Артикул | Код |
|-------------|-----------|
| PRG-33-5700 | 402480100 |



1.1

1.2

1.3

1.4

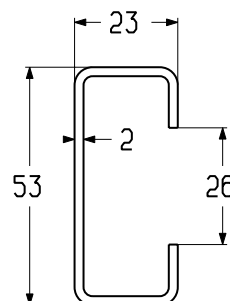
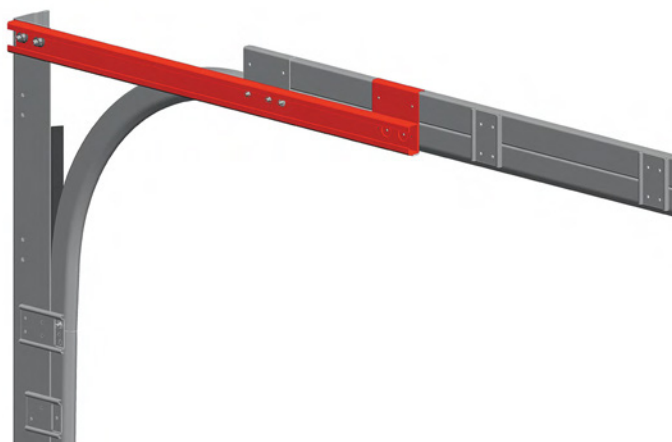
1.5

2

3

4

УЗЕЛ ПЕРЕДНИЙ

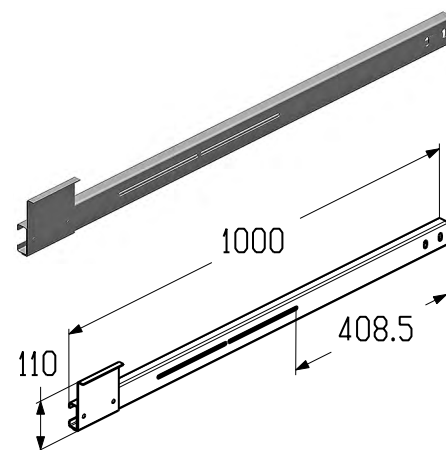


Узел передний левый Узел передний правый

Предназначен для соединения профиля углового с горизонтальной направляющей.
Используется:

- в гаражных воротах высокого типа монтажа;
- в промышленных воротах стандартного и высокого с верхним и нижним расположением вала типов монтажа.

| | |
|--------------------------|--------------------|
| Длина, мм | 960 |
| Материал | оцинкованная сталь |
| Вес, кг/шт. | 1,768 |
| Единица измерения | шт. |
| Норма поставки, шт. | 100 |

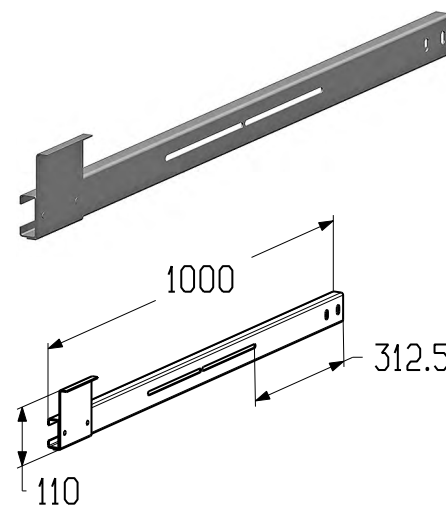


| Артикул | Код | Примечание |
|---------|-----------|------------|
| S-171L | 402500300 | Левый |
| S-171R | 402500400 | Правый |

Узел передний левый Узел передний правый

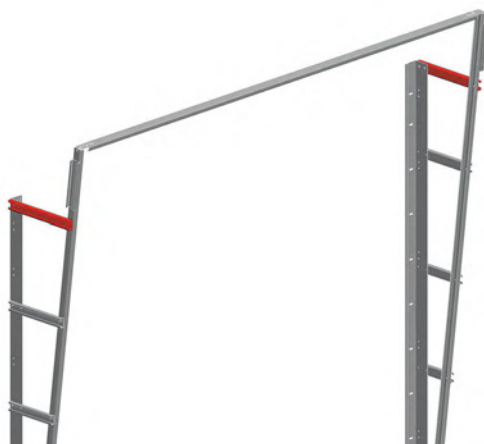
Предназначен для соединения профиля углового с горизонтальной направляющей.
Используется в промышленных воротах наклонного, наклонного высокого с верхним и нижним расположением вала типов монтажа.

| | |
|--------------------------|--------------------|
| Длина, мм | 760 |
| Материал | оцинкованная сталь |
| Вес, кг/шт. | 1,486 |
| Единица измерения | шт. |
| Норма поставки, шт. | 100 |



| Артикул | Код | Примечание |
|---------|-----------|------------|
| S-172L | 402500500 | Левый |
| S-172R | 402500600 | Правый |

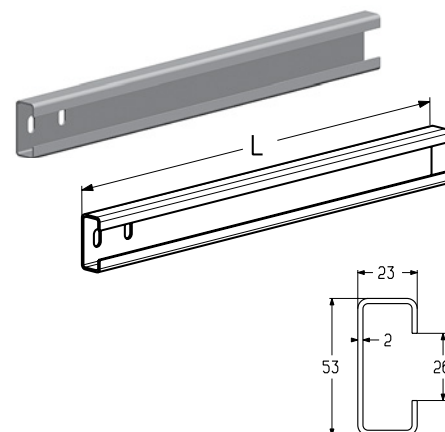
КРОНШТЕЙН СОЕДИНИТЕЛЬНЫЙ

**Кронштейн соединительный**

Предназначен для соединения профиля углового и профиля направляющего.
Используется в промышленных воротах вертикального типа монтажа
с верхним расположением вала.

Материал Оцинкованная сталь
Единица измерения шт.
Норма поставки, шт. 100

| Артикул | Код | Длина (L), мм | Вес, кг/шт. |
|-----------|-----------|---------------|-------------|
| СВ132-450 | 402600000 | 450 | 0,75 |
| СВ132-500 | 402600100 | 500 | 0,83 |



1.1

1.2

1.3

1.4

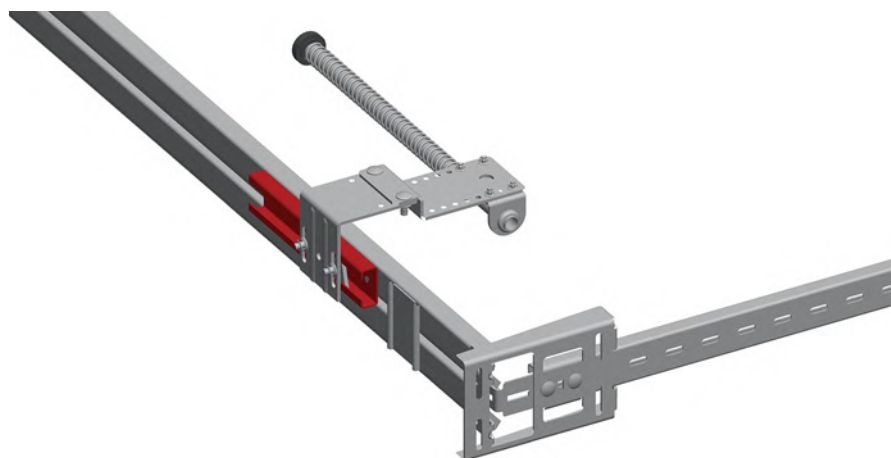
1.5

2

3

4

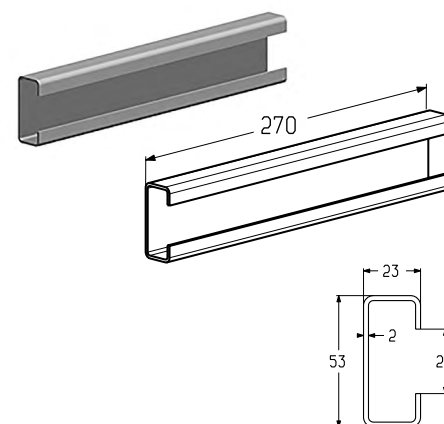
КРОНШТЕЙН



Кронштейн

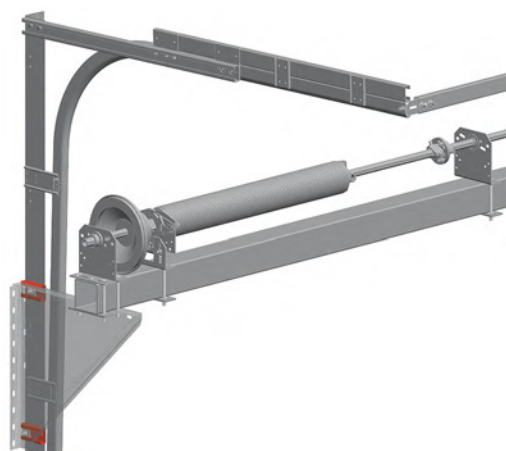
Предназначен для установки демпферов.
Используется в промышленных воротах вертикального типа монтажа с верхним и нижним расположением вала, низкого и наклонного низкого типов монтажа.

| | |
|--------------------------|--------------------|
| Длина, мм | 270 |
| Материал | оцинкованная сталь |
| Вес, кг/шт. | 0,29 |
| Единица измерения | шт. |
| Норма поставки, шт. | 50 |



| Артикул | Код |
|---------|-----------|
| V134 | 402600200 |

КРОНШТЕЙН

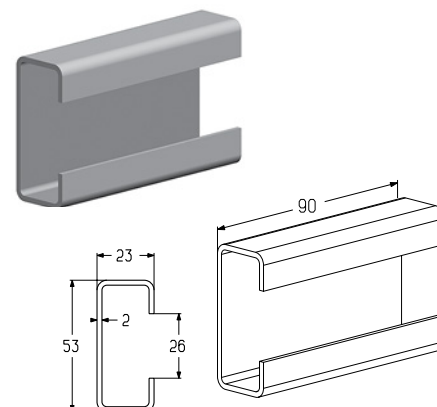
**Кронштейн**

Предназначен для установки кронштейна (ТР-550).

Используется в промышленных воротах высокого, вертикального, наклонного высокого типов монтажа с нижним расположением вала.

Материал Оцинкованная сталь
 Вес, кг/шт. 0,15
 Единица измерения шт.
 Норма поставки, шт. 150

| Артикул | Код |
|---------|-----------|
| V133 | 402600300 |



1.1

1.2

1.3

1.4

1.5

2

3

4

ПРОФИЛЬ НЕСУЩИЙ

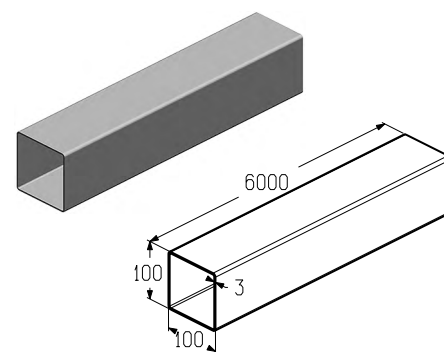


Профиль несущий

Предназначен для установки торсионного вала.

Используется в промышленных воротах высокого, вертикального, наклонного высокого типов монтажа с нижним расположением вала.

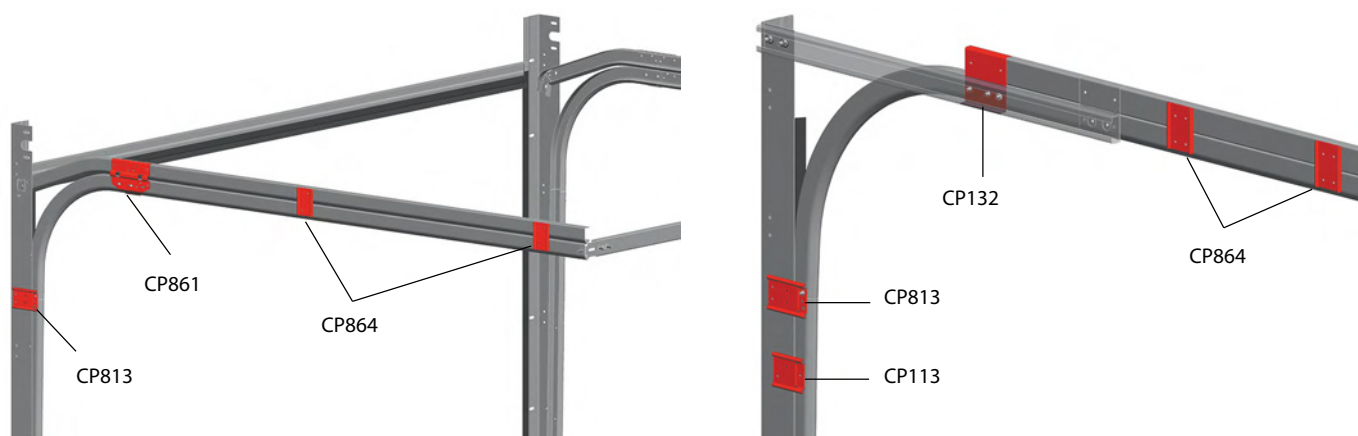
| | |
|-------------------------|--------------------|
| Длина, мм | 6000 |
| Материал | оцинкованная сталь |
| Вес, кг/м | 9 |
| Единица измерения | м |
| Норма поставки, м | 54 |



| Артикул | Код |
|------------|-----------|
| T-100-6000 | 402440000 |

КРОНШТЕЙНЫ И ПЛАСТИНЫ СОЕДИНИТЕЛЬНЫЕ

УСТАНОВКА ПЛАСТИН СОЕДИНИТЕЛЬНЫХ

**Пластина соединительная**

Предназначена для соединения профиля углового с профилем направляющим (вертикальным).

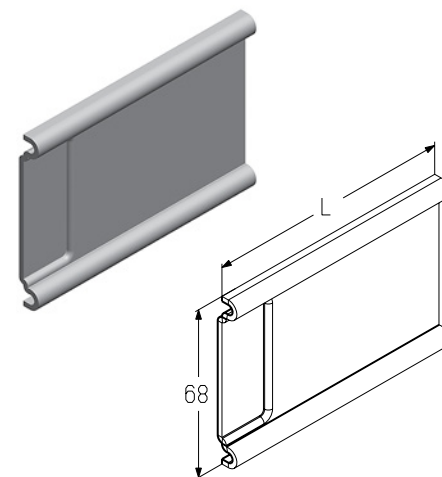
Используется:

- в гаражных воротах высокого типа монтажа;
- в промышленных воротах всех типов монтажа.

Материал оцинкованная сталь

Единица измерения шт.

| Артикул | Код | Длина (L), мм | Вес, кг/шт. | Норма поставки, шт. |
|-----------|-----------|---------------|-------------|---------------------|
| CP113-80 | 402810100 | 80 | 0,096 | 200 |
| CP113-100 | 402810200 | 100 | 0,120 | 200 |
| CP113-120 | 402810300 | 120 | 0,144 | 170 |
| CP113-130 | 402810400 | 130 | 0,156 | 120 |
| CP113-150 | 402810500 | 150 | 0,180 | 120 |
| CP113-180 | 402810600 | 180 | 0,216 | 110 |

**Пластина соединительная**

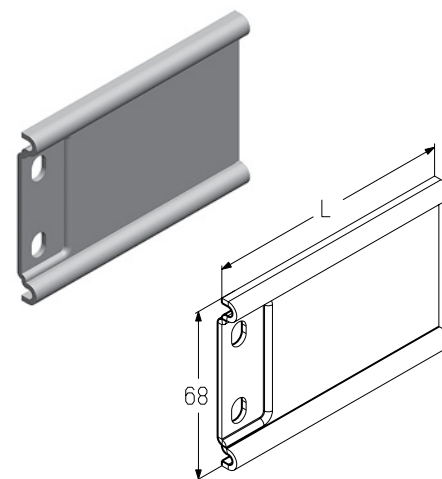
Предназначена для соединения профиля углового с профилем направляющим (вертикальным).

Используется в гаражных воротах с пружинами растяжения и торсионными пружинами, промышленных воротах всех типов монтажа.

Материал оцинкованная сталь

Единица измерения шт.

| Артикул | Код | Длина (L), мм | Вес, кг/шт. | Норма поставки, шт. |
|-----------|-----------|---------------|-------------|---------------------|
| CP813-100 | 402810700 | 100 | 0,119 | 220 |
| CP813-120 | 402810800 | 120 | 0,142 | 170 |
| CP813-150 | 402810900 | 150 | 0,176 | 120 |
| CP813-180 | 402811000 | 180 | 0,214 | 110 |



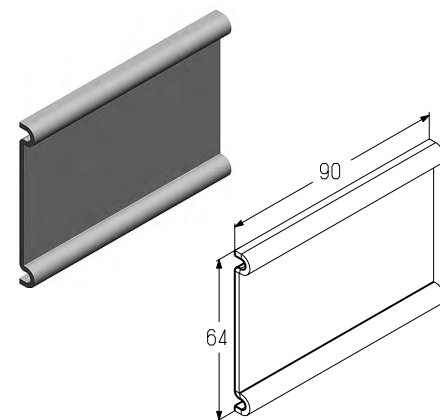
КРОНШТЕЙНЫ И ПЛАСТИНЫ СОЕДИНИТЕЛЬНЫЕ

Пластина соединительная

Предназначена для соединения горизонтальных направляющих.
Используется в гаражных воротах с пружинами растяжения и торсионными пружинами, промышленных воротах всех типов монтажа.

Материал оцинкованная сталь
Вес, кг/шт. 0,112
Единица измерения шт.
Норма поставки, шт. 170

| Артикул | Код |
|---------|-----------|
| CP864 | 402811200 |



Пластина соединительная передняя

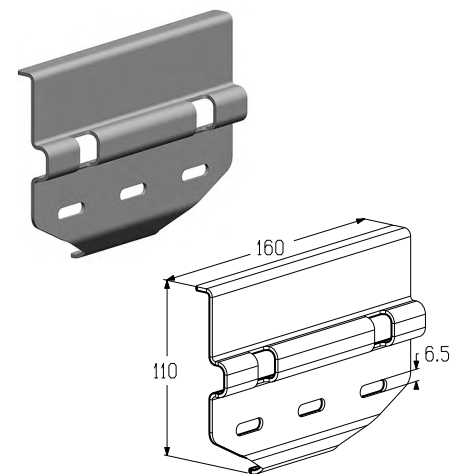
Предназначена для соединения горизонтальной направляющей с элементом радиусным и узлом направляющим передним.

Используется:

- в гаражных воротах с пружинами растяжения;
- в гаражных воротах стандартного и низкого типов монтажа;
- в промышленных воротах низкого и наклонного низкого типов монтажа.

Материал оцинкованная сталь
Единица измерения шт.
Норма поставки, шт. 80

| Артикул | Код | Толщина, мм | Вес, кг/шт. |
|---------|-----------|-------------|-------------|
| CP861 | 402811100 | 2,0 | 0,294 |
| CP861S | 402811400 | 1,2 | 0,170 |



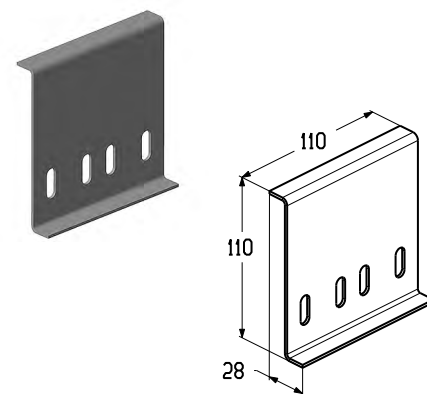
Пластина соединительная передняя

Предназначена для соединения горизонтальной направляющей с элементом радиусным и узлом направляющим передним.

Используется в промышленных воротах всех типов монтажа (кроме низких).

Материал оцинкованная сталь
Вес, кг/шт. 0,215
Единица измерения шт.
Норма поставки, шт. 100

| Артикул | Код |
|---------|-----------|
| CP-133 | 402811900 |



КРОНШТЕЙНЫ И ПЛАСТИНЫ СОЕДИНИТЕЛЬНЫЕ

УСТАНОВКА КРОНШТЕЙНА

**Кронштейн левый**
Кронштейн правый

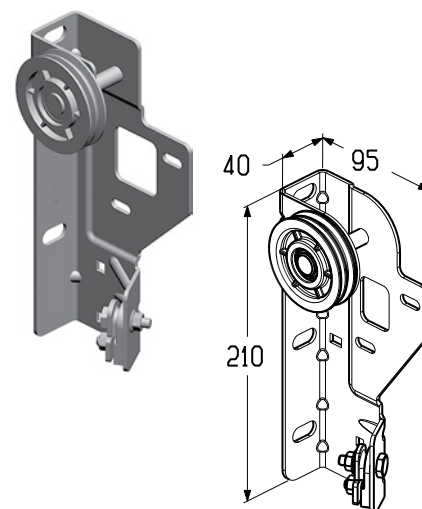
Используется в гаражных воротах с пружинами растяжения.

Предназначен для:

- крепления узла направляющего переднего;
- крепления троса.

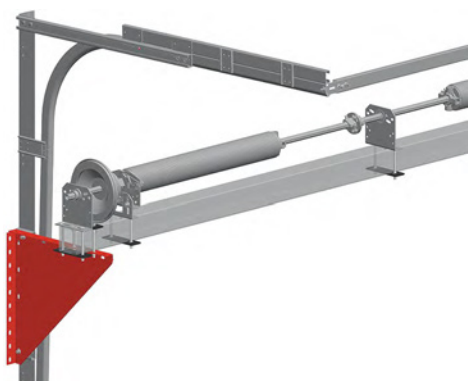
Материал оцинкованная сталь
 Вес, кг/шт. 0,540
 Единица измерения шт.
 Норма поставки, шт. 24

| Артикул | Код | Примечание |
|---------|-----------|------------|
| V180SL | 402630100 | Левый |
| V180SR | 402630200 | Правый |

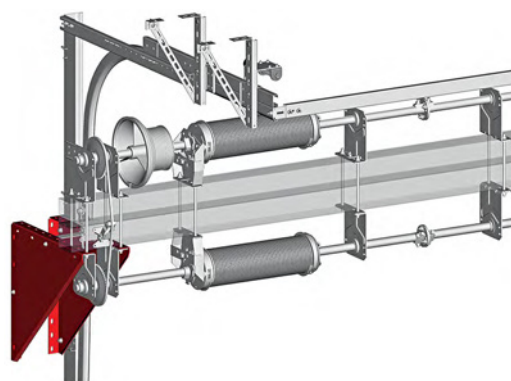


КРОНШТЕЙНЫ И ПЛАСТИНЫ СОЕДИНИТЕЛЬНЫЕ

УСТАНОВКА КРОНШТЕЙНА И ПЛАСТИНЫ



Одновальная система балансировки



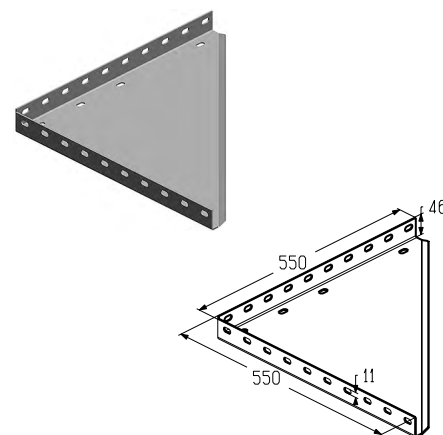
Двухвальная система балансировки

Кронштейн

Предназначен для установки профиля несущего.

Используется в промышленных воротах высокого, вертикального, наклонного высокого типов монтажа с нижним расположением вала с одновальной и двухвальной системами балансировки.

Материал оцинкованная сталь
 Вес, кг/шт. 4,818
 Единица измерения шт.
 Норма поставки, шт. 4



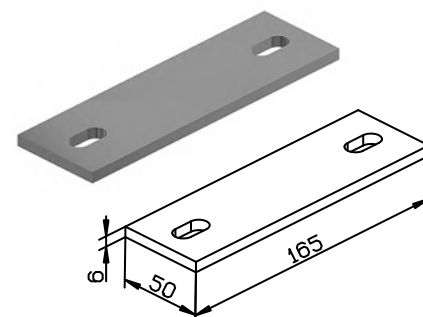
| Артикул | Код |
|---------|-----------|
| TP-550 | 402620000 |

Пластина

Предназначена для фиксации элементов торсионного вала.

Используется в промышленных воротах высокого, вертикального, наклонного высокого типов монтажа с нижним расположением вала с одновальной системой балансировки.

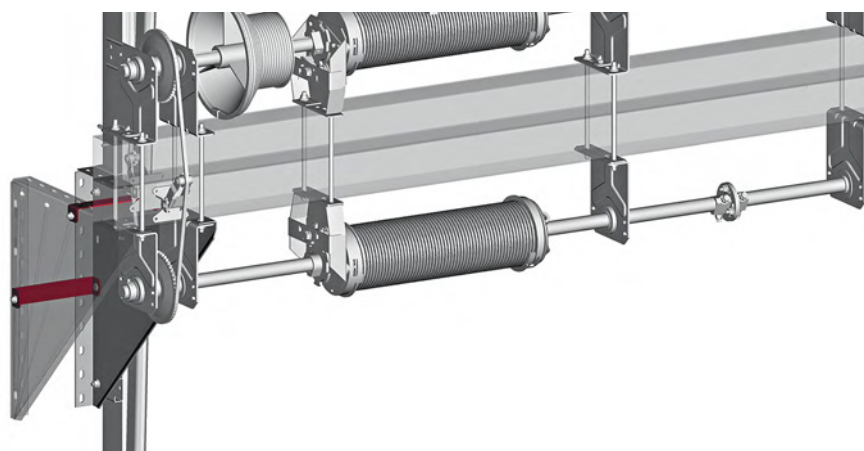
Материал оцинкованная сталь
 Вес, кг/шт. 0,355
 Единица измерения шт.
 Норма поставки, шт. 50



| Артикул | Код |
|---------|-----------|
| MS-550N | 405000042 |

КРОНШТЕЙНЫ И ПЛАСТИНЫ СОЕДИНИТЕЛЬНЫЕ

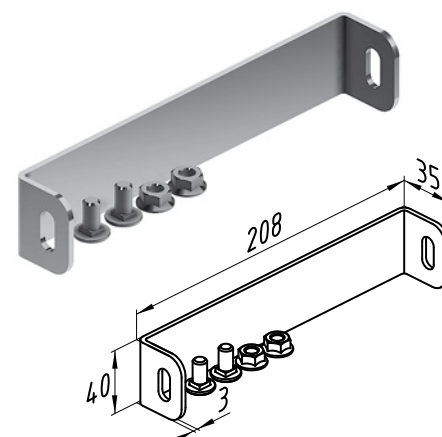
УСТАНОВКА КРОНШТЕЙНА

**Кронштейн**

Предназначена для крепления кронштейнов (TP-550) между собой.
Используется в промышленных воротах высокого, вертикального, наклонного высокого типов монтажа с нижним расположением вала с двухвальной системой балансировки.

Материал Оцинкованная сталь
Вес, кг/шт. 0,28
Единица измерения шт.
Норма поставки, шт. 72

| Артикул | Код |
|---------|-----------|
| TSS4012 | 403901900 |



1.1

1.2

1.3

1.4

1.5

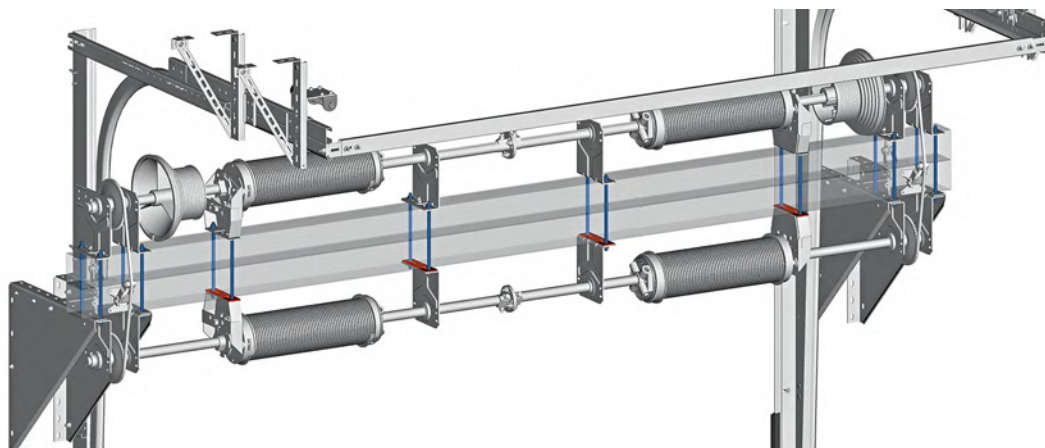
2

3

4

КРОНШТЕЙНЫ И ПЛАСТИНЫ СОЕДИНИТЕЛЬНЫЕ

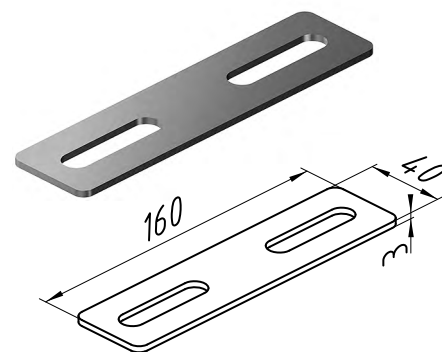
УСТАНОВКА ПЛАСТИНЫ И КОМПЛЕКТА КРЕПЕЖНОГО



Пластина

Предназначена для фиксации элементов торсионного вала.
Используется в промышленных воротах высокого, вертикального, наклонного высокого типов монтажа с нижним расположением вала с двухвальной системой балансировки.

Материал оцинкованная сталь
Вес, кг/шт. 0,125
Единица измерения шт.
Норма поставки, шт. 150

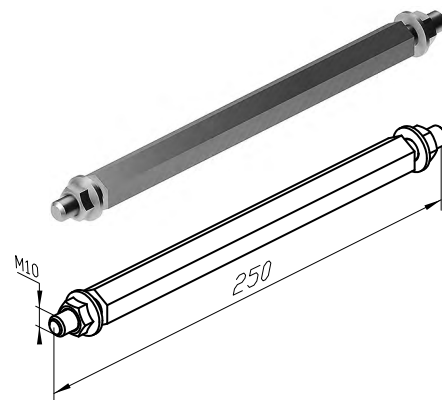


| Артикул | Код |
|---------|-----------|
| TSS4014 | 403902200 |

Комплект крепежный

Предназначена для фиксации элементов торсионного вала.
Используется в промышленных воротах высокого, вертикального, наклонного высокого типов монтажа с нижним расположением вала с двухвальной системой балансировки.

Материал оцинкованная сталь
Вес, кг/шт. 0,14
Единица измерения шт.
Норма поставки, шт. 150

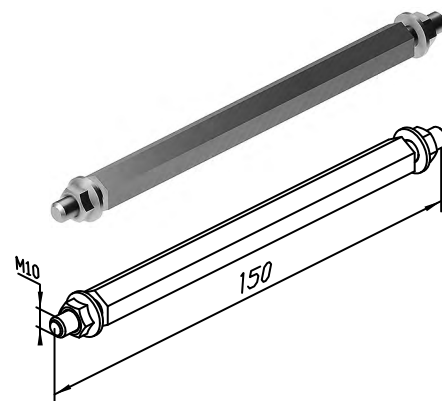


| Артикул | Код |
|---------|-----------|
| TSS4013 | 403902100 |

Комплект крепежный

Предназначена для фиксации элементов торсионного вала.
Используется в промышленных воротах высокого, вертикального, наклонного высокого типов монтажа с нижним расположением вала с одновальной системой балансировки.

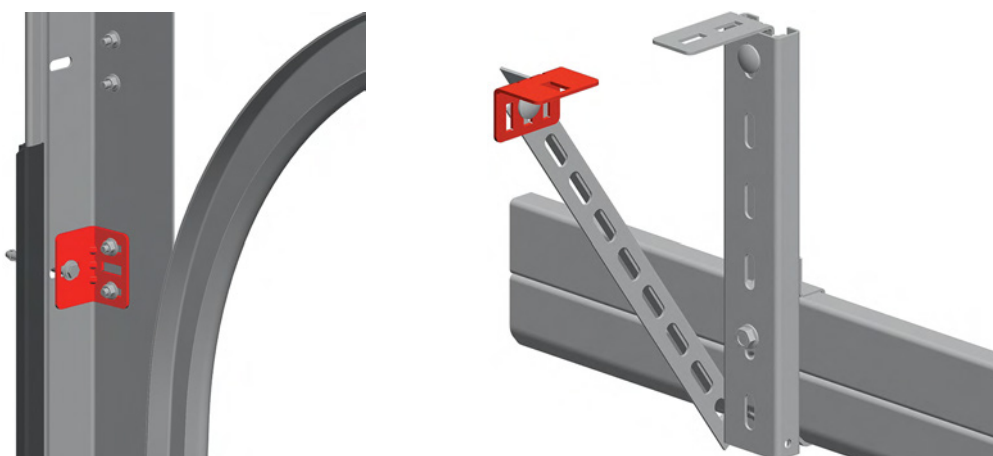
Материал оцинкованная сталь
Вес, кг/шт. 0,232
Единица измерения шт.
Норма поставки, шт. 1



| Артикул | Код |
|---------|-----------|
| OSS4013 | 419410103 |

КРОНШТЕЙНЫ И ПЛАСТИНЫ СОЕДИНИТЕЛЬНЫЕ

УСТАНОВКА КРОНШТЕЙНА

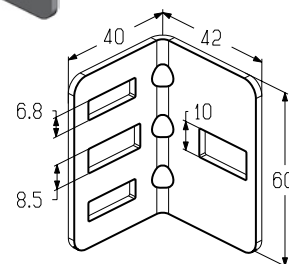
**Кронштейн**

Предназначен:

- для крепления профиля углового к стене;
- для крепления профиля монтажного (PRG09) и С-профиля (PRG06) к потолку.

Используется в гаражных воротах с пружинами растяжения и торсионными пружинами, промышленных воротах всех типов монтажа.

Материал Оцинкованная сталь
 Вес, кг/шт. 0,076
 Единица измерения шт.
 Норма поставки, шт. 280



| Артикул | Код |
|---------|-----------|
| В0300 | 402600400 |

1.1

1.2

1.3

1.4

1.5

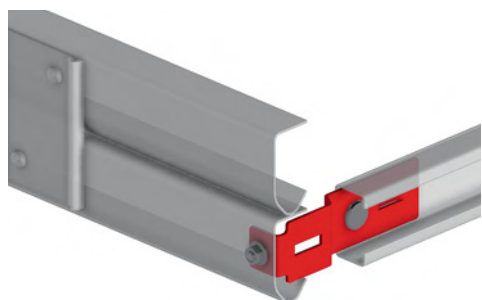
2

3

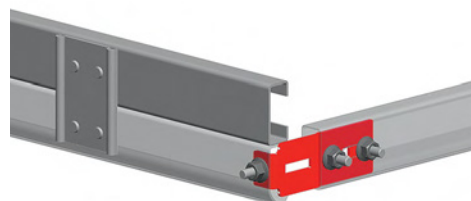
4

КРОНШТЕЙНЫ И ПЛАСТИНЫ СОЕДИНИТЕЛЬНЫЕ

УСТАНОВКА КРОНШТЕЙНА



B-3501

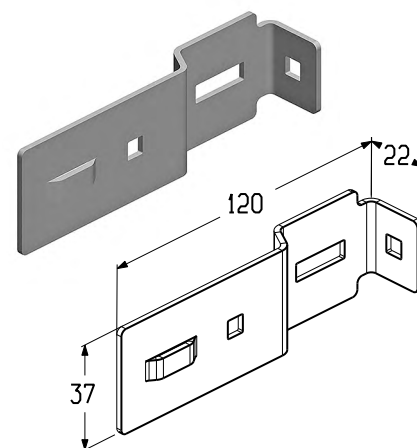


B802

Кронштейн мерной планки

Предназначен для соединения профиля направляющего (PRG-32) с С-профилем (PRG-33).
Используется в гаражных воротах с пружинами растяжения и торсионными пружинами всех типов монтажа.

Материал оцинкованная сталь
Вес, кг/шт. 0,073
Единица измерения шт.
Норма поставки, шт. 200

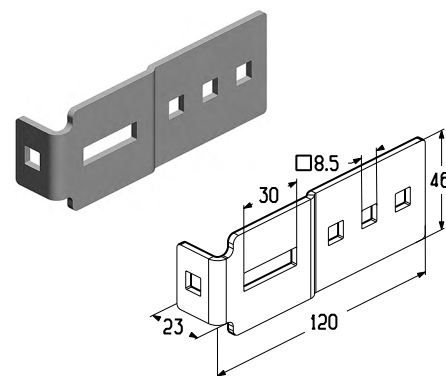


| Артикул | Код |
|---------|-----------|
| B-3501 | 402600700 |

Кронштейн мерной планки

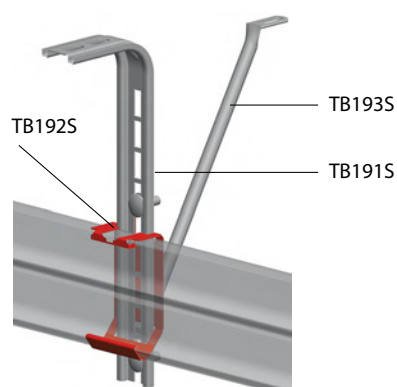
Предназначен для соединения профиля направляющего (горизонтального) с С-профилем (PRG07, PRG07N).
Используется в промышленных воротах всех типов монтажа.

Материал оцинкованная сталь
Вес, кг/шт. 0,102
Единица измерения шт.
Норма поставки, шт. 220



| Артикул | Код |
|---------|-----------|
| B802 | 402620100 |

СИСТЕМА ТЕЛЕСКОПИЧЕСКОГО ПОДВЕСА



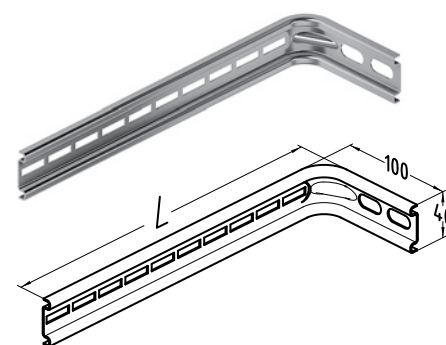
Стандартный тип монтажа

Подвес

Предназначен для изготовления системы телескопического подвеса. Используется в гаражных воротах с пружинами растяжения и торсионными пружинами стандартного и низкого типах монтажа.

Материал оцинкованная сталь
Единица измерения шт.

| Артикул | Код | Длина, мм | Вес, кг/шт. | Норма поставки, шт. |
|-------------|-----------|-----------|-------------|---------------------|
| TB191S-300 | 402811500 | 300 | 0,192 | 300 |
| TB191S-500 | 402811600 | 500 | 0,282 | 200 |
| TB191S-800 | 402811700 | 800 | 0,413 | 120 |
| TB191S-1000 | 402811800 | 1000 | 0,514 | 100 |

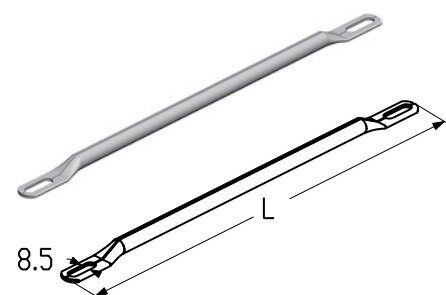


Раскос

Предназначен для изготовления системы телескопического подвеса. Используется в гаражных воротах с пружинами растяжения и торсионными пружинами стандартного и низкого типах монтажа.

Материал оцинкованная сталь
Единица измерения шт.
Норма поставки, шт. 400

| Артикул | Код | Длина, мм | Вес, кг/шт. |
|------------|-----------|-----------|-------------|
| TB193S-330 | 402910600 | 330 | 0,082 |
| TB193S-680 | 402910700 | 680 | 0,190 |
| TB193S-910 | 402910800 | 910 | 0,261 |

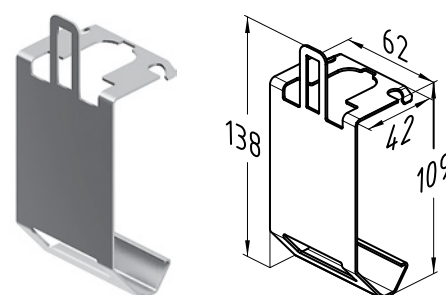


Кронштейн

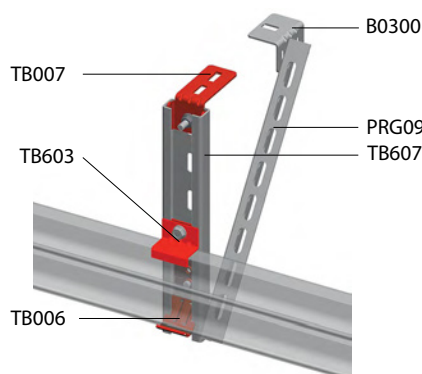
Предназначен для изготовления системы телескопического подвеса. Используется в гаражных воротах с пружинами растяжения и торсионными пружинами стандартного типа монтажа.

Материал оцинкованная сталь
Вес, кг/шт. 0,082
Единица измерения шт.
Норма поставки, шт. 400

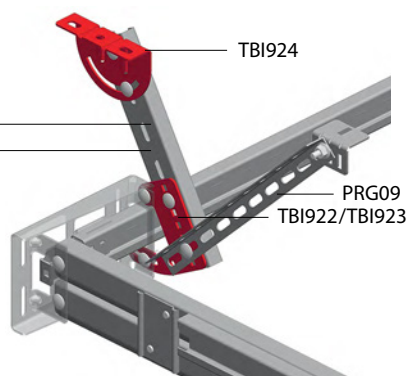
| Артикул | Код |
|---------|-----------|
| TB192S | 402610700 |



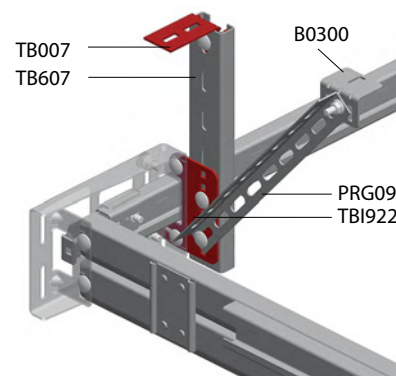
СИСТЕМА ТЕЛЕСКОПИЧЕСКОГО ПОДВЕСА



Подвес горизонтальных направляющих



Подвес мерной планки для наклонного низкого монтажа



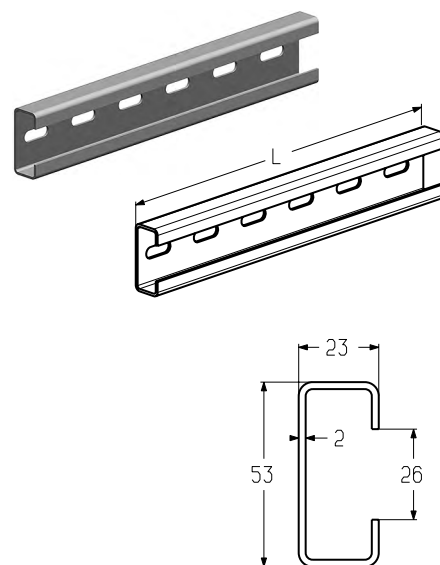
Подвес мерной планки для низкого монтажа

Кронштейн подвеса

Предназначен для изготовления системы телескопического подвеса. Используется в промышленных воротах всех типов монтажа.

Материал оцинкованная сталь
Единица измерения шт.
Норма поставки, шт. 100

| Артикул | Код | Длина (L), мм | Вес, кг/шт. |
|------------|-----------|---------------|-------------|
| TB607-300 | 402610000 | 300 | 0,48 |
| TB607-500 | 402610100 | 500 | 0,80 |
| TB607-800 | 402610200 | 800 | 1,28 |
| TB607-1000 | 402610300 | 1000 | 1,60 |
| TB607-1500 | 402610400 | 1500 | 2,40 |

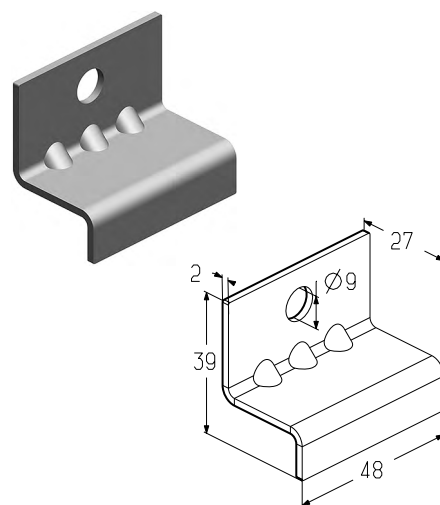


Кронштейн монтажный

Предназначен для подвеса горизонтальных направляющих. Устанавливается совместно с кронштейном (TB006). Используется в промышленных воротах низкого и наклонного низкого типов монтажа.

Материал оцинкованная сталь
Вес, кг/шт. 0,038
Единица измерения шт.
Норма поставки, шт. 500

| Артикул | Код |
|---------|-----------|
| TB603 | 402620200 |



СИСТЕМА ТЕЛЕСКОПИЧЕСКОГО ПОДВЕСА

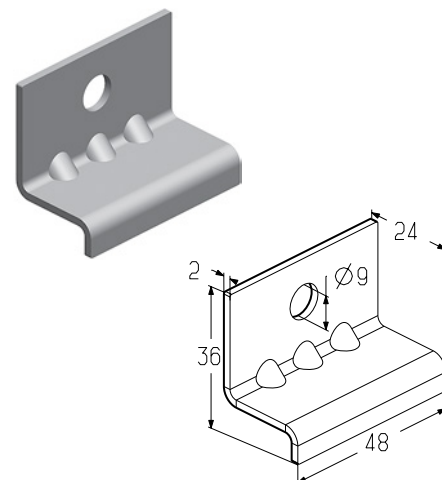
Кронштейн монтажный

Предназначен для подвеса горизонтальных направляющих.
Устанавливается совместно с кронштейном (ТВ006):

- в гаражных воротах высокого типа монтажа;
- в промышленных воротах всех типов монтажа, кроме низкого и наклонного низкого.

Материал оцинкованная сталь
Вес, кг/шт. 0,038
Единица измерения шт.
Норма поставки, шт. 500

| Артикул | Код |
|---------|-----------|
| ТВ604 | 402620300 |

**Пластина**

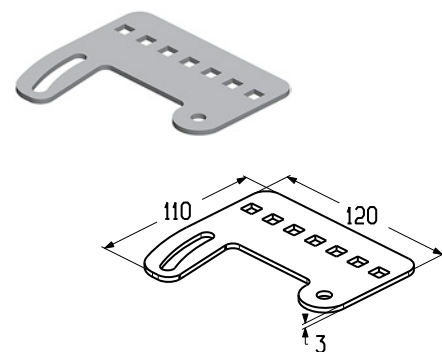
Предназначена для подвеса мерной планки.

Устанавливается совместно с кронштейном (ТВ607).

Используется в промышленных воротах низкого и наклонного низкого типов монтажа с наклоном горизонтальных направляющих до 20°.

Материал оцинкованная сталь
Вес, кг/шт. 0,18
Единица измерения шт.
Норма поставки, шт. 140

| Артикул | Код |
|---------|-----------|
| ТВ1922 | 403490300 |

**Пластина**

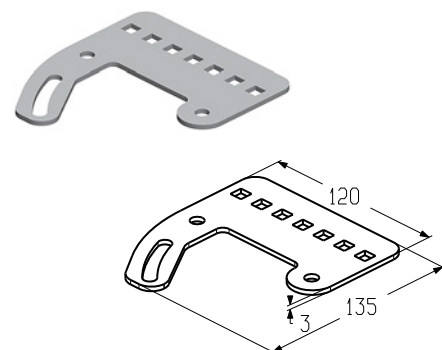
Предназначена для подвеса мерной планки.

Устанавливается совместно с кронштейном (ТВ607).

Используется в промышленных воротах наклонного низкого типа монтажа с наклоном горизонтальных направляющих 25–45°.

Материал оцинкованная сталь
Вес, кг/шт. 0,20
Единица измерения шт.
Норма поставки, шт. 45

| Артикул | Код |
|---------|-----------|
| ТВ1923 | 403490400 |



СИСТЕМА ТЕЛЕСКОПИЧЕСКОГО ПОДВЕСА

Кронштейн

Предназначен для подвеса горизонтальных направляющих.

Устанавливается совместно с кронштейном монтажным (ТВ603) в промышленных воротах низкого и наклонного низкого типов монтажа.

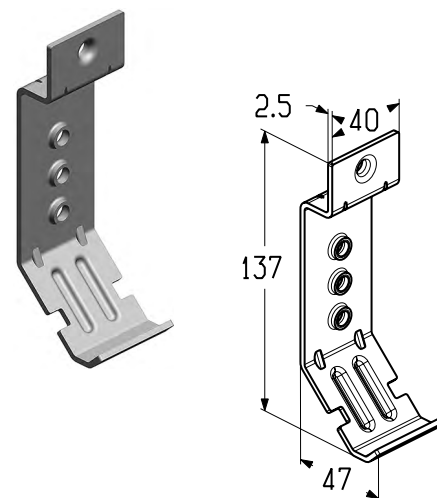
Используется для подвеса мерной планки промышленных ворот низкого типа монтажа.

Устанавливается совместно с кронштейном монтажным (ТВ604):

- в гаражных воротах высокого типа монтажа;
- в промышленных воротах всех типов монтажа кроме низкого и наклонного низкого.

Материал оцинкованная сталь
 Вес, кг/шт. 0,112
 Единица измерения шт.
 Норма поставки, шт. 300

| Артикул | Код |
|---------|-----------|
| ТВ006 | 402610500 |



Кронштейн угловой

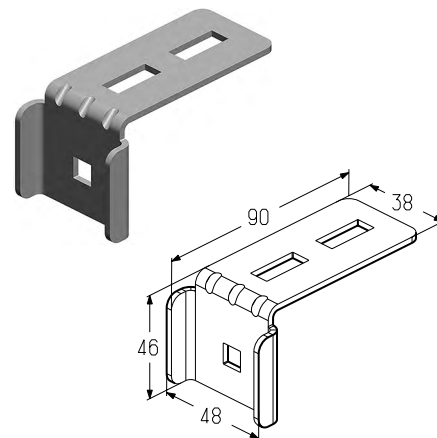
Предназначен для крепления кронштейна подвеса (ТВ607) к потолку.

Используется для подвеса горизонтальных направляющих:

- в гаражных воротах высокого типа монтажа;
- промышленных воротах всех типов монтажа.

Материал оцинкованная сталь
 Вес, кг/шт. 0,115
 Единица измерения шт.
 Норма поставки, шт. 200

| Артикул | Код |
|---------|-----------|
| ТВ007 | 402630000 |



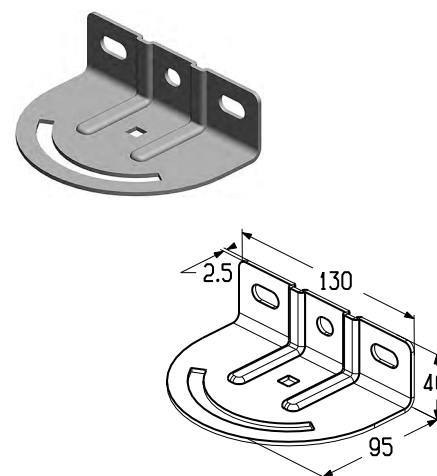
Кронштейн

Предназначен для крепления кронштейна подвеса (ТВ607) к потолку.

Используется для подвеса мерной планки промышленных ворот наклонного низкого типа монтажа.

Материал оцинкованная сталь
 Вес, кг/шт. 0,28
 Единица измерения шт.
 Норма поставки, шт. 45

| Артикул | Код |
|---------|-----------|
| ТВ1924 | 403490500 |



СИСТЕМА ТЕЛЕСКОПИЧЕСКОГО ПОДВЕСА

Профиль монтажный

Предназначен для усиления телескопического подвеса.

Устанавливается совместно с кронштейном подвеса (ТВ607-300, ТВ607-500, ТВ607-800), ТВ607-1000.

Используется:

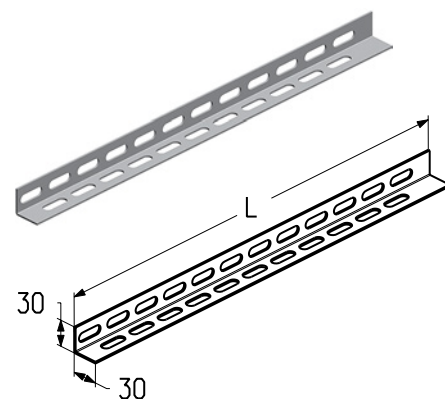
- в гаражных воротах высокого типа монтажа;
- промышленных воротах всех типов монтажа.

Материал оцинкованная сталь

Вес, кг/м 0,614

Единица измерения м

| Артикул | Код | Длина (L), мм | Норма поставки, м | Норма поставки, шт. |
|---------|-----------|---------------|-------------------|---------------------|
| PRG09 | 402410400 | 1160 | 92,8 | 80 |
| | | 1480 | 118,4 | 80 |
| | | 1800 | 144,0 | 80 |
| | | 3000 | 240,0 | 80 |



С-профиль

Перфорированный, предназначен для усиления телескопического подвеса.

Устанавливается совместно с кронштейном подвеса (ТВ607-1500).

Используется:

- в гаражных воротах высокого типа монтажа;
- промышленных воротах всех типов монтажа.

Длина, мм 2150

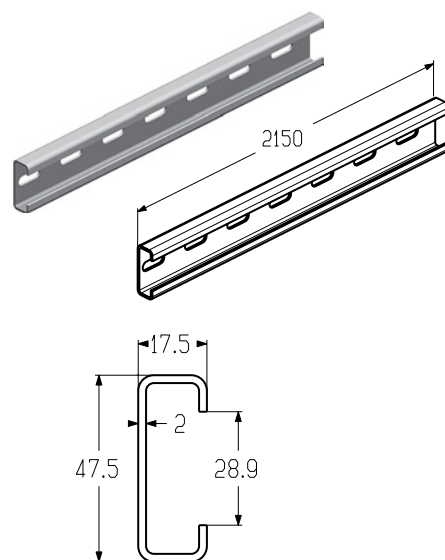
Материал оцинкованная сталь

Вес, кг/м 1,38

Единица измерения м

Норма поставки, м 107,5

| Артикул | Код |
|---------|-----------|
| PRG06 | 402421700 |



1.1

1.2

1.3

1.4

1.5

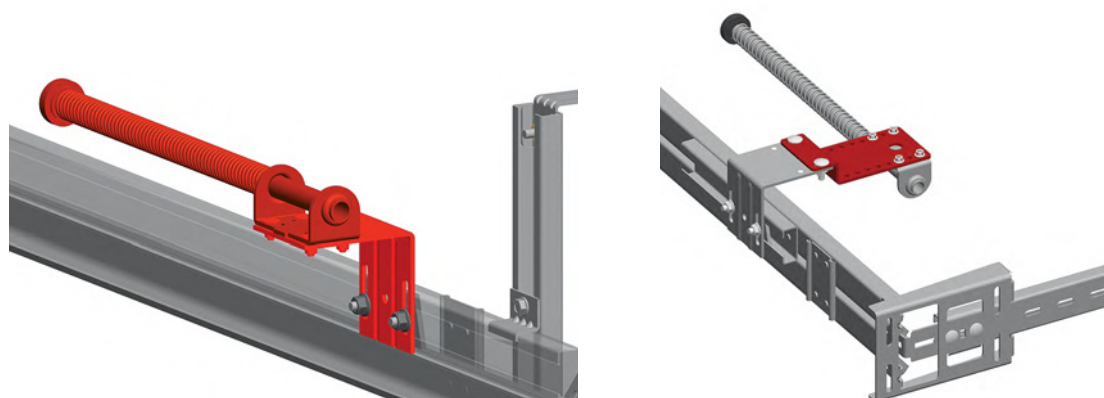
2

3

4

ОГРАНИЧИТЕЛИ ХОДА ПОЛОТНА

УСТАНОВКА ДЕМПФЕРА



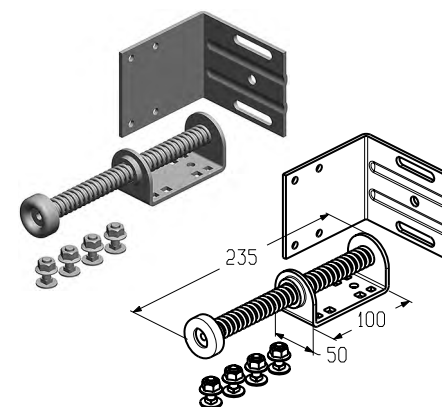
Демпфер

Предназначен для ограничения перемещения полотна промышленных ворот.

Используется в промышленных воротах:

- без электропривода (цепного редуктора) стандартного, низкого и наклонного низкого типов монтажа;
- с навальным электроприводом (цепным редуктором) наклонного низкого типа монтажа;
- высокого, вертикального, наклонного высокого типов монтажа с верхним и нижним расположением вала; наклонного типа монтажа (для всех типов управления ворот);

| | |
|--------------------------|--------------------|
| Длина, мм | 235 |
| Материал | оцинкованная сталь |
| Вес, кг/шт. | 1,15 |
| Единица измерения | шт. |
| Норма поставки, шт. | 60 |



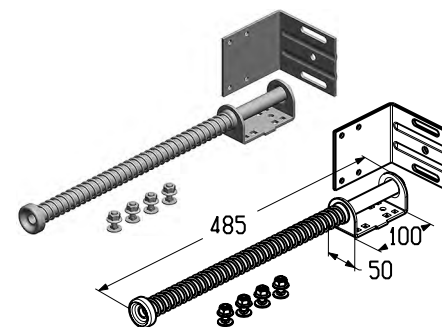
| Артикул | Код |
|---------|-----------|
| SB-235 | 402910000 |

Демпфер

Предназначен для ограничения перемещения полотна промышленных ворот.

Используется в промышленных воротах с навальным электроприводом и цепным редуктором стандартного и низкого типов монтажа.

| | |
|--------------------------|--------------------|
| Длина, мм | 485 |
| Материал | оцинкованная сталь |
| Вес, кг/шт. | 1,5 |
| Единица измерения | шт. |
| Норма поставки, шт. | 30 |



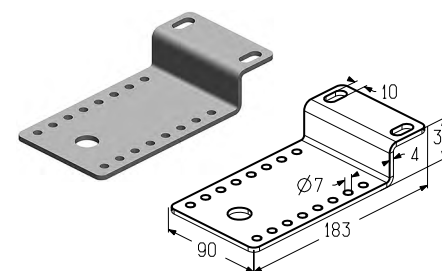
| Артикул | Код |
|---------|-----------|
| SB-485 | 402910100 |

Кронштейн для демпфера

Предназначен для установки демпфера (SB-235, SB-485).

Используется в промышленных воротах низкого и наклонного низкого типов монтажа.

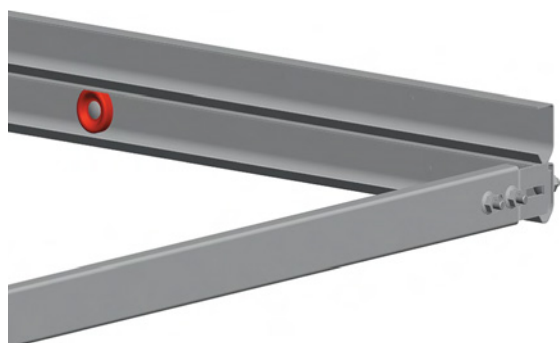
| | |
|--------------------------|--------------------|
| Материал | оцинкованная сталь |
| Вес, кг/шт. | 0,554 |
| Единица измерения | шт. |
| Норма поставки, шт. | 40 |



| Артикул | Код |
|---------|-----------|
| BSB0302 | 402600500 |

ОГРАНИЧИТЕЛИ ХОДА ПОЛОТНА

УСТАНОВКА ОГРАНИЧИТЕЛЯ И ФИКСАТОРА



Установка ограничителя



Установка фиксатора

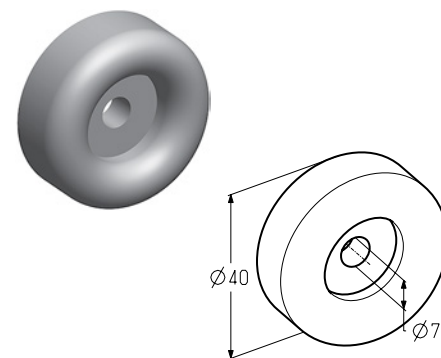
Ограничитель

Предназначен для ограничения перемещения полотна гаражных и промышленных ворот.

Используется:

- в гаражных воротах с пружинами растяжения с автоматическим управлением;
- в гаражных воротах низкого и стандартного типов монтажа с автоматическим управлением;
- в гаражных воротах высокого типа монтажа с автоматическим и ручным управлением;
- в промышленных воротах низкого и наклонного низкого типов монтажа с ручным управлением или с реечным электроприводом.

| | |
|--------------------------|------|
| Материал | TPE |
| Вес, кг/шт. | 0,03 |
| Единица измерения | шт. |
| Норма поставки, шт. | 200 |



1.1

1.2

1.3

1.4

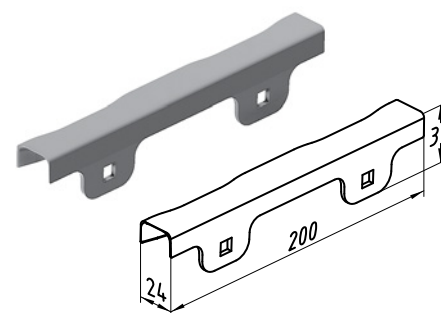
| Артикул | Код |
|---------|-----------|
| RS0301 | 402910200 |

Фиксатор

Предназначен для ограничения перемещения полотна гаражных ворот.

Используется в гаражных воротах с пружинами растяжения и торсионными пружинами низкого и стандартного типов монтажа с ручным управлением.

| | |
|--------------------------|-------|
| Материал | PA |
| Вес, кг/шт. | 0,154 |
| Единица измерения | шт. |
| Норма поставки, шт. | 128 |



1.5

2

3

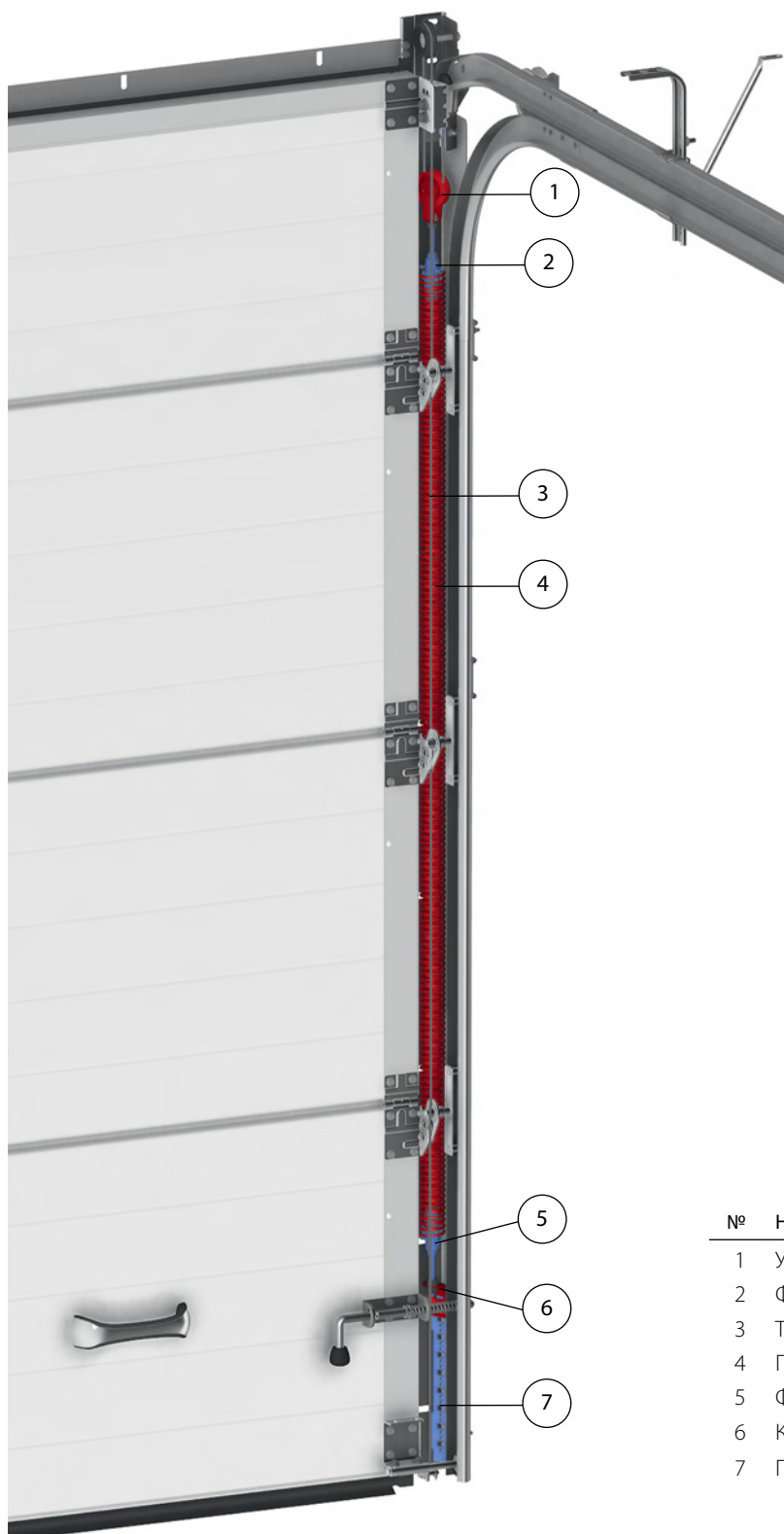
4

1.5

Система балансировки

ГАРАЖНЫЕ ВОРОТА СЕРИИ PRESTIGE

ПРУЖИНЫ РАСТЯЖЕНИЯ



№ Наименование

- | | |
|---|-----------------------|
| 1 | Узел верхний (US230S) |
| 2 | Фиксатор (SH220S) |
| 3 | Трос |
| 4 | Пружина |
| 5 | Фиксатор (SH220S) |
| 6 | Кронштейн (SB212S) |
| 7 | Пластина (SP203S) |

1.1

1.2

1.3

1.4

1.5

2

3

4

УСТАНОВКА УЗЛА ВЕРХНЕГО И ПЛАСТИНЫ



Узел верхний



Пластина

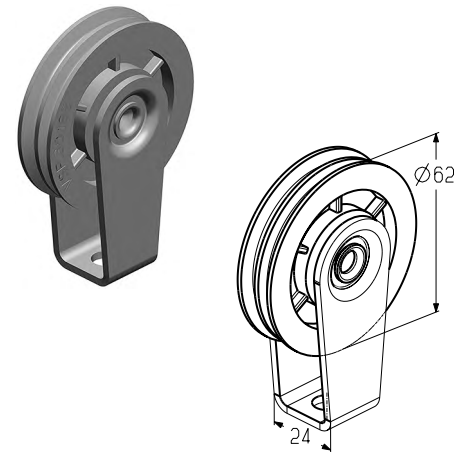
Узел верхний

Предназначен для

- установки троса;
- крепления фиксатора (SH220S).

Используется в гаражных воротах с пружинами растяжения.

Материал Оцинкованная сталь
 Вес, кг/шт. 0,135
 Единица измерения шт.
 Норма поставки, шт. 100



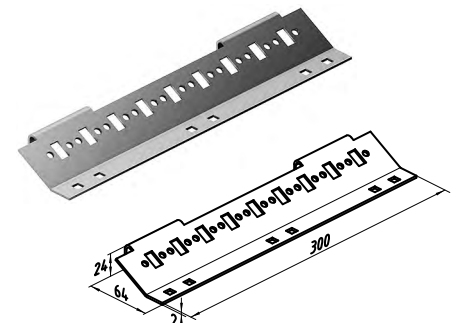
| Артикул | Код |
|---------|-----------|
| US230S | 402300400 |

Пластина

Предназначена для регулировки натяжения пружин совместно с кронштейном (SB212S).

Используется в гаражных воротах с пружинами растяжения.

Материал Оцинкованная сталь
 Вес, кг/шт. 0,29
 Единица измерения шт.
 Норма поставки, шт. 50

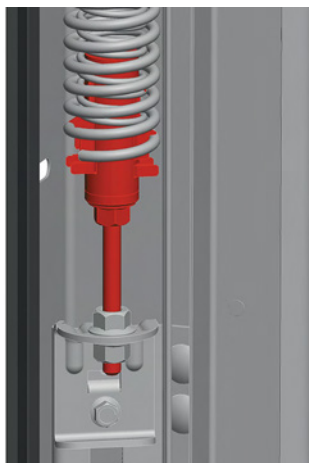


| Артикул | Код |
|---------|-----------|
| SP203S | 402911000 |

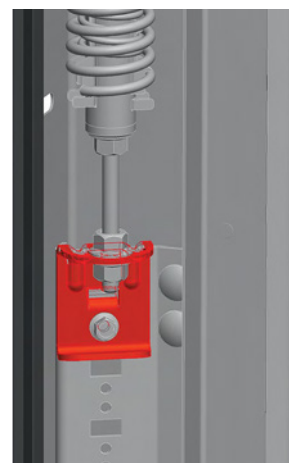
УСТАНОВКА ФИКСАТОРА И КРОНШТЕЙНА



Фиксатор SH221S



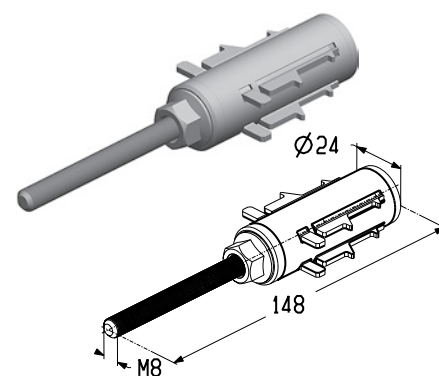
Кронштейн SB212S

**Фиксатор**

Предназначен для крепления пружин.
Используется в гаражных воротах с пружинами растяжения.

Материал оцинкованная сталь
Вес, кг/шт. 0,210
Единица измерения шт.
Норма поставки, шт. 80

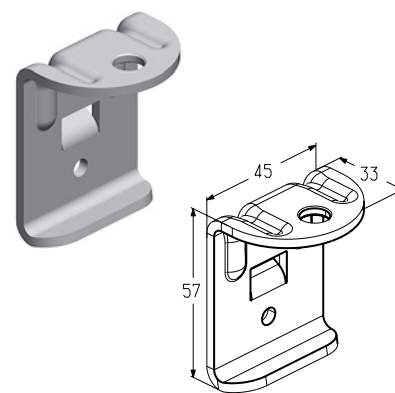
| Артикул | Код |
|---------|-----------|
| SH221S | 402911100 |

**Кронштейн**

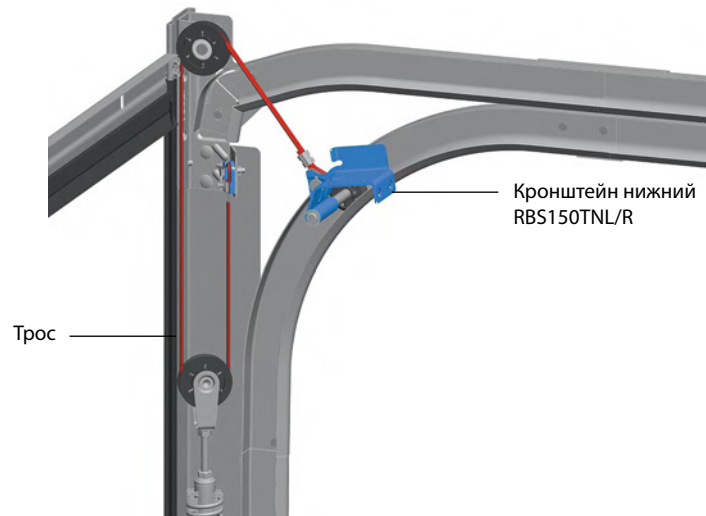
Предназначен для регулировки натяжения пружин совместно с пластиной (SP202S).
Используется в гаражных воротах с пружинами растяжения.

Материал оцинкованная сталь
Вес, кг/шт. 0,930
Единица измерения шт.
Норма поставки, шт. 200

| Артикул | Код |
|---------|-----------|
| SB212S | 402600600 |



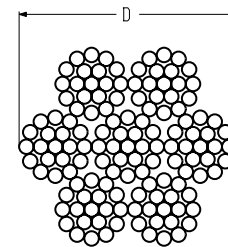
УСТАНОВКА ТРОСА



Трос

Предназначен для подъема полотна ворот.

| | |
|-------------------|--------------------|
| Диаметр, мм | 3 |
| Материал | оцинкованная сталь |
| Вес, кг/м | 0,032 |
| Единица измерения | м |
| Норма поставки, м | 250 |

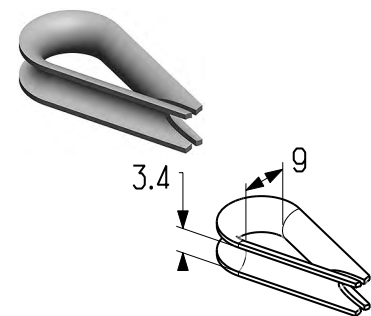


| Артикул | Код |
|----------|-----------|
| CR-3-250 | 403930000 |

Коуш

Предназначен для заделки троса.

| | |
|---------------------|--------------------|
| Материал | оцинкованная сталь |
| Вес, кг/шт. | 0,002 |
| Единица измерения | шт. |
| Норма поставки, шт. | 1000 |

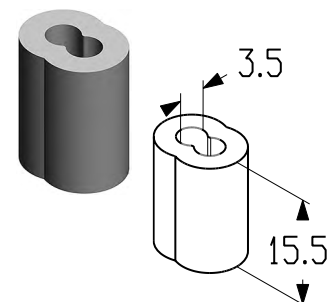


| Артикул | Код |
|---------|-----------|
| CRT-3 | 403950000 |

Зажим

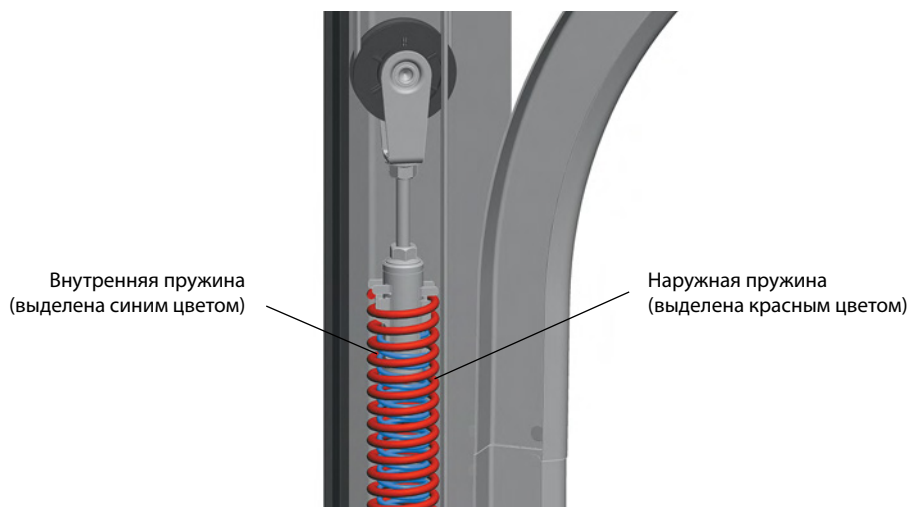
Предназначен для заделки троса.

| | |
|---------------------|----------|
| Материал | алюминий |
| Вес, кг/шт. | 0,003 |
| Единица измерения | шт. |
| Норма поставки, шт. | 1000 |



| Артикул | Код |
|---------|-----------|
| CRS2-3 | 403940000 |

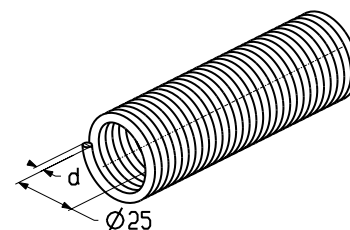
УСТАНОВКА ТРОСА



Пружина (внутренняя)

Предназначена для балансировки полотна ворот.
Используется в гаражных воротах с пружинами растяжения.

Внутренний диаметр, мм 25
Материал оцинкованная сталь
Единица измерения м

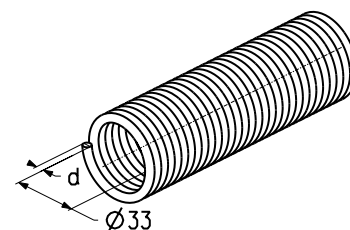


| Артикул | Код | d, мм | Вес, кг/м | Цвет торца пружины* | Норма поставки, шт. | Норма поставки, м |
|---------------------|-----------|-------|-----------|---------------------|---------------------|-------------------|
| TN32 × 25YL × 1120R | 403322000 | 3,2 | 1,70 | RAL 1026 | 10 | 11,20 |
| TN32 × 25YL × 1250R | 403322600 | 3,2 | 1,74 | RAL 1026 | | 12,50 |
| TN28 × 25BR × 1250R | 411800303 | 2,8 | 1,51 | RAL 8003 | | 12,50 |
| TN34 × 25RD × 1550R | 411800304 | 3,4 | 1,87 | RAL 3000 | | 15,50 |
| TN30 × 25WH × 1500R | 403322500 | 3,0 | 1,62 | RAL 9003 | | 15,00 |
| TN26 × 25VT × 2500R | 411800302 | 2,6 | 1,39 | RAL 4006 | | 13,75 |

Пружина (наружная)

Предназначена для балансировки полотна ворот.
Используется в гаражных воротах с пружинами растяжения.

Внутренний диаметр, мм 33
Материал оцинкованная сталь
Единица измерения м



| Артикул | Код | d, мм | Вес, кг/м | Цвет торца пружины* | Норма поставки, шт. | Норма поставки, м |
|-----------------|-----------|-------|-----------|---------------------|---------------------|-------------------|
| TN36×33OR×850R | 403331400 | 3,6 | 2,50 | RAL 2000 | 10 | 8,50 |
| TN38×33PN×900R | 411800305 | 3,8 | 2,71 | RAL 3014 | | 9,00 |
| TN32×33GR×1050R | 403331700 | 3,2 | 2,22 | RAL 7000 | | 10,50 |
| TN34×33BL×1100R | 403332900 | 3,4 | 2,63 | RAL 5005 | | 11,00 |
| TN36×33OR×1100R | 403332200 | 3,6 | 2,54 | RAL 2000 | | 11,00 |
| TN42×33BK×1170R | 411800306 | 4,2 | 3,03 | RAL 9005 | | 11,70 |
| TN40×33GN×1250R | 403333200 | 4,0 | 2,80 | RAL 6018 | | 12,50 |
| TN42×33BK×1350R | 403333100 | 4,2 | 3,61 | RAL 9005 | | 13,50 |
| TN45×33VT×1510R | 403332300 | 4,5 | 3,23 | RAL 4006 | | 15,10 |
| TN30×33WH×2000R | 403332600 | 3,0 | 2,08 | RAL 9003 | | 20,00 |
| TN26×33RD×2000R | 403332400 | 2,6 | 1,78 | RAL 3000 | | 20,00 |
| TN28×33BR×2000R | 403332500 | 2,8 | 1,93 | RAL 8003 | | 20,00 |

* Указанные цвета имеют близкое соответствие шкале RAL.

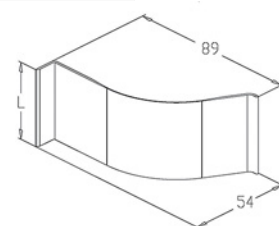
УСТАНОВКА КОЖУХА



Кожух защитный

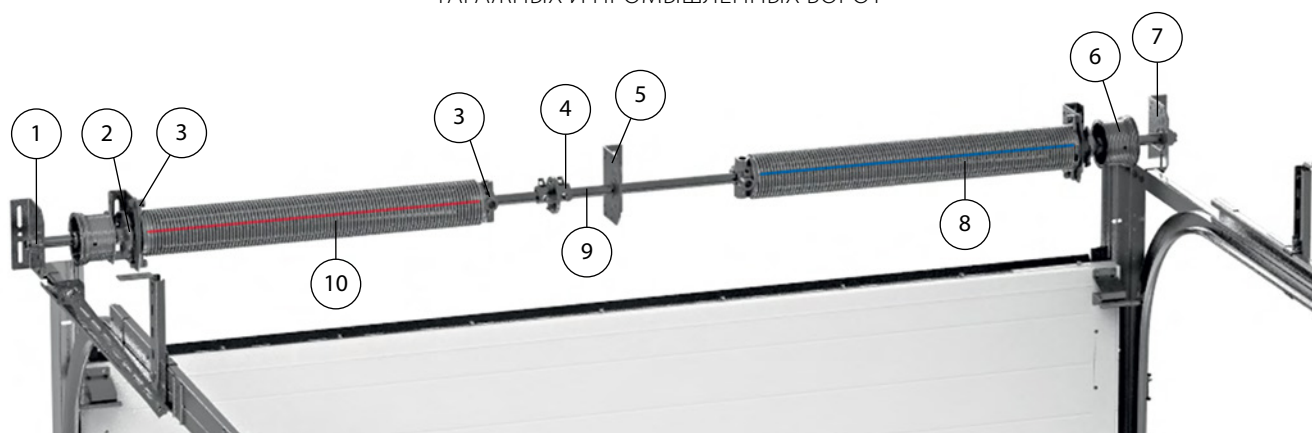
Предназначен для защиты от защемления пальцев.
Устанавливается совместно с пружинным механизмом.
Используется в гаражных воротах с пружинами растяжения.

| | |
|-------------------------|-------|
| Материал | RPVC |
| Длина, м | 2,5 |
| Вес, кг/м | 0,142 |
| Единица измерения | м |
| Норма поставки, м | 25 |

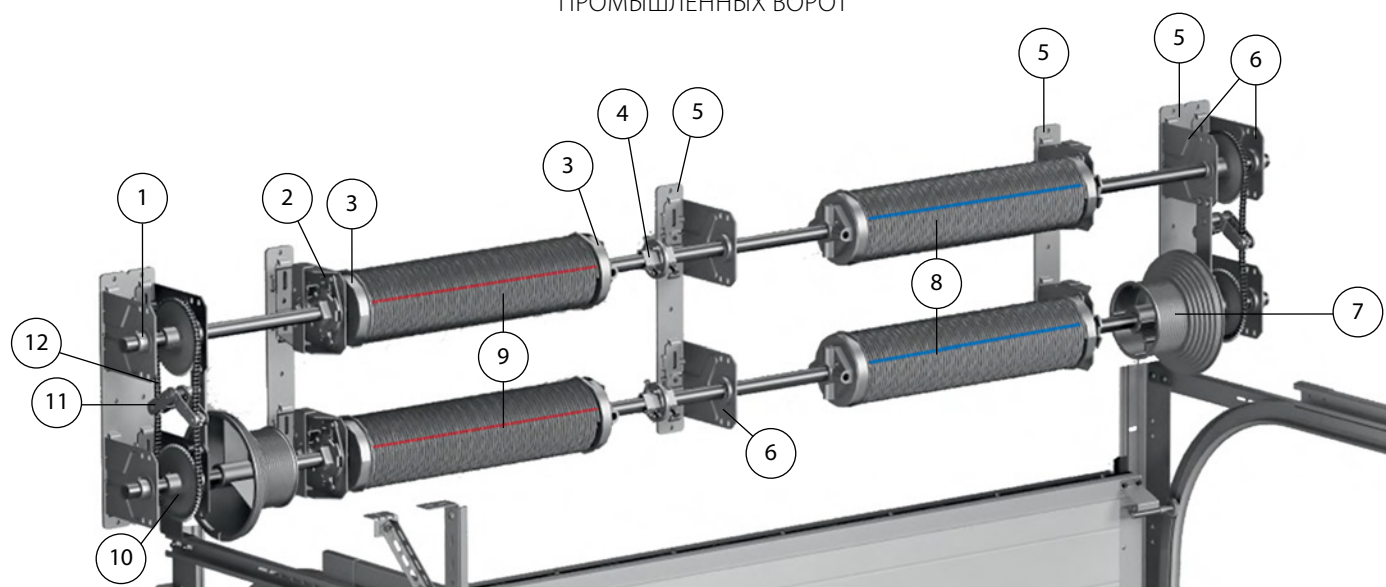


| Артикул | Код |
|---------|-----------|
| РС-4016 | 402911800 |

ТИПОВАЯ КОНСТРУКЦИЯ ТОРСИОННОГО ВАЛА В СБОРЕ

ОДНОВАЛЬНАЯ СИСТЕМА БАЛАНСИРОВКИ ПОЛОТНА
ГАРАЖНЫХ И ПРОМЫШЛЕННЫХ ВОРОТ

| № | Наименование | № | Наименование |
|---|----------------------------------|----|---------------------------|
| 1 | Кольцо стопорное | 6 | Барабан |
| 2 | Муфта храповая предохранительная | 7 | Кронштейн боковой |
| 3 | Наконечники пружинные | 8 | Пружина с правой навивкой |
| 4 | Муфта соединительная | 9 | Вал |
| 5 | Кронштейн промежуточный | 10 | Пружина с левой навивкой |

ДУХВАЛЬНАЯ СИСТЕМА БАЛАНСИРОВКИ ПОЛОТНА
ПРОМЫШЛЕННЫХ ВОРОТ

| № | Наименование | № | Наименование |
|---|----------------------------------|----|---------------------------|
| 1 | Кольцо стопорное | 7 | Барабан |
| 2 | Муфта храповая предохранительная | 8 | Пружина с правой навивкой |
| 3 | Наконечники пружинные | 9 | Пружина с левой навивкой |
| 4 | Муфта соединительная | 10 | Звездочка |
| 5 | Пластина монтажная | 11 | Натяжитель цепи |
| 6 | Кронштейн промежуточный | 12 | Цепь |

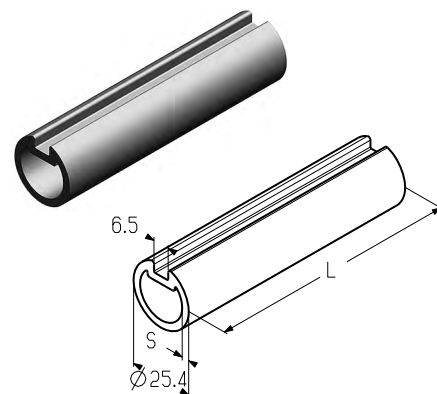
ВАЛ

Вал

Применяется при массе полотна ворот менее 160 кг.
Используется для гаражных и промышленных ворот всех типов монтажа с одновальным системой балансировки.

| | |
|------------------------|--------------------|
| Диаметр вала, мм | 25,4 |
| Материал | оцинкованная сталь |
| Вес, кг/м | 3,8 |
| Толщина стенки (S), мм | 2 |
| Единица измерения | м |

| Артикул | Код | Длина, мм | Вес, кг/м | Норма поставки, м | Норма поставки, шт. |
|------------|-----------|-----------|-----------|-------------------|---------------------|
| TSH-2750-2 | 403220600 | 2750 | 1,7 | 137,5 | 50 |
| TSH-3000-2 | 403220900 | 3000 | 1,2 | 150,0 | 50 |
| TSH-4500-2 | 403221000 | 4500 | 1,2 | 225,0 | 50 |
| TSH-5500-2 | 403221100 | 5500 | 1,2 | 275,0 | 50 |
| TSH-6000-2 | 403220700 | 6000 | 1,2 | 300,0 | 50 |

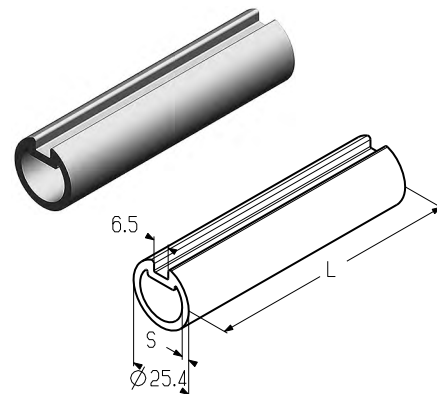


Вал

Применяется при массе полотна ворот от 160 до 230 кг. Используется для гаражных и промышленных ворот всех типов монтажа с торсионными пружинами.

| | |
|------------------------|--------------------|
| Диаметр вала, мм | 25,4 |
| Материал | оцинкованная сталь |
| Вес, кг/м | 3 |
| Толщина стенки (S), мм | 3 |
| Единица измерения | м |

| Артикул | Код | Длина, мм | Норма поставки, м | Норма поставки, шт. |
|----------|-----------|-----------|-------------------|---------------------|
| TSH-4500 | 403220100 | 4500 | 225,0 | 50 |
| TSH-5500 | 403220200 | 5500 | 275,0 | |

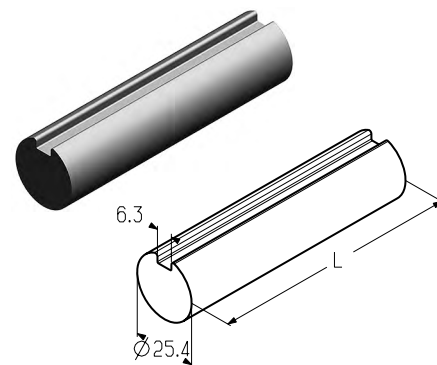


Вал

Применяется при массе полотна от 200 до 350 кг, кроме высокого, вертикального, наклонного высокого с нижним расположением вала типа монтажа от 230 до 300 кг.
Используется для гаражных и промышленных ворот всех типов монтажа с одновальным системой балансировки.

| | |
|-------------------|--------------------|
| Диаметр вала, мм | 25,4 |
| Материал | оцинкованная сталь |
| Вес, кг/м | 3,80 |
| Единица измерения | м |

| Артикул | Код | Длина, мм | Норма поставки, м | Норма поставки, шт. |
|----------|-----------|-----------|-------------------|---------------------|
| TSS-4500 | 403220500 | 4500 | 112,5 | 25 |
| TSS-5000 | 403220300 | 5000 | 125,0 | 25 |

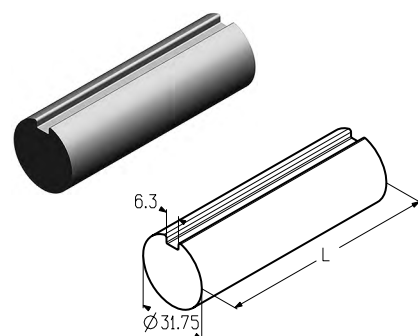


Вал

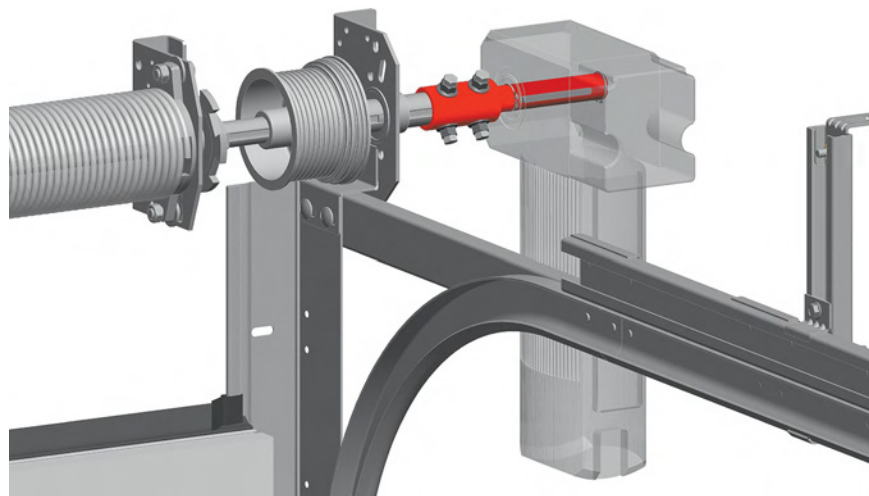
Применяется при массе полотна свыше 350 кг, кроме высокого, вертикального, наклонно высокого с нижним расположением вала типа монтажа свыше 300 кг.
Используется для промышленных ворот всех типов монтажа с одновальным и двухвальным системами балансировки.

| | |
|-------------------|--------------------|
| Диаметр вала, мм | 31,75 |
| Материал | оцинкованная сталь |
| Вес, кг/м | 6,02 |
| Единица измерения | м |

| Артикул | Код | Длина, мм | Норма поставки, м | Норма поставки, шт. |
|--------------|-----------|-----------|-------------------|---------------------|
| TSS-5/4-3800 | 403230400 | 3800 | 95,0 | 25 |
| TSS-5/4-5800 | 403230100 | 5800 | 145,0 | 25 |
| TSS-5/4-6000 | 403230200 | 6000 | 150,0 | 25 |



УСТАНОВКА АДАПТЕРА ВАЛА

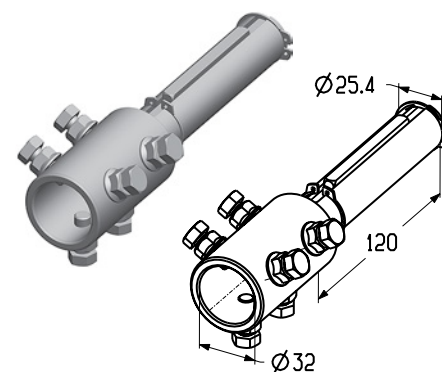
**Адаптер**

Предназначен для установки навальных электроприводов и цепного редуктора на вал диаметром 31,75 мм.

Используется в промышленных воротах всех типов монтажа с одновальной и двухвальной системами балансировки.

Материал оцинкованная сталь
 Вес, кг/шт. 0,944
 Единица измерения шт.
 Норма поставки, шт. 10

| Артикул | Код |
|---------|-----------|
| SA-5/4 | 403720000 |

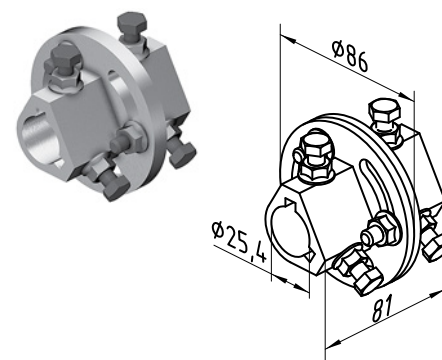
**Муфта соединительная AC-1**

Предназначена для сборки торсионного вала с одновальной системой балансировки.

Используется в гаражных воротах с торсионными пружинами и промышленных воротах всех типов монтажа.

Материал оцинкованная сталь
 Единица измерения шт.

| Артикул | Код | Диаметр вала, мм | Вес, кг/шт. | Норма поставки, шт. |
|---------|-----------|------------------|-------------|---------------------|
| AC-1 | 403710000 | 25,4 | 0,73 | 100 |

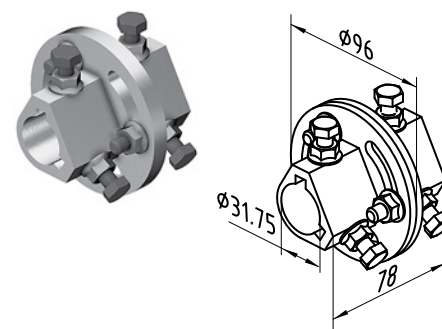
**Муфта соединительная AC-5/4**

Предназначена для сборки торсионного вала с одновальной и двухвальной системой балансировки.

Используется в промышленных воротах всех типов монтажа.

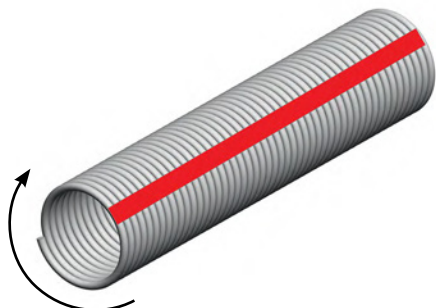
Материал оцинкованная сталь
 Единица измерения шт.

| Артикул | Код | Диаметр вала, мм | Вес, кг/шт. | Норма поставки, шт. |
|---------|-----------|------------------|-------------|---------------------|
| AC-5/4 | 403710100 | 31,75 | 0,70 | 14 |

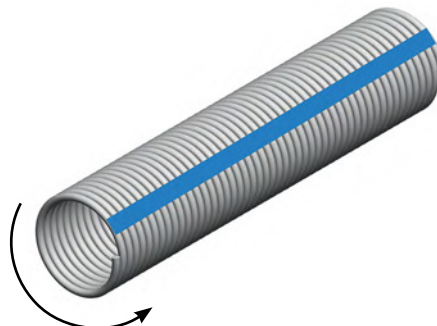


ПРУЖИНЫ И НАКОНЕЧНИКИ ПРУЖИННЫЕ

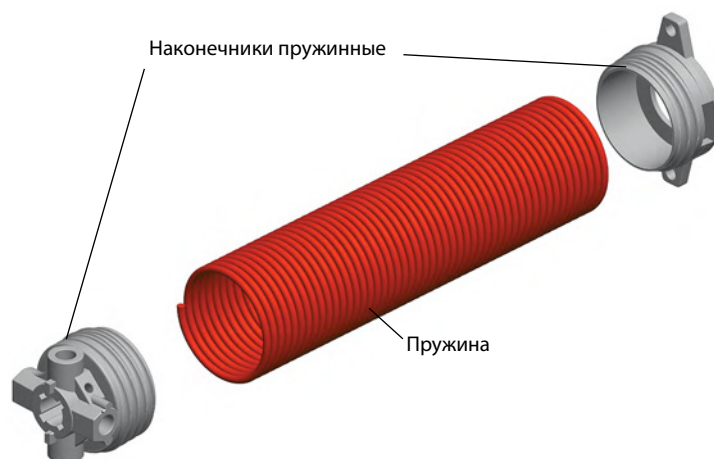
ПРУЖИНА С ЛЕВОЙ НАВИВКОЙ — L
(маркируется красным цветом)



ПРУЖИНА С ПРАВОЙ НАВИВКОЙ — R
(маркируется любым другим цветом)



СХЕМАТИЧЕСКОЕ ИЗОБРАЖЕНИЕ ПРУЖИНЫ
С НАКОНЕЧНИКАМИ ПРУЖИННЫМИ



СХЕМАТИЧЕСКОЕ ИЗОБРАЖЕНИЕ
ДУПЛЕКСНОЙ ПРУЖИНЫ

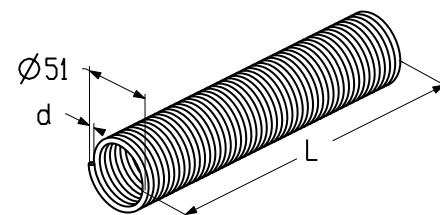


ПРУЖИНЫ И НАКОНЕЧНИКИ ПРУЖИННЫЕ

Пружина

Используется в гаражных и промышленных воротах всех типов монтажа с одновальным системой балансировки.

Внутренний диаметр, мм 51
 Диаметр вала, мм 25,4
 Материал стальная проволока
 Покрытие полимерное
 Цвет RAL 9006
 Единица измерения м



| Артикул | Код | d, мм | Длина, мм | Вес, кг/м | Норма поставки, м | Норма поставки, шт. |
|------------------|-----------|-------|-----------|-----------|-------------------|---------------------|
| TSA42,5×51×1000R | 403803100 | 4,25 | 1000 | 5,00 | 4,50 | 5 |
| TSA42,5×51×1000L | 403803200 | 4,25 | 1000 | 5,00 | 4,50 | 5 |
| TSA45×51×1100R | 403380200 | 4,50 | 1100 | 4,80 | 5,50 | 5 |
| TSA45×51×1100L | 403380300 | 4,50 | 1100 | 4,80 | 5,50 | 5 |
| TSA47,5×51×1250R | 403380400 | 4,75 | 1250 | 5,00 | 6,25 | 5 |
| TSA47,5×51×1250L | 403380500 | 4,75 | 1250 | 5,00 | 6,25 | 5 |
| TSA50×51×1350R | 403800100 | 5,00 | 1350 | 5,40 | 6,75 | 5 |
| TSA50×51×1350L | 403800200 | 5,00 | 1350 | 5,40 | 6,75 | 5 |
| TSA52,5×51×1300R | 403803300 | 5,25 | 1300 | 5,70 | 6,50 | 5 |
| TSA52,5×51×1300L | 403803400 | 5,25 | 1300 | 5,70 | 6,50 | 5 |
| TSA55×51×1400R | 403800700 | 5,50 | 1400 | 6,00 | 7,00 | 5 |
| TSA55×51×1400L | 403800800 | 5,50 | 1400 | 6,00 | 7,00 | 5 |
| TSA57,5×51×1600R | 403800900 | 5,75 | 1600 | 6,35 | 8,00 | 5 |
| TSA57,5×51×1600L | 403801000 | 5,75 | 1600 | 6,35 | 8,00 | 5 |
| TSA60×51×1700R | 403801100 | 6,00 | 1700 | 6,62 | 8,50 | 5 |
| TSA60×51×1700L | 403801200 | 6,00 | 1700 | 6,62 | 8,50 | 5 |
| TSA62,5×51×1800R | 403801300 | 6,25 | 1800 | 6,80 | 9,00 | 5 |
| TSA62,5×51×1800L | 403801400 | 6,25 | 1800 | 6,80 | 9,00 | 5 |
| TSA65×51×1900R | 403801500 | 6,50 | 1900 | 7,24 | 9,50 | 5 |
| TSA65×51×1900L | 403801600 | 6,50 | 1900 | 7,24 | 9,50 | 5 |
| TSA70×51×1400R | 403382000 | 7,00 | 1400 | 7,70 | 7,00 | 5 |
| TSA70×51×1400L | 403382100 | 7,00 | 1400 | 7,70 | 7,00 | 5 |
| TSA70×51×2000R | 403384800 | 7,00 | 2000 | 7,70 | 10,00 | 5 |
| TSA70×51×2000L | 403384900 | 7,00 | 2000 | 7,70 | 10,00 | 5 |

1.1

1.2

1.3

1.4

1.5

2

3

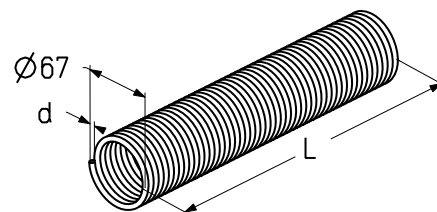
4

ПРУЖИНЫ И НАКОНЕЧНИКИ ПРУЖИННЫЕ

Пружина

Используется в гаражных и промышленных воротах всех типов монтажа с одновальными системой балансировки полотна.

Внутренний диаметр, мм 67
 Диаметр вала, мм 25,4
 Материал стальная проволока
 Покрытие полимерное
 Цвет RAL 9006
 Единица измерения м



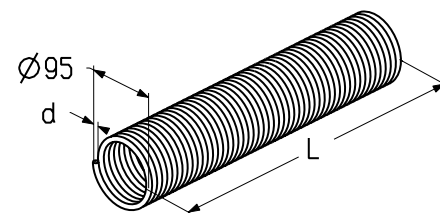
| Артикул | Код | d, мм | Длина, мм | Вес, кг/м | Норма поставки, м | Норма поставки, шт. |
|------------------|-----------|-------|-----------|-----------|-------------------|---------------------|
| TSA55×67×1200R | 403383700 | 5,50 | 1200 | 7,72 | 6,00 | 5 |
| TSA55×67×1200L | 403382400 | 5,50 | 1200 | 7,72 | 6,00 | 5 |
| TSA57,5×67×1400R | 403382500 | 5,75 | 1400 | 8,10 | 7,00 | 5 |
| TSA57,5×67×1400L | 403382600 | 5,75 | 1400 | 8,10 | 7,00 | 5 |
| TSA60×67×1500R | 403802700 | 6,00 | 1500 | 8,50 | 7,50 | 5 |
| TSA60×67×1500L | 403802800 | 6,00 | 1500 | 8,50 | 7,50 | 5 |
| TSA62,5×67×1700R | 403387200 | 6,25 | 1700 | 8,87 | 8,50 | 5 |
| TSA62,5×67×1700L | 403387300 | 6,25 | 1700 | 8,87 | 8,50 | 5 |
| TSA65×67×1700R | 403803500 | 6,50 | 1700 | 9,25 | 8,50 | 5 |
| TSA65×67×1700L | 403803600 | 6,50 | 1700 | 9,25 | 8,50 | 5 |
| TSA70×67×1900R | 403803700 | 7,00 | 1900 | 10,00 | 9,00 | 5 |
| TSA70×67×1900L | 403803800 | 7,00 | 1900 | 10,00 | 9,00 | 5 |
| TSA75×67×2200R | 403802500 | 7,50 | 2200 | 10,90 | 11,00 | 5 |
| TSA75×67×2200L | 403802600 | 7,50 | 2200 | 10,90 | 11,00 | 5 |

ПРУЖИНЫ И НАКОНЕЧНИКИ ПРУЖИННЫЕ

Пружина

Используется:

- в гаражных воротах высокого типа монтажа;
- в промышленных воротах всех типов монтажа с одновальной и двухвальной системами балансировки.



Внутренний диаметр, мм 95
 Диаметр вала, мм 25,4/31,75
 Материал стальная проволока
 Покрытие полимерное
 Цвет RAL 9006
 Единица измерения м

| Артикул | Код | d, мм | Длина, мм | Вес, кг/м | Норма поставки, м | Норма поставки, шт. |
|----------------|-----------|-------|-----------|-----------|-------------------|---------------------|
| TSA65×95×1400L | 403374300 | 6,5 | 1400 | 12,80 | 7,00 | 5 |
| TSA65×95×1400R | 403374400 | 6,5 | 1400 | 12,80 | 7,00 | 5 |
| TSA70×95×1150L | 403376500 | 7,0 | 1150 | 13,80 | 5,75 | 5 |
| TSA70×95×1150R | 403376400 | 7,0 | 1150 | 13,80 | 5,75 | 5 |
| TSA70×95×1650L | 403376700 | 7,0 | 1650 | 13,80 | 8,25 | 5 |
| TSA70×95×1650R | 403376600 | 7,0 | 1650 | 13,80 | 8,25 | 5 |
| TSA75×95×1300L | 403376900 | 7,5 | 1300 | 14,90 | 6,50 | 5 |
| TSA75×95×1300R | 403376800 | 7,5 | 1300 | 14,90 | 6,50 | 5 |
| TSA75×95×1750L | 403377100 | 7,5 | 1750 | 14,90 | 8,75 | 5 |
| TSA75×95×1750R | 403377000 | 7,5 | 1750 | 14,90 | 8,75 | 5 |
| TSA80×95×1500L | 403700200 | 8,0 | 1500 | 16,00 | 7,50 | 5 |
| TSA80×95×1500R | 403700100 | 8,0 | 1500 | 16,00 | 7,50 | 5 |
| TSA80×95×2100L | 403370700 | 8,0 | 2100 | 16,00 | 10,50 | 5 |
| TSA80×95×2100R | 403370800 | 8,0 | 2100 | 16,00 | 10,50 | 5 |
| TSA85×95×1250L | 403370900 | 8,5 | 1250 | 17,00 | 6,25 | 5 |
| TSA85×95×1250R | 403371000 | 8,5 | 1250 | 17,00 | 6,25 | 5 |
| TSA85×95×1600L | 403377300 | 8,5 | 1600 | 17,00 | 8,00 | 5 |
| TSA85×95×1600R | 403377200 | 8,5 | 1600 | 17,00 | 8,00 | 5 |
| TSA90×95×1400L | 403371100 | 9,0 | 1400 | 18,20 | 7,00 | 5 |
| TSA90×95×1400R | 403371200 | 9,0 | 1400 | 18,20 | 7,00 | 5 |
| TSA90×95×1500L | 403377500 | 9,0 | 1500 | 18,20 | 7,50 | 5 |
| TSA90×95×1500R | 403377400 | 9,0 | 1500 | 18,20 | 7,50 | 5 |
| TSA95×95×1600L | 403371300 | 9,5 | 1600 | 19,30 | 8,00 | 5 |
| TSA95×95×1600R | 403371400 | 9,5 | 1600 | 19,30 | 8,00 | 5 |

1.1

1.2

1.3

1.4

1.5

2

3

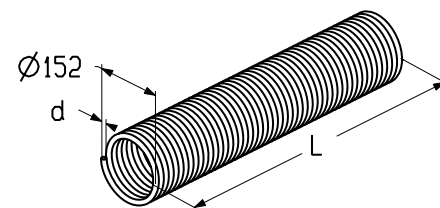
4

ПРУЖИНЫ И НАКОНЕЧНИКИ ПРУЖИННЫЕ

Пружина

Используется в промышленных воротах всех типов монтажа с одновальными и двухвальными системами балансировки.

Внутренний диаметр, мм 152
 Диаметр вала, мм 25,4/31,75
 Материал стальная проволока
 Покрытие полимерное
 Цвет RAL 9006
 Единица измерения м



| Артикул | Код | d, мм | Длина, мм | Вес, кг/м | Норма поставки, м | Норма поставки, шт. |
|------------------|-----------|-------|-----------|-----------|-------------------|---------------------|
| TSA75×152×1300L | 403377700 | 7,5 | 1300 | 23,20 | 6,50 | 5 |
| TSA75×152×1300R | 403377600 | 7,5 | 1300 | 23,20 | 6,50 | 5 |
| TSA80×152×1500L | 403377900 | 8,0 | 1500 | 24,90 | 7,50 | 5 |
| TSA80×152×1500R | 403377800 | 8,0 | 1500 | 24,90 | 7,50 | 5 |
| TSA85×152×1250L | 403700600 | 8,5 | 1250 | 26,40 | 6,25 | 5 |
| TSA85×152×1250R | 403700500 | 8,5 | 1250 | 26,40 | 6,25 | 5 |
| TSA85×152×1750L | 403700400 | 8,5 | 1750 | 26,40 | 8,75 | 5 |
| TSA85×152×1750R | 403700300 | 8,5 | 1750 | 26,40 | 8,75 | 5 |
| TSA90×152×2100L | 403375400 | 9,0 | 2100 | 28,00 | 10,50 | 5 |
| TSA90×152×2100R | 403375500 | 9,0 | 2100 | 28,00 | 10,50 | 5 |
| TSA95×152×1300L | 403375700 | 9,5 | 1300 | 29,60 | 6,50 | 5 |
| TSA95×152×1300R | 403375600 | 9,5 | 1300 | 29,60 | 6,50 | 5 |
| TSA95×152×2250L | 403372300 | 9,5 | 2250 | 29,60 | 11,25 | 5 |
| TSA95×152×2250R | 403372400 | 9,5 | 2250 | 29,60 | 11,25 | 5 |
| TSA100×152×1400L | 403700800 | 10,0 | 1400 | 31,30 | 7,00 | 5 |
| TSA100×152×1400R | 403700700 | 10,0 | 1400 | 31,30 | 7,00 | 5 |
| TSA100×152×2450L | 403701000 | 10,0 | 2450 | 31,30 | 12,25 | 5 |
| TSA100×152×2450R | 403700900 | 10,0 | 2450 | 31,30 | 12,25 | 5 |
| TSA105×152×1400L | 403372700 | 10,5 | 1400 | 33,13 | 7,00 | 5 |
| TSA105×152×1400R | 403372800 | 10,5 | 1400 | 33,13 | 7,00 | 5 |
| TSA105×152×1800L | 403374100 | 10,5 | 1800 | 33,13 | 9,00 | 5 |
| TSA105×152×1800R | 403374200 | 10,5 | 1800 | 33,13 | 9,00 | 5 |
| TSA110×152×1550L | 403375800 | 11,0 | 1550 | 34,70 | 7,75 | 5 |
| TSA110×152×1550R | 403375900 | 11,0 | 1550 | 34,70 | 7,75 | 5 |
| TSA115×152×1800L | 403701200 | 11,5 | 1800 | 36,51 | 9,00 | 5 |
| TSA115×152×1800R | 403701100 | 11,5 | 1800 | 36,51 | 9,00 | 5 |
| TSA110×152×1800L | 403379100 | 11,0 | 1800 | 34,80 | 9,00 | 5 |
| TSA110×152×1800R | 403379000 | 11,0 | 1800 | 34,80 | 9,00 | 5 |

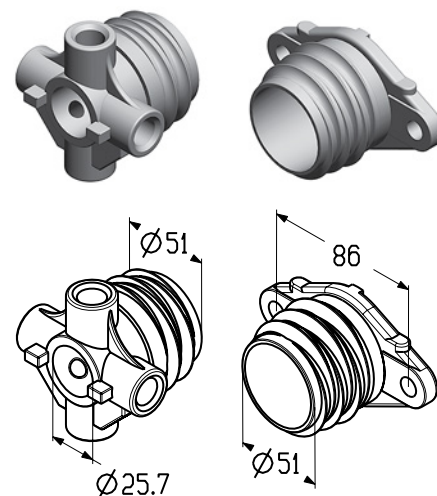
ПРУЖИНЫ И НАКОНЕЧНИКИ ПРУЖИННЫЕ

Наконечники пружинные 51 мм

Используются совместно с пружинами с внутренним диаметром 51 мм.

| | |
|----------------------------|----------|
| Материал | алюминий |
| Диаметр вала, мм | 25,4 |
| Вес, кг/пара | 0,7 |
| Единица измерения | пара |
| Норма поставки, пара | 100 |

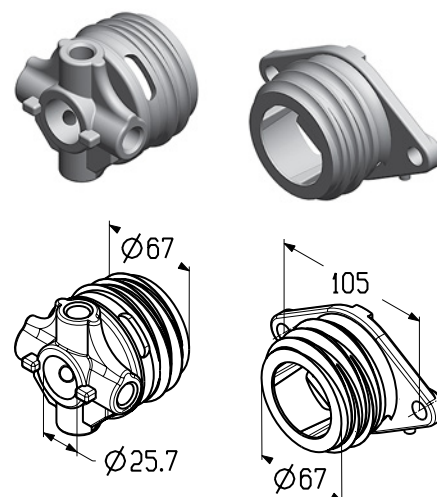
| Артикул | Код |
|---------|-----------|
| SF-51 | 403120000 |

**Наконечники пружинные 67 мм**

Используются совместно с пружинами с внутренним диаметром 67 мм.

| | |
|----------------------------|----------|
| Материал | алюминий |
| Диаметр вала, мм | 25,4 |
| Вес, кг/пара | 1 |
| Единица измерения | пара |
| Норма поставки, пара | 100 |

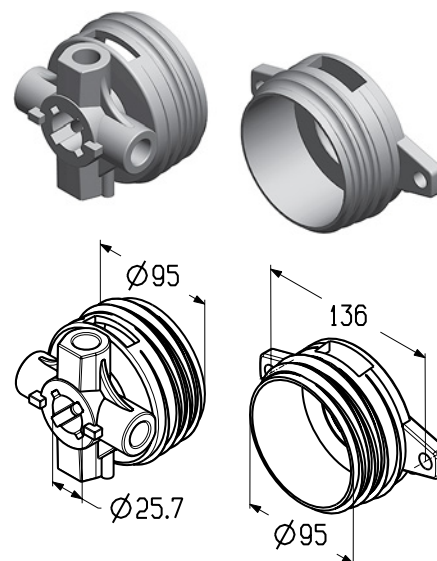
| Артикул | Код |
|---------|-----------|
| SF-67 | 403120100 |

**Наконечники пружинные 95 мм**

Используются совместно с пружинами с внутренним диаметром 95 мм.

| | |
|----------------------------|----------|
| Материал | алюминий |
| Диаметр вала, мм | 25,4 |
| Вес, кг/пара | 3,2 |
| Единица измерения | пара |
| Норма поставки, пара | 20 |

| Артикул | Код |
|---------|-----------|
| SF-95 | 403120200 |



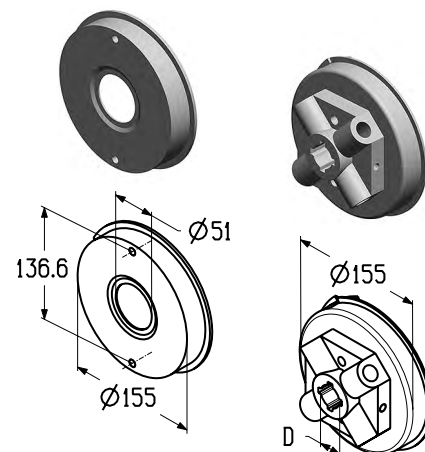
ПРУЖИНЫ И НАКОНЕЧНИКИ ПРУЖИННЫЕ

Наконечники пружинные 152 мм

Используются совместно с пружинами с внутренним диаметром 152 мм.

Материал алюминий
 Вес, кг/пара 1,33
 Единица измерения пара
 Норма поставки, пара 7

| Артикул | Код | Диаметр вала, мм | Примечание |
|-------------|-----------|------------------|------------|
| SF-152L | 403120500 | 25,40 | Левый |
| SF-152R | 403120400 | | Правый |
| SF-152L-5/4 | 403130200 | 31,75 | Левый |
| SF-152R-5/4 | 403130100 | | Правый |

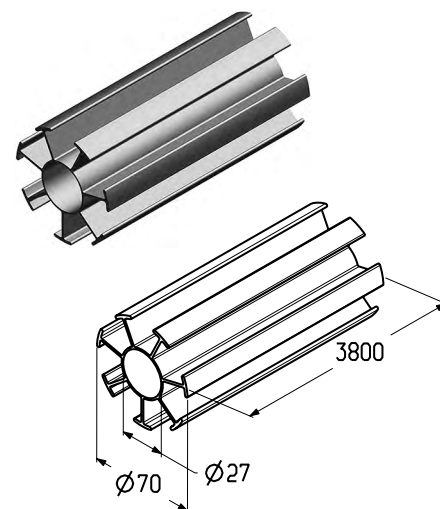


Профиль проставочный

Применяется совместно с пружиной с внутренним диаметром 95 мм.

Диаметр вала, мм 25,4
 Длина, мм 3800
 Материал ПВХ
 Вес, кг/м 0,57
 Единица измерения м
 Норма поставки, м 665

| Артикул | Код |
|------------|-----------|
| IP-95-3800 | 403520300 |

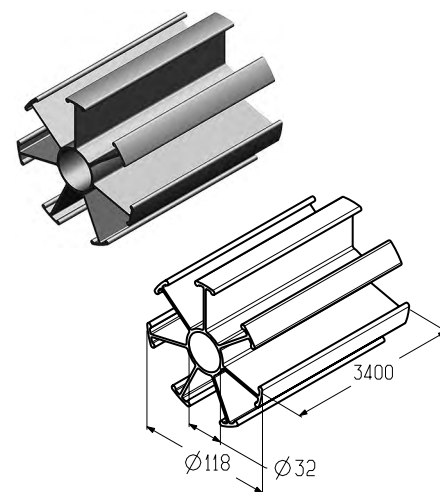


Профиль проставочный

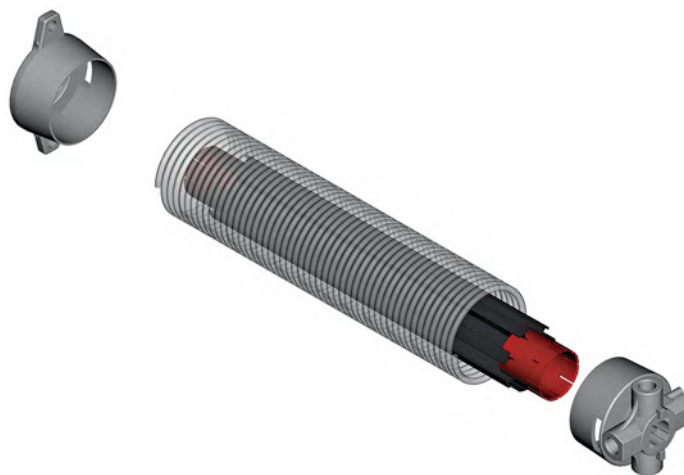
Применяется совместно с пружиной с внутренним диаметром 152 мм.

Диаметр вала, мм 25,4/31,75
 Длина, мм 3400
 Материал ПВХ
 Вес, кг/м 1,70
 Единица измерения м
 Норма поставки, м 204

| Артикул | Код |
|-------------|-----------|
| IP-152-3400 | 403520200 |

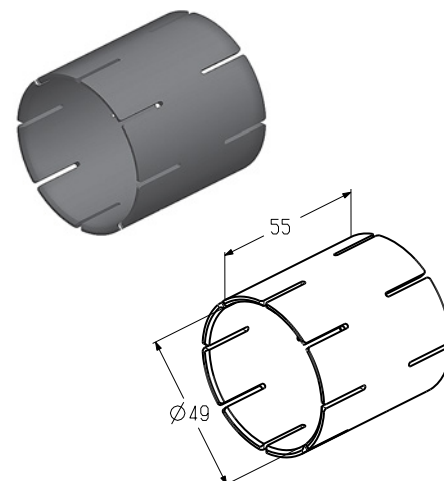


УСТАНОВКА АДАПТЕРА ПРОСТАВОЧНОГО

**Адаптер проставочный**

Предназначен для установки совместно с профилем проставочным.

| | |
|--------------------------|-------|
| Материал | PVC |
| Единица измерения | шт. |
| Вес, кг/шт. | 0,017 |
| Норма поставки, шт. | 140 |



| Артикул | Код |
|---------|-----------|
| DH-4015 | 453500100 |

1.1

1.2

1.3

1.4

1.5

2

3

4

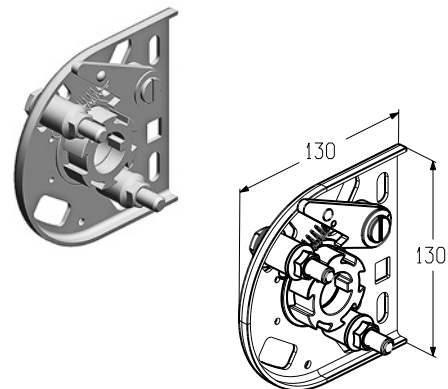
МУФТЫ ПРЕДОХРАНИТЕЛЬНЫЕ ХРАПОВЫЕ

Муфта предохранительная храповая

Предназначена для блокировки вала при поломке пружины. Используется в гаражных воротах с торсионными пружинами стандартного и низкого типов монтажа.

Материал оцинкованная сталь
 Вес, кг/шт. 0,7
 Диаметр вала, мм 25,4
 Единица измерения шт.

| Артикул | Код | Применение | Норма поставки, шт. |
|---------|-----------|------------|---------------------|
| SBD-TR | 403732700 | Правая | 32 |
| SBD-TL | 403732600 | Левая | |

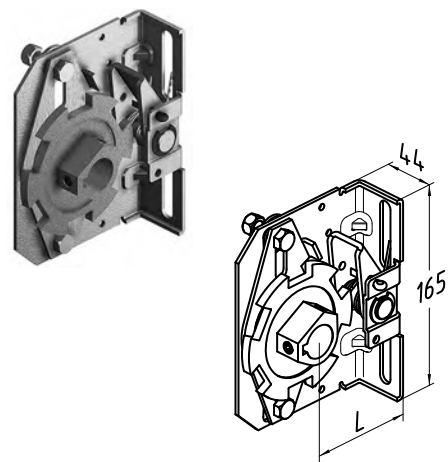


Муфта предохранительная храповая

Предназначена для блокировки вала при поломке пружины. Используется в промышленных воротах всех типов монтажа.

Диаметр вала, мм 25,4
 Материал оцинкованная сталь
 Единица измерения шт.

| Артикул | Код | Примечание | Применение | Норма поставки, шт. |
|----------|-----------|--|------------|---------------------|
| SBD-86R | 403731800 | При расстоянии от стены до оси вала более 86 мм | Правая | 15 |
| SBD-86L | 403731900 | | Левая | 15 |
| SBD-111R | 403732000 | При расстоянии от стены до оси вала более 111 мм | Правая | 10 |
| SBD-111L | 403732100 | | Левая | 10 |
| SBD-127R | 403732200 | При расстоянии от стены до оси вала более 127 мм | Правая | 10 |
| SBD-127L | 403732300 | | Левая | 10 |
| SBD-152R | 403732400 | При расстоянии от стены до оси вала более 152 мм | Правая | 10 |
| SBD-152L | 403732500 | | Левая | 10 |

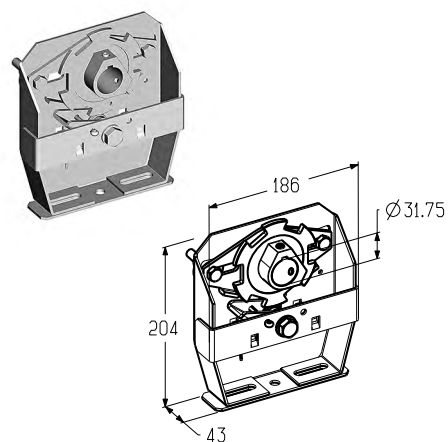


Муфта предохранительная храповая

Предназначена для блокировки вала при поломке пружины. Используется в промышленных воротах всех типов монтажа с одновальнoй и двухвальнoй системой балансировки. Устанавливается совместно с пружинами с внутренним диаметром 95, 152 мм.

Материал оцинкованная сталь
 Диаметр вала, мм 31,75
 Единица измерения шт.
 Вес, кг/шт. 2,50
 Норма поставки, шт. 20

| Артикул | Код | Примечание |
|-------------|-----------|------------|
| SBD-TSS5/4L | 403730800 | Левый |
| SBD-TSS5/4R | 403730900 | Правый |



БАРАБАНЫ

Барaban

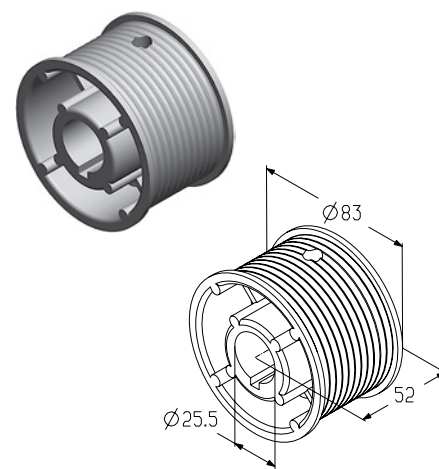
Предназначен для намотки троса Ø 3 мм.

Используется:

- в гаражных воротах стандартного и низкого типов монтажа;
- в промышленных воротах стандартного, низкого, наклонного низкого и наклонного типов монтажа с одновальной системой балансировки.

| | |
|-----------------------------|----------|
| Диаметр вала, мм | 25,4 |
| Мах высота ворот, мм | 3000 |
| Мах масса полотна ворот, кг | 320 |
| Материал | алюминий |
| Вес, кг/пара | 0,8 |
| Единица измерения | пара |
| Норма поставки, пара | 25 |

| Артикул | Код |
|---------|-----------|
| CD010N | 403020000 |



Барaban

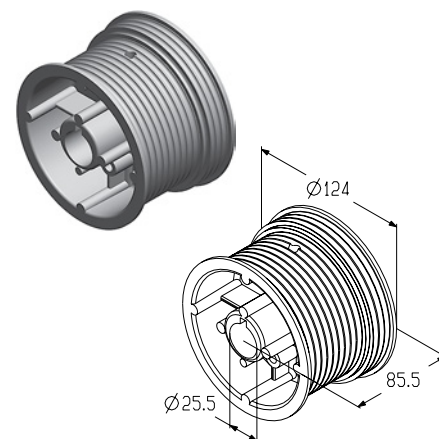
Предназначен для намотки троса Ø 3, 4, 5 мм.

Используется:

- в гаражных воротах стандартного и низкого типов монтажа;
- в промышленных воротах стандартного, низкого, наклонного низкого и наклонного типов монтажа с одновальной системой балансировки.

| | |
|-----------------------------|----------|
| Диаметр вала, мм | 25,4 |
| Мах высота ворот, мм | 3680 |
| Мах масса полотна ворот, кг | 500 |
| Материал | алюминий |
| Вес, кг/пара | 1,1 |
| Единица измерения | пара |
| Норма поставки, пара | 20 |

| Артикул | Код |
|---------|-----------|
| CD012N | 403020100 |



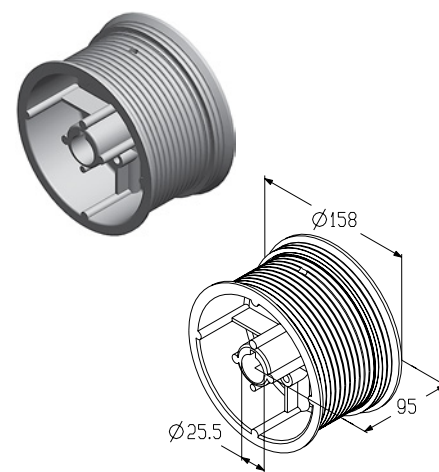
Барaban

Предназначен для намотки троса Ø 3, 4, 5 мм.

Используется в промышленных воротах стандартного, низкого, наклонного низкого и наклонного типов монтажа с одновальной системой балансировки.

| | |
|-----------------------------|----------|
| Диаметр вала, мм | 25,4 |
| Мах высота ворот, мм | 5570 |
| Мах масса полотна ворот, кг | 500 |
| Материал | алюминий |
| Вес, кг/пара | 1,6 |
| Единица измерения | пара |
| Норма поставки, пара | 15 |

| Артикул | Код |
|---------|-----------|
| CD018N | 403020200 |



1.1

1.2

1.3

1.4

1.5

2

3

4

БАРАБАНЫ

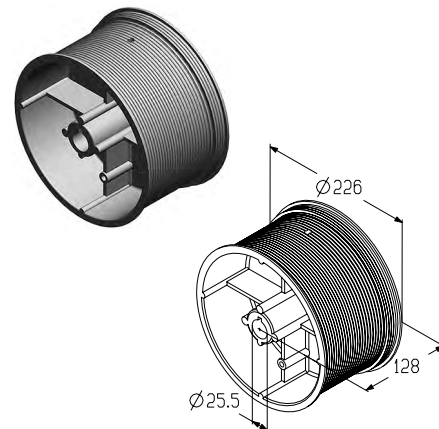
Барабан

Предназначен для крепления троса Ø 3, 4, 5, 6 мм.

Используется в промышленных воротах стандартного, низкого, наклонного низкого и наклонного типов монтажа с одновальной системой балансировки.

| | |
|-----------------------------|----------|
| Диаметр вала, мм | 25,4 |
| Мах высота ворот, мм | 10175 |
| Мах масса полотна ворот, кг | 700 |
| Материал | алюминий |
| Вес, кг/пара | 5,1 |
| Единица измерения | пара |
| Норма поставки, пара | 4 |

| Артикул | Код |
|---------|-----------|
| CD032N | 403020300 |



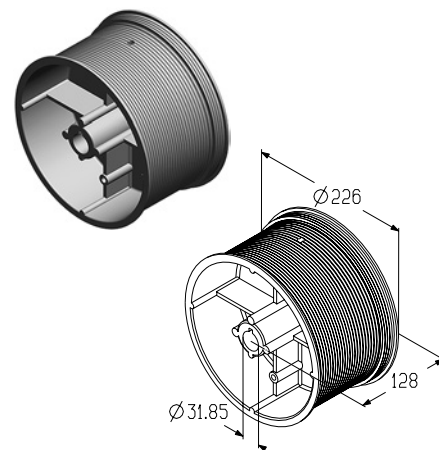
Барабан

Предназначен для крепления троса Ø 3, 4, 5, 6 мм.

Используется в промышленных воротах стандартного, низкого, наклонного низкого и наклонного типов монтажа с одновальной и двухвальной системой балансировки.

| | |
|-----------------------------|----------|
| Диаметр вала, мм | 31,75 |
| Мах высота ворот, мм | 10175 |
| Мах масса полотна ворот, кг | 700 |
| Материал | алюминий |
| Вес, кг/пара | 5,1 |
| Единица измерения | пара |
| Норма поставки, пара | 2 |

| Артикул | Код |
|------------|-----------|
| CD032N-5/4 | 403030000 |



Барабан

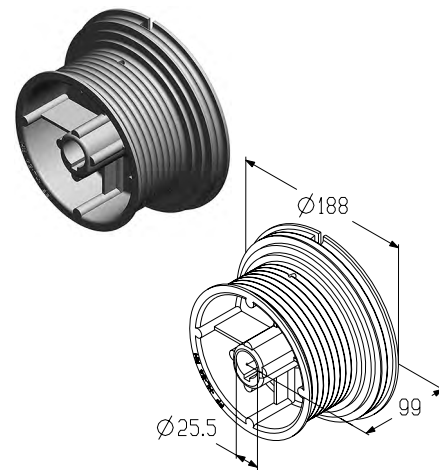
Предназначен для крепления троса Ø 3, 4, 5 мм.

Используется:

- в гаражных воротах высокого типа монтажа;
- в промышленных воротах высоких и высоких наклонных типов монтажа с одновальной системой балансировки.

| | |
|-----------------------------|----------|
| Диаметр вала, мм | 25,4 |
| Мах высота ворот, мм | 4800 |
| Мах масса полотна ворот, кг | 500 |
| Мах HL*, мм | 1370 |
| Материал | алюминий |
| Вес, кг/пара | 2,1 |
| Единица измерения | пара |
| Норма поставки, пара | 6 |

| Артикул | Код |
|---------|-----------|
| CD054H | 403020400 |



* Максимальное расстояние от нижнего края перемычки до нижнего края горизонтальных направляющих.

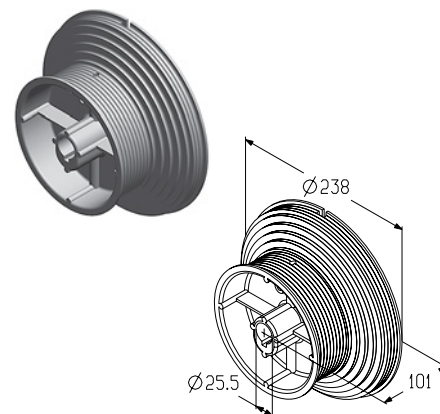
БАРАБАНЫ

Барабан

Предназначен для крепления троса $\varnothing 3, 4, 5$ мм.
Используется в промышленных воротах высоких и высоких наклонных типов монтажа с одновальной системой балансировки.

| | |
|-----------------------------|----------|
| Диаметр вала, мм | 25,4 |
| Мах высота ворот, мм | 5050 |
| Мах масса полотна ворот, кг | 500 |
| Мах HL*, мм | 3050 |
| Материал | алюминий |
| Вес, кг/пара | 2,9 |
| Единица измерения | пара |
| Норма поставки, пара | 5 |

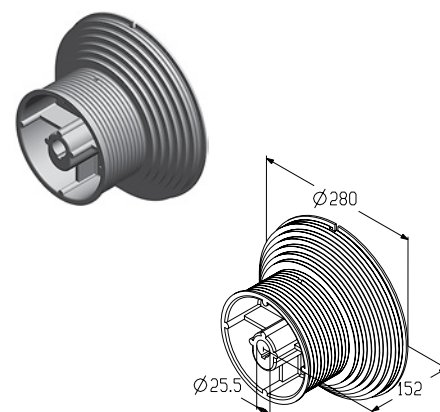
| Артикул | Код |
|---------|-----------|
| CD120H | 403020500 |

**Барабан**

Предназначен для крепления троса $\varnothing 3, 4, 5, 6$ мм.
Используется в промышленных воротах высоких и высоких наклонных типов монтажа с одновальной системой балансировки.

| | |
|-----------------------------|----------|
| Диаметр вала, мм | 25,4 |
| Мах высота ворот, мм | 6000 |
| Мах масса полотна ворот, кг | 650 |
| Мах HL*, мм | 4100 |
| Материал | алюминий |
| Вес, кг/пара | 6,5 |
| Единица измерения | пара |
| Норма поставки, пара | 3 |

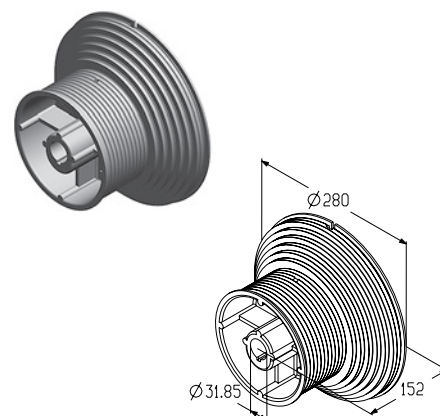
| Артикул | Код |
|---------|-----------|
| CD164H | 403020600 |

**Барабан**

Предназначен для крепления троса $\varnothing 3, 4, 5, 6$ мм.
Используется в промышленных воротах высоких и высоких наклонных типов монтажа с одновальной и двухвальной системами балансировки.

| | |
|-----------------------------|----------|
| Диаметр вала, мм | 31,75 |
| Мах высота ворот, мм | 6000 |
| Мах масса полотна ворот, кг | 650 |
| Мах HL*, мм | 4100 |
| Материал | алюминий |
| Вес, кг/пара | 6,5 |
| Единица измерения | пара |
| Норма поставки, пара | 2 |

| Артикул | Код |
|------------|-----------|
| CD164H-5/4 | 403030100 |



* Максимальное расстояние от нижнего края перемычки до нижнего края горизонтальных направляющих.

БАРАБАНЫ

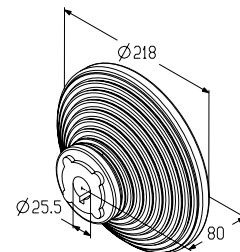
Барабан

Предназначен для крепления троса Ø 3, 4, 5 мм.

Используется в промышленных воротах вертикальных типов монтажа с одновальной системой балансировки.

| | |
|-----------------------------------|----------|
| Диаметр вала, мм | 25,4 |
| Мах высота ворот, мм | 3300 |
| Мах масса полотна ворот, кг | 500 |
| Материал | алюминий |
| Вес, кг/пара | 1,9 |
| Единица измерения | пара |
| Норма поставки, пара | 9 |

| Артикул | Код |
|---------|-----------|
| CD011V | 403020700 |



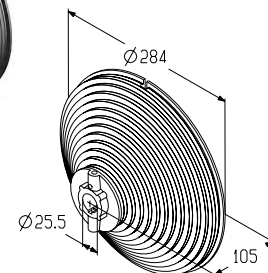
Барабан

Предназначен для крепления троса Ø 3, 4, 5 мм.

Используется в промышленных воротах вертикальных типов монтажа с одновальной системой балансировки.

| | |
|-----------------------------------|----------|
| Диаметр вала, мм | 25,4 |
| Мах высота ворот, мм | 6000 |
| Мах масса полотна ворот, кг | 600 |
| Материал | алюминий |
| Вес, кг/пара | 4 |
| Единица измерения | пара |
| Норма поставки, пара | 5 |

| Артикул | Код |
|---------|-----------|
| CD018V | 403020800 |



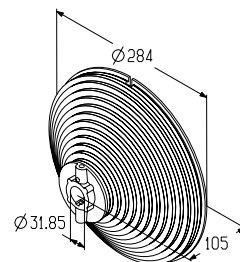
Барабан

Предназначен для крепления троса Ø 3, 4, 5 мм.

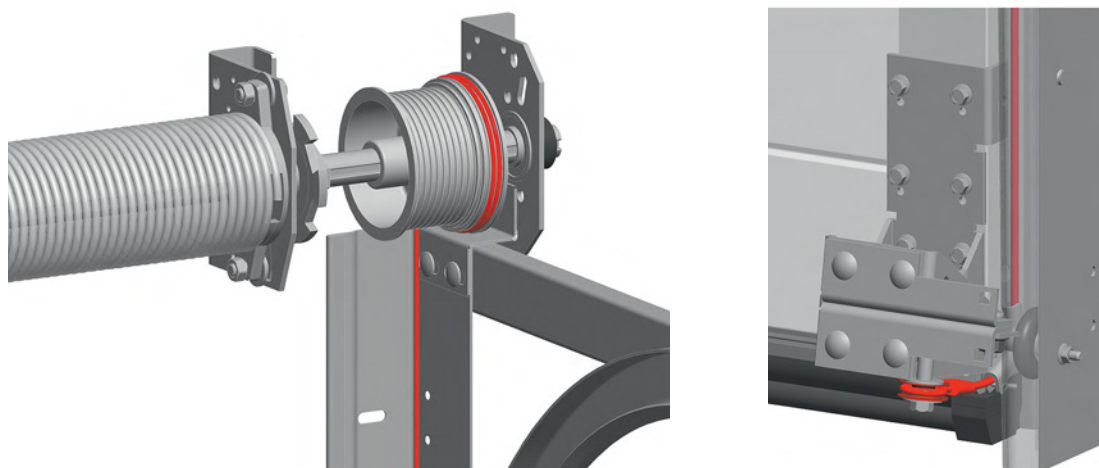
Используется в промышленных воротах вертикальных типов монтажа с одновальной и двухвальной системой балансировки.

| | |
|-----------------------------------|----------|
| Диаметр вала, мм | 31,75 |
| Мах высота ворот, мм | 6000 |
| Мах масса полотна ворот, кг | 600 |
| Материал | алюминий |
| Вес, кг/пара | 4 |
| Единица измерения | пара |
| Норма поставки, пара | 4 |

| Артикул | Код |
|------------|-----------|
| CD018V-5/4 | 403030200 |



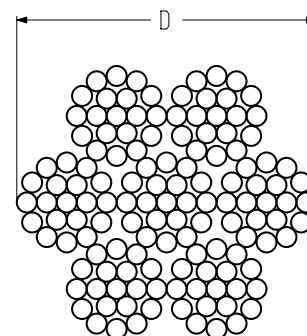
ТРОСЫ, КОУШИ, ЗАЖИМЫ

**Трос**

Предназначен для подъема полотна ворот с массой полотна от 450 кг.

Материал оцинкованная сталь
 Единица измерения м
 Норма поставки, м 250

| Артикул | Код | Диаметр троса, мм | Вес, кг/м |
|----------|-----------|-------------------|-----------|
| CR-6-250 | 403930300 | 6 | 0,140 |

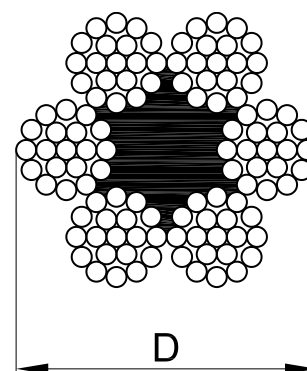
**Трос**

Предназначен для подъема полотна ворот.

Применяется в гаражных и промышленных воротах низких типов монтажа.

Материал оцинкованная сталь + PVC
 Единица измерения м
 Норма поставки, м 250

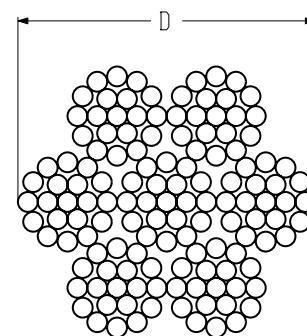
| Артикул | Код | Диаметр троса, мм | Вес, кг/м | Для ворот с массой полотна |
|------------|-----------|-------------------|-----------|----------------------------|
| CR-3-250-P | 403930800 | 3 | 0,055 | до 135 кг |
| CR-4-250-P | 403930900 | 4 | 0,086 | от 135 до 200 кг |
| CR-5-250-P | 403931000 | 5 | 0,125 | от 200 до 450 кг |

**Трос**

Предназначен для подъема полотна ворот.

Материал нержавеющая сталь
 Единица измерения м
 Норма поставки, м 250

| Артикул | Код | Диаметр троса, мм | Вес, кг/м | Для ворот с массой полотна |
|-------------|-----------|-------------------|-----------|----------------------------|
| CR-3-250-SS | 403930400 | 3 | 0,036 | до 135 кг |
| CR-4-250-SS | 403930500 | 4 | 0,062 | от 135 до 200 кг |
| CR-5-250-SS | 403930600 | 5 | 0,102 | от 200 до 450 кг |
| CR-6-250-SS | 403930700 | 6 | 0,154 | от 450 кг |



1.1

1.2

1.3

1.4

1.5

2

3

4

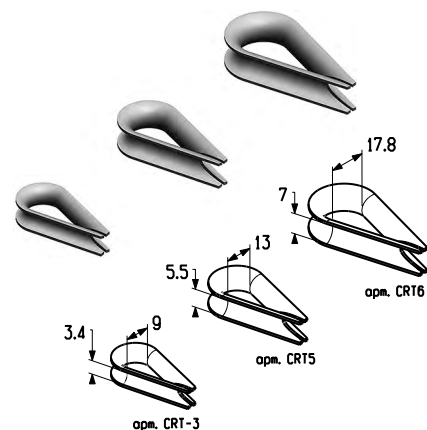
ТРОСЫ, КОУШИ, ЗАЖИМЫ

Коуш

Предназначен для заделки троса.

Материал оцинкованная сталь
Единица измерения шт.
Норма поставки, шт. 1000

| Артикул | Код | Диаметр троса, мм | Вес, кг/шт. |
|---------|-----------|-------------------|-------------|
| CRT-3 | 403950000 | 3 | 0,002 |
| CRT-5 | 403950100 | 5 и 4 | 0,005 |
| CRT-6 | 403950200 | 6 | 0,008 |

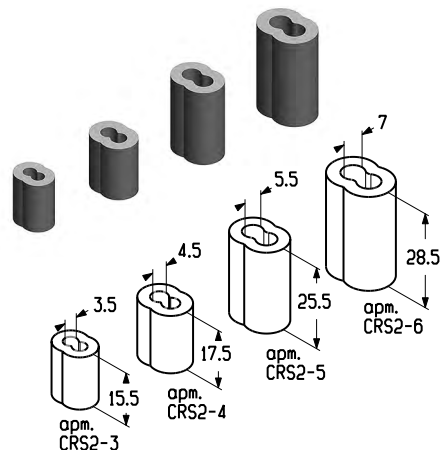


Зажим

Предназначен для заделки троса.

Материал алюминий
Единица измерения шт.
Норма поставки, шт. 1000

| Артикул | Код | Диаметр троса, мм | Вес, кг/шт. |
|---------|-----------|-------------------|-------------|
| CRS2-3 | 403940000 | 3 | 0,003 |
| CRS2-4 | 403940100 | 4 | 0,004 |
| CRS2-5 | 403940200 | 5 | 0,007 |
| CRS2-6 | 403940300 | 6 | 0,011 |

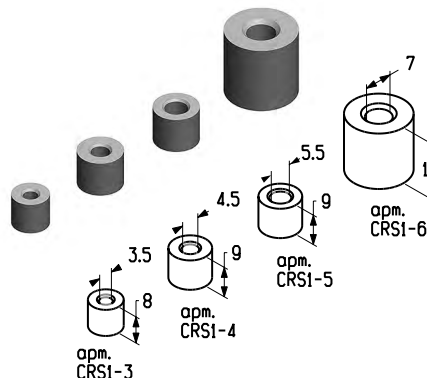


Зажим

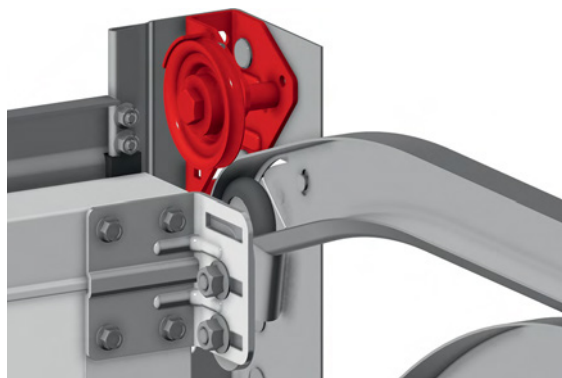
Предназначен для заделки троса.

Материал алюминий
Единица измерения шт.
Норма поставки, шт. 1000

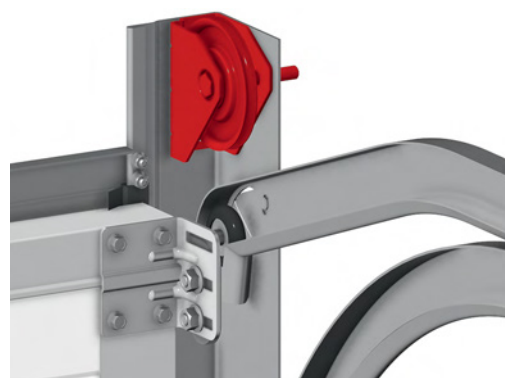
| Артикул | Код | Диаметр троса, мм | Вес, кг/шт. |
|---------|-----------|-------------------|-------------|
| CRS1-3 | 403940400 | 3 | 0,001 |
| CRS1-4 | 403940500 | 4 | 0,002 |
| CRS1-5 | 403940600 | 5 | 0,002 |
| CRS1-6 | 403940700 | 6 | 0,004 |



ШКИВЫ И КРОНШТЕЙНЫ ДЛЯ УСТАНОВКИ ТОРСИОННОГО ВАЛА



PB-3008GR(L)

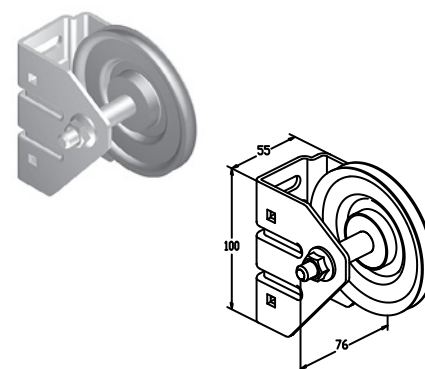


PB-3007IR(L)

Кронштейн шкива

Предназначен для установки троса $\varnothing 3, 4, 5$ мм. Используется в промышленных воротах низкого и наклонного низкого типов монтажа.

| | |
|---------------------|--------------------|
| Внешний диаметр, мм | 100 |
| Материал | оцинкованная сталь |
| Вес, кг/шт. | 0,629 |
| Единица измерения | шт. |
| Норма поставки, шт. | 50 |

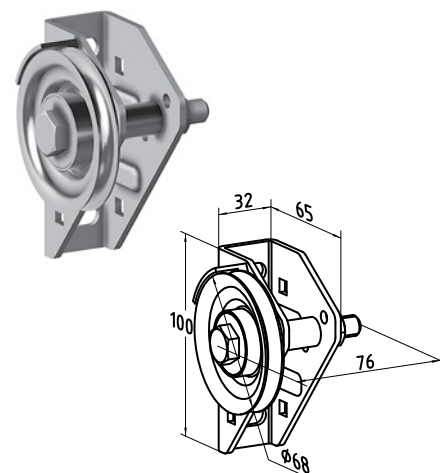


| Артикул | Код | Применение |
|-----------|-----------|------------|
| PB-3007IR | 403410700 | Правый |
| PB-3007IL | 403410600 | Левый |

Кронштейн шкива

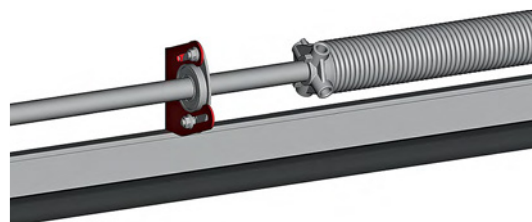
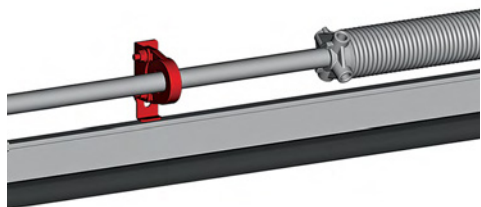
Предназначен для установки троса $\varnothing 3$ мм. Используется в гаражных воротах с торсионными пружинами низкого типа монтажа.

| | |
|---------------------|--------------------|
| Внешний диаметр, мм | 68 |
| Материал | оцинкованная сталь |
| Вес, кг/шт. | 0,490 |
| Единица измерения | шт. |
| Норма поставки, шт. | 50 |



| Артикул | Код | Применение |
|-----------|-----------|------------|
| PB-3008GR | 403410500 | Правый |
| PB-3008GL | 403410400 | Левый |

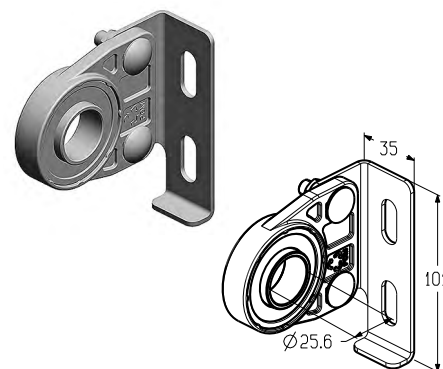
ШКИВЫ И КРОНШТЕЙНЫ ДЛЯ УСТАНОВКИ ТОРСИОННОГО ВАЛА



Кронштейн промежуточный

Предназначен для установки торсионного вала. Используется в гаражных воротах с торсионными пружинами стандартного типа монтажа шириной до 5000 мм.

Материал оцинкованная сталь+ПОМ
Вес, кг/шт. 0,326
Единица измерения шт.
Норма поставки, шт. 70

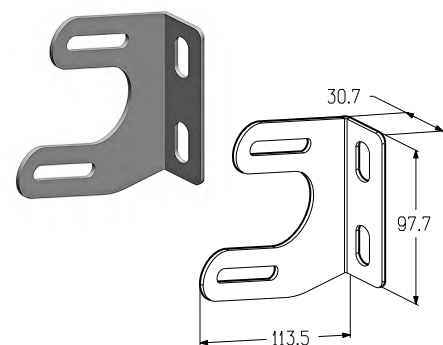


| Артикул | Код |
|----------|-----------|
| IBB-4501 | 403431100 |

Кронштейн промежуточный

Предназначен для установки торсионного вала. Используется в гаражных воротах с торсионными пружинами стандартного типа монтажа шириной свыше 5000 мм. Устанавливается совместно с подшипником (BV0401) и корпусом подшипника (BR0400).

Материал оцинкованная сталь
Вес, кг/шт. 0,17
Единица измерения шт.
Норма поставки, шт. 100

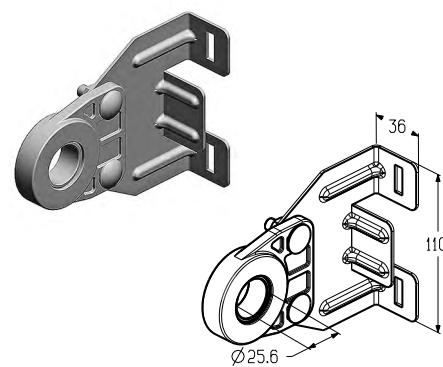


| Артикул | Код |
|----------|-----------|
| IBB-4502 | 403431200 |

Кронштейн промежуточный

Предназначен для установки торсионного вала. Используется в гаражных воротах с торсионными пружинами низкого типа монтажа шириной до 5000 мм.

Материал оцинкованная сталь+ПОМ
Вес, кг/шт. 0,381
Единица измерения шт.
Норма поставки, шт. 40



| Артикул | Код |
|----------|-----------|
| TBB-4505 | 403431500 |

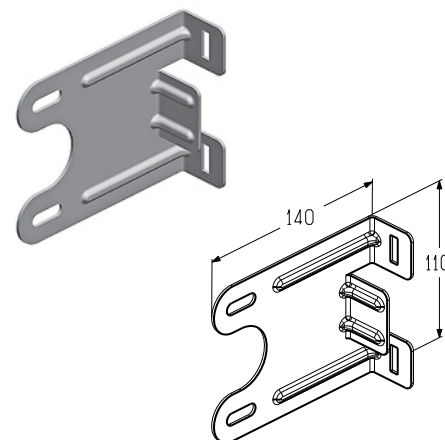
ШКИВЫ И КРОНШТЕЙНЫ ДЛЯ УСТАНОВКИ ТОРСИОННОГО ВАЛА

Кронштейн промежуточный

Предназначен для установки торсионного вала. Используется в гаражных воротах с торсионными пружинами низкого типа монтажа шириной свыше 5000 мм. Устанавливается совместно с подшипником (BB0401) и корпусом подшипника (BR0400).

Материал оцинкованная сталь
Вес, кг/шт. 0,255
Единица измерения шт.
Норма поставки, шт. 100

| Артикул | Код |
|----------|-----------|
| IBB-4510 | 403431200 |

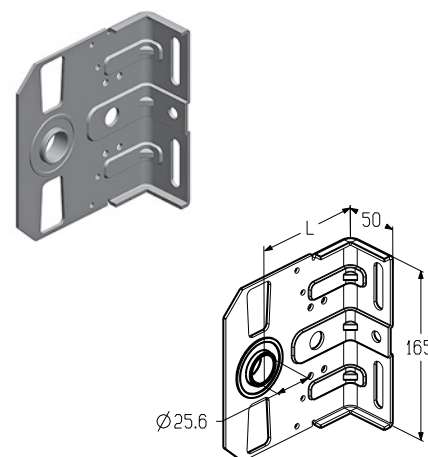


Кронштейн промежуточный

Предназначен для установки торсионного вала.
Используется в промышленных воротах всех типов монтажа.

Материал оцинкованная сталь
Диаметр вала, мм 25,4
Единица измерения шт.

| Артикул | Код | Размер (L), мм | Вес, кг/шт. | Норма поставки, шт. |
|---------|-----------|----------------|-------------|---------------------|
| IB-86M | 403431900 | 86 | 0,762 | 30 |
| IB-111M | 403432000 | 111 | 0,681 | 30 |
| IB-127M | 403432100 | 127 | 0,855 | 30 |
| IB-152M | 403432200 | 152 | 1,211 | 20 |

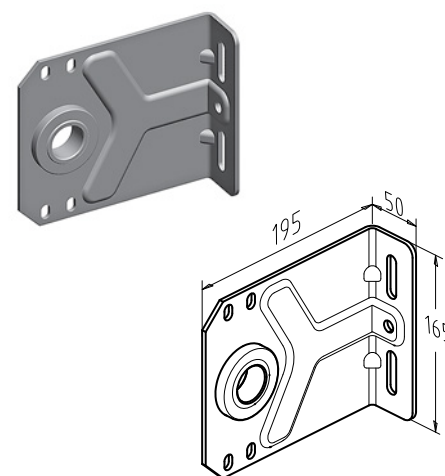


Кронштейн промежуточный

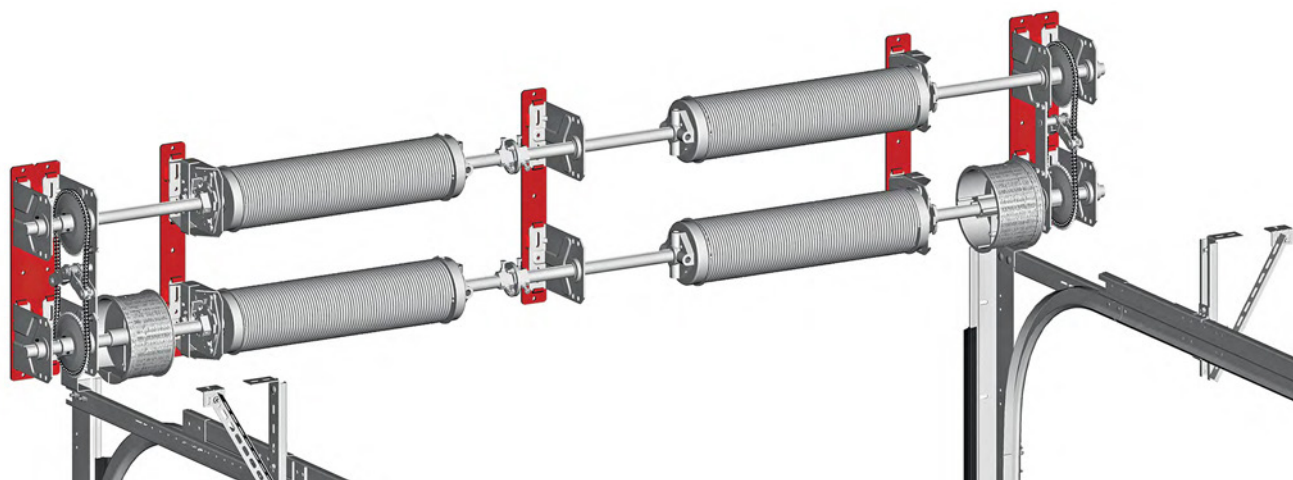
Предназначен для установки торсионного вала.
Используется в промышленных воротах всех типов монтажа.

Материал оцинкованная сталь
Диаметр вала, мм 31,75
Единица измерения шт.
Норма поставки, шт. 15

| Артикул | Код |
|------------|-----------|
| IB-152-5/4 | 403430600 |



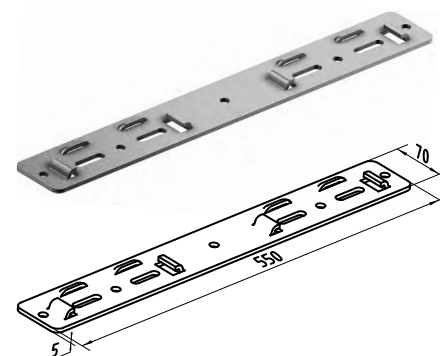
УСТАНОВКА ПЛАСТИНЫ МОНТАЖНОЙ



Пластина монтажная

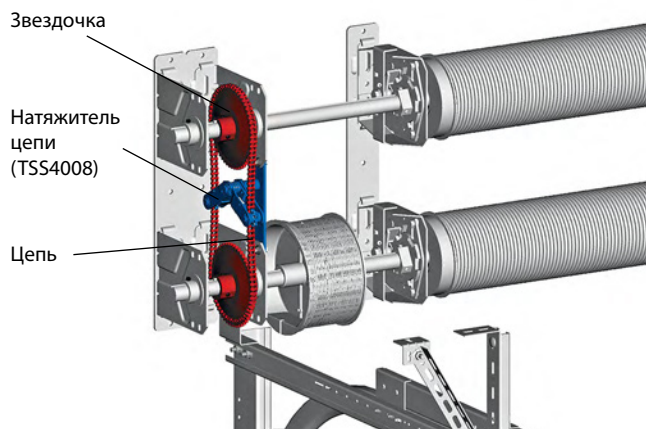
Предназначена для крепления муфты предохранительной храповой (SBD-TSS5/4L/R), кронштейна промежуточного (IB-152-5/4) к стене. Используется в промышленных воротах всех типов монтажа с верхним расположением вала с двухвальной системой балансировки.

Материал оцинкованная сталь
 Вес, кг/шт. 1,44
 Единица измерения шт.
 Норма поставки, шт. 16

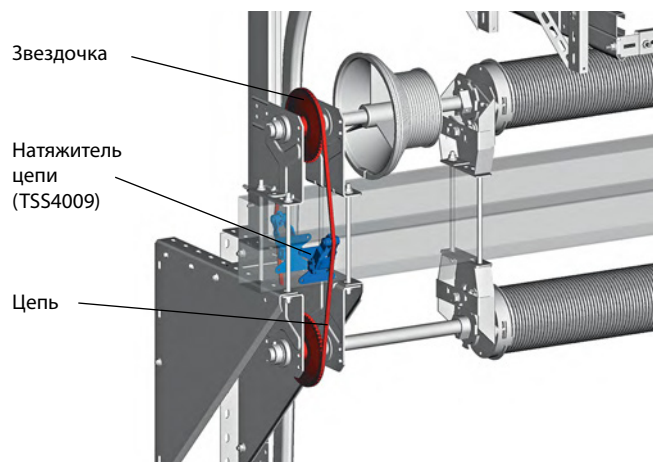


| Артикул | Код |
|---------|-----------|
| TSS4004 | 403901100 |

ШКИВЫ И КРОНШТЕЙНЫ ДЛЯ УСТАНОВКИ ТОРСИОННОГО ВАЛА



Верхнее расположение вала



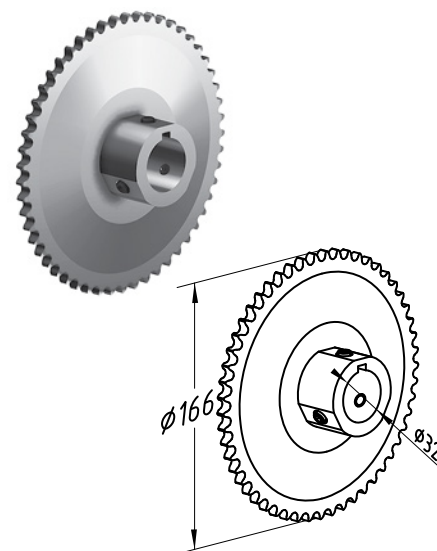
Нижнее расположение вала

Звездочка

Предназначена для передачи крутящего момента между двумя валами.
Используется в промышленных воротах всех типов монтажа с двухвальной системой балансировки.

Материал оксидированная сталь
Вес, кг/шт. 2,1
Единица измерения шт.
Норма поставки, шт. 168

| Артикул | Код |
|---------|-----------|
| TSS4005 | 403901200 |

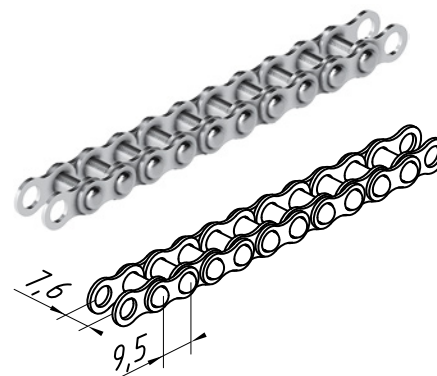


Цепь

Предназначена для передачи крутящего момента между двумя валами.
Используется в промышленных воротах всех типов монтажа с двухвальной системой балансировки.

Материал оцинкованная сталь
Единица измерения шт.

| Артикул | Код | Длина цепи, мм | Примечание | Вес, кг/шт. | Норма поставки, шт. |
|---------|-----------|----------------|------------------------------|-------------|---------------------|
| TSS4006 | 403901300 | 1133 | С верхним расположением вала | 0,3 | 50 |
| TSS4007 | 403901400 | 1514 | С нижним расположением вала | 0,4 | 40 |



ШКИВЫ И КРОНШТЕЙНЫ ДЛЯ УСТАНОВКИ ТОРСИОННОГО ВАЛА

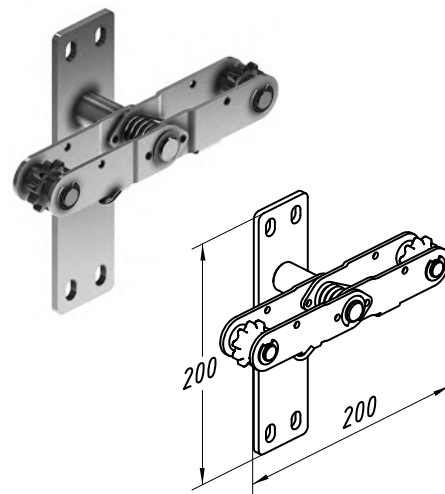
Натяжитель цепи

Предназначен для натяжения цепи (TSS4006, TSS4007).

Используется в промышленных воротах стандартного, наклонного, высокого, вертикального, наклонного высокого типов монтажа с верхним расположением вала с двухвальной системой балансировки.

Вес, кг/шт. 1,05
Единица измерения шт.
Норма поставки, шт. 21

| Артикул | Код |
|---------|-----------|
| TSS4008 | 403901500 |



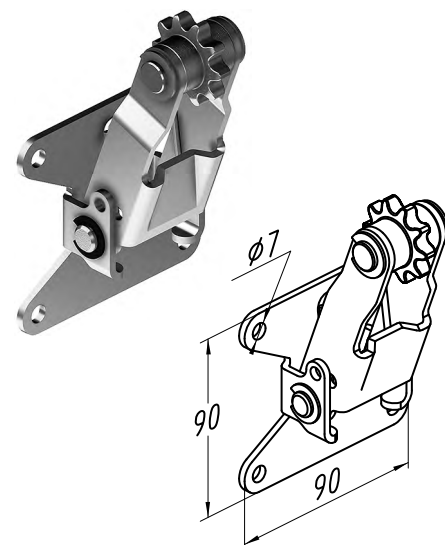
Натяжитель цепи

Предназначен для натяжения цепи (TSS4006, TSS4007).

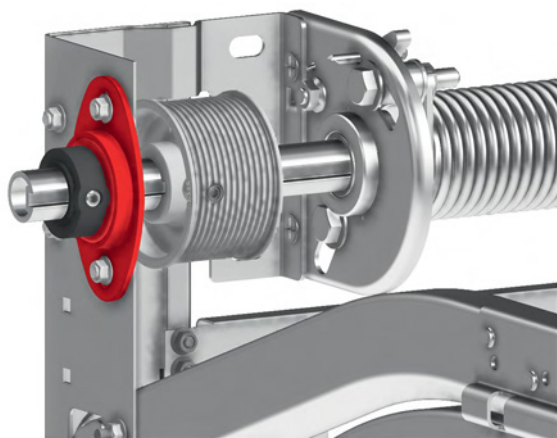
Используется в промышленных воротах высокого, наклонного высокого и вертикального типов монтажа с низким расположением вала с двухвальной системой балансировки.

Вес, кг/шт. 0,39
Единица измерения шт.
Норма поставки, шт. 56

| Артикул | Код |
|---------|-----------|
| TSS4009 | 403901600 |



ШКИВЫ И КРОНШТЕЙНЫ ДЛЯ УСТАНОВКИ ТОРСИОННОГО ВАЛА

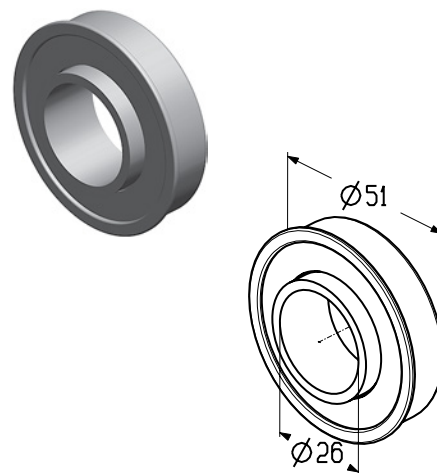


Подшипник

Предназначен для установки совместно с корпусом подшипника (BR0400).
Используется в гаражных воротах стандартного типа монтажа.

Вес, кг/шт. 0,112
Единица измерения шт.
Норма поставки, шт. 200

| Артикул | Код |
|---------|-----------|
| BB0401 | 403910000 |

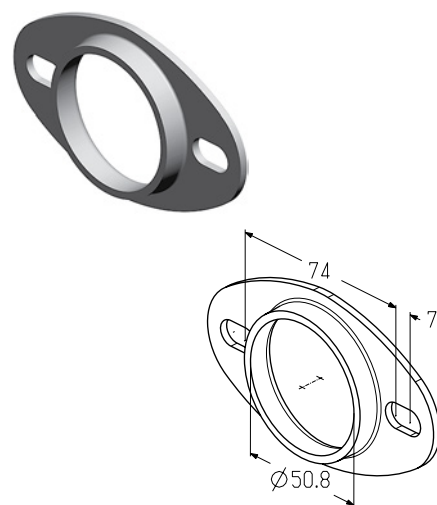


Корпус подшипника

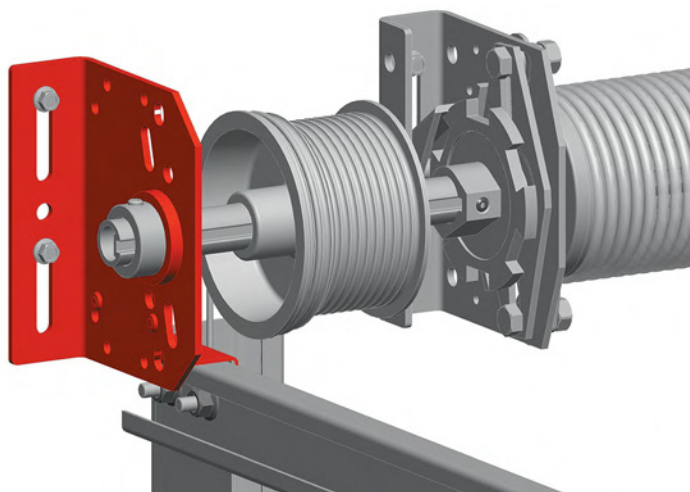
Предназначен для установки совместно с подшипником (BB0401).
Используется в гаражных воротах стандартного типа монтажа.

Материал оцинкованная сталь
Вес, кг/шт. 0,118
Единица измерения шт.
Норма поставки, шт. 200

| Артикул | Код |
|---------|-----------|
| BR0400 | 403920000 |



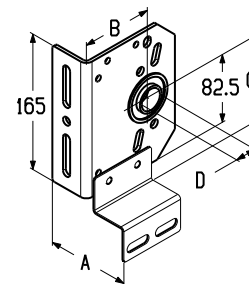
ШКИВЫ И КРОНШТЕЙНЫ ДЛЯ УСТАНОВКИ ТОРСИОННОГО ВАЛА



Кронштейн боковой левой Кронштейн боковой правой

Предназначен для крепления торсионного вала к проему и профилю угловому.
Применяется для промышленных ворот с одновальным системой балансировки.

Диаметр вала, мм 25,4
Материал оцинкованная сталь
Единица измерения шт.
Норма поставки, шт. 15



| Артикул | Кодц | Основные размеры | | | Диаметр вала, мм | Вес, кг/шт. | Примечание |
|----------|-----------|------------------|--------|-------|------------------|-------------|---|
| | | А, мм | В*, мм | С, мм | | | |
| TBI510ML | 403422900 | 93 | 86 | 72,5 | 25,40 | 0,905 | • для промышленных ворот стандартного и наклонного типов монтажа |
| TBI510MR | 403423000 | | | | | | |
| TBI520ML | 403423100 | 93 | 111 | 72,5 | 25,40 | 0,932 | |
| TBI520MR | 403423200 | | | | | | |
| TBI530ML | 403423300 | 93 | 111 | 82,5 | 25,40 | 0,932 | |
| TBI530MR | 403423400 | | | | | | |
| TBI560ML | 403423500 | 93 | 127 | 142,5 | 25,40 | 1,056 | |
| TBI560MR | 403423600 | | | | | | |
| TBI580L | 403422300 | 93 | 152 | 142,5 | 31,75 | 1,550 | |
| TBI580R | 403422400 | | | | | | |
| TBI540ML | 403423700 | 93 | 111 | 105,5 | 25,40 | 0,932 | • для гаражных ворот высокого типа монтажа; • для промышленных ворот стандартного, наклонного типов монтажа, наклонного высокого с верхним расположением вала, высокого с верхним расположением вала типов монтажа |
| TBI540MR | 403423800 | | | | | | |
| TBI550ML | 403423900 | 113 | 127 | 124,5 | 25,40 | 1,049 | • для гаражных ворот высокого типа монтажа; • для промышленных ворот высокого, наклонного высокого, вертикального типов монтажа с верхним расположением вала |
| TBI550MR | 403424000 | | | | | | |
| TBI570ML | 403424100 | 128 | 152 | 144,5 | 25,40 | 1,455 | • для промышленных ворот высокого, наклонного высокого, вертикального типов монтажа с верхним расположением вала |
| TBI570MR | 403424200 | | | | | | |
| TBI590L | 403422500 | 128 | 152 | 144,5 | 31,75 | 1,590 | |
| TBI590R | 403422600 | | | | | | |

* Расстояние от стены до оси вала.

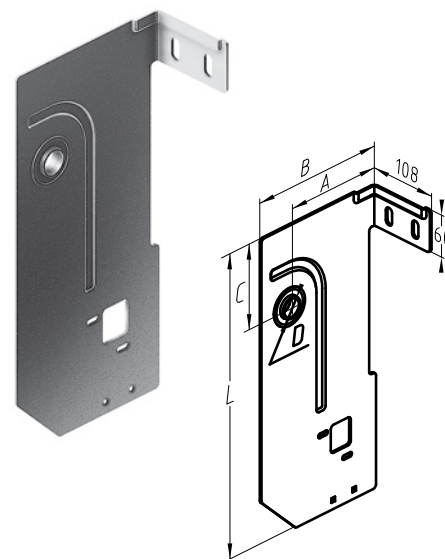
ШКИВЫ И КРОНШТЕЙНЫ ДЛЯ УСТАНОВКИ ТОРСИОННОГО ВАЛА

Кронштейн опорный для вала

Предназначен для крепления торсионного вала к проему и профилю угловому.
Используется в промышленных воротах низкого с передним расположением вала типом монтажа с одновальной системой балансировки.

Материал оцинкованная сталь
Единица измерения шт.
Норма поставки, шт. 1

| Артикул | Код | Вес, кг/шт. | Основные размеры | | | | Диаметр (d), мм |
|----------|-----------|----------------|------------------|-----|-----|-----|--------------------|
| | | | A | B | C | L | |
| TBI-600R | 403424400 | 1,212 | 86 | 125 | 80 | 330 | 25,6 |
| TBI-600L | 403424300 | 1,212 | 86 | 125 | 80 | 330 | 25,6 |
| TBI-610R | 403424600 | 1,616 | 111 | 150 | 115 | 425 | 25,6 |
| TBI-610L | 403424500 | 1,616 | 111 | 150 | 115 | 425 | 25,6 |
| TBI-630R | 406136698 | 2,222 | 152 | 200 | 115 | 435 | 25,6 |
| TBI-630L | 406136697 | 2,222 | 152 | 200 | 115 | 435 | 25,6 |
| TBI-640R | 406136700 | 2,222 | 152 | 200 | 115 | 435 | 31,75 |
| TBI-640L | 406136699 | 2,222 | 152 | 200 | 115 | 435 | 31,75 |



1.1

1.2

1.3

1.4

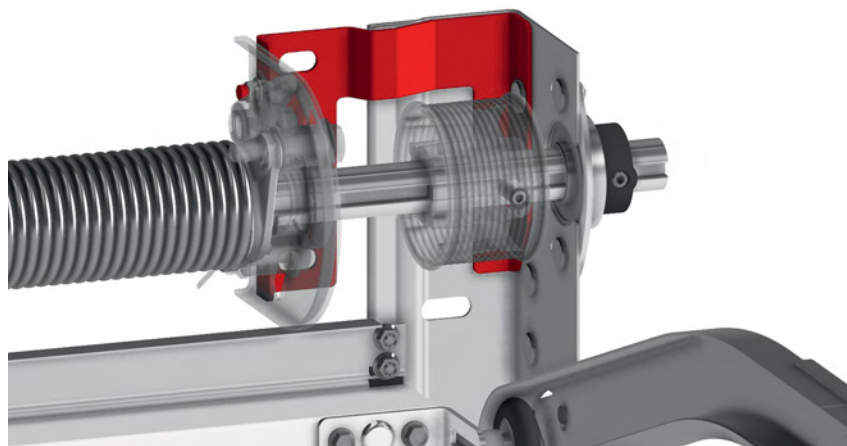
1.5

2

3

4

ШКИВЫ И КРОНШТЕЙНЫ ДЛЯ УСТАНОВКИ ТОРСИОННОГО ВАЛА

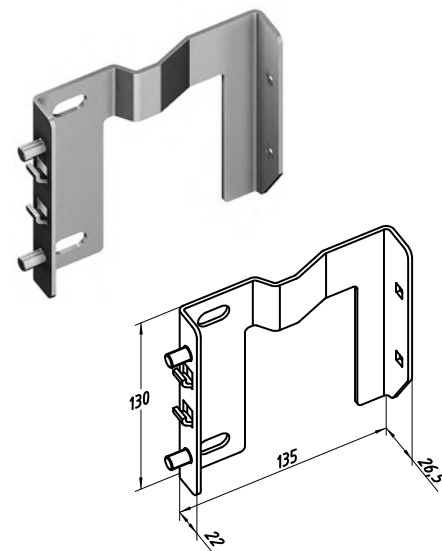


Кронштейн

Предназначен для соединения предохранительной храповой муфты (SBD-TL, SBD-TR) и профиля углового (PRG02NL / R).

Используется в гаражных воротах стандартного типа монтажа.

Материал оцинкованная сталь
 Вес, кг/шт. 0,311
 Единица измерения шт.
 Норма поставки, шт. 72



| Артикул | Код |
|---------|-----------|
| TBG816L | 406136715 |
| TBG816R | 406136716 |

ШКИВЫ И КРОНШТЕЙНЫ ДЛЯ УСТАНОВКИ ТОРСИОННОГО ВАЛА



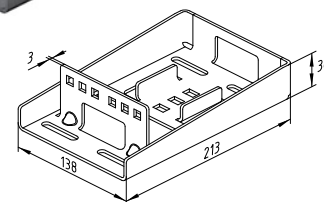
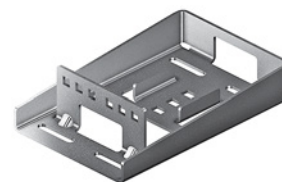
Кронштейн

Предназначен для крепления горизонтальных направляющих с мерной планкой и для крепления торсионного вала.

Используется в промышленных воротах низкого и наклонного низкого типов монтажа с одновальной системой балансировки.

Материал оцинкованная сталь
 Вес, кг/шт. 1,00
 Единица измерения шт.
 Норма поставки, шт. 18

| Артикул | Код |
|---------|-----------|
| ТВ1915 | 403422700 |



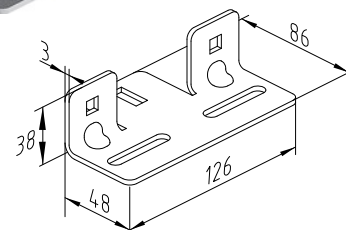
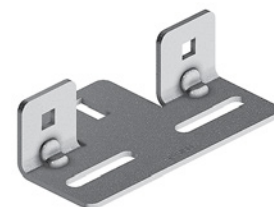
Кронштейн

Предназначен для крепления бокового кронштейна и телескопического подвеса к мерной планке.

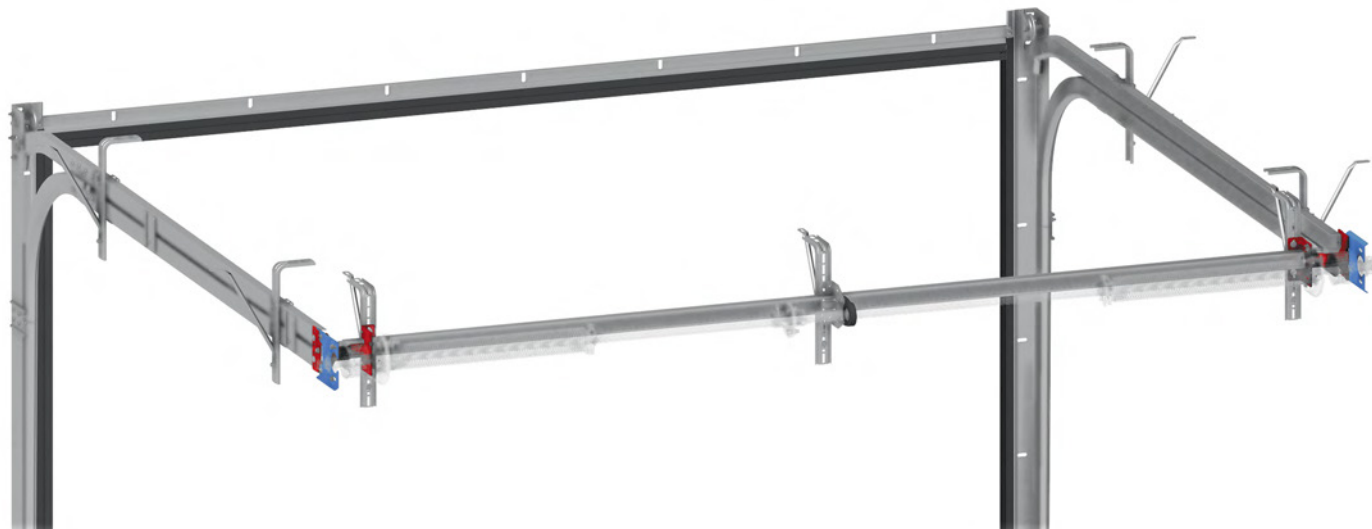
Используется в промышленных воротах низкого и наклонного низкого типов монтажа с одновальной системой балансировки.

Материал оцинкованная сталь
 Вес, кг/шт. 0,2
 Единица измерения шт.
 Норма поставки, шт. 120

| Артикул | Код |
|---------|-----------|
| ТВ1925 | 403422800 |



ШКИВЫ И КРОНШТЕЙНЫ ДЛЯ УСТАНОВКИ ТОРСИОННОГО ВАЛА

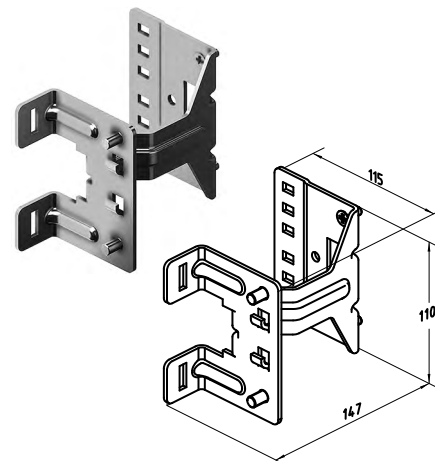


Кронштейн

Предназначен для крепления торсионного вала к мерной планке.
Используется в гаражных воротах низкого типа монтажа.

Материал оцинкованная сталь
Вес, кг/шт. 0,550
Единица измерения шт.
Норма поставки, шт. 1

| Артикул | Код |
|----------|-----------|
| TBP-916L | 406136717 |
| TBP-916R | 406136716 |

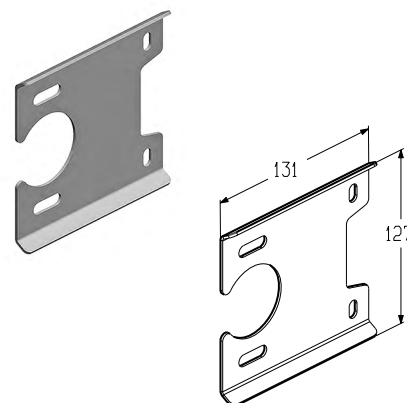


Кронштейн боковой

Предназначен для установки торсионного вала.
Применяется в гаражных воротах с торсионными пружинами низкого типа монтажа.

Диаметр вала, мм 25,4
Материал оцинкованная сталь
Вес, кг/шт. 0,158
Единица измерения шт.
Норма поставки, шт. 100

| Артикул | Код |
|----------|-----------|
| TBT-4503 | 403431300 |



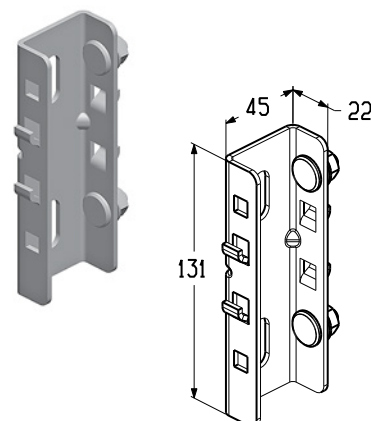
ШКИВЫ И КРОНШТЕЙНЫ ДЛЯ УСТАНОВКИ ТОРСИОННОГО ВАЛА

Кронштейн промежуточный

Предназначен для крепления муфты храповой предохранительной (SBD-TR/L) к проему.
Применяется в гаражных воротах с торсионными пружинами в количестве 3 и более при стандартном типе монтажа.

Материал оцинкованная сталь
Вес, кг/шт. 0,248
Единица измерения шт.
Норма поставки, шт. 108

| Артикул | Код |
|---------|-----------|
| IB-4508 | 403431700 |

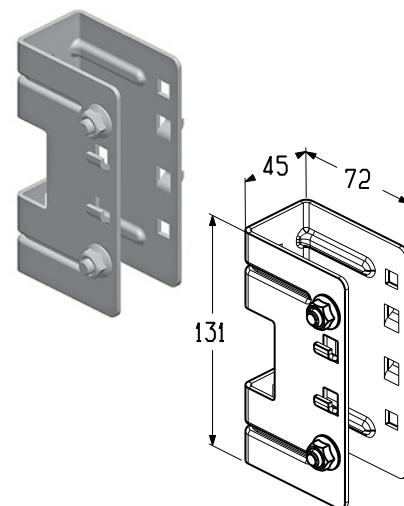


Кронштейн промежуточный

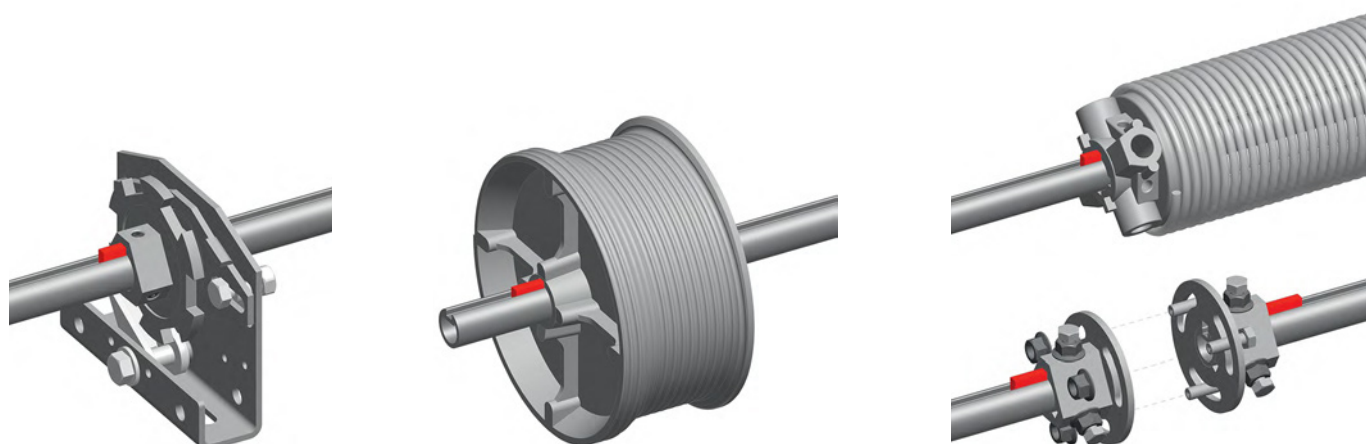
Предназначен для крепления муфты храповой предохранительной (SBD-TR/L) к мерной планке.
Применяется в гаражных воротах с торсионными пружинами в количестве 3 и более при низком типе монтажа.

Материал оцинкованная сталь
Вес, кг/шт. 0,397
Единица измерения шт.
Норма поставки, шт. 48

| Артикул | Код |
|---------|-----------|
| IB-4509 | 403431800 |



ШПОНКИ И КОЛЬЦА СТОПОРНЫЕ

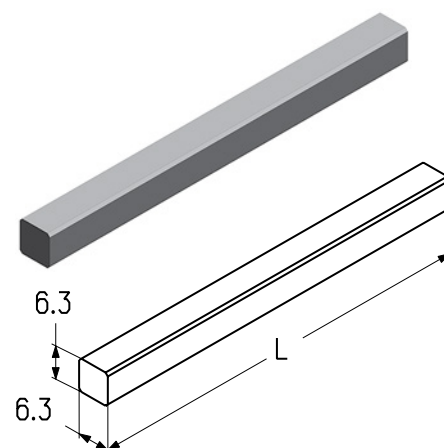


Шпонка

Предназначена для установки на вал сплошной (TSS, TSS-5/4).

Материал оцинкованная сталь
Единица измерения шт.

| Артикул | Код | Длина, мм | Вес, кг/шт. | Применение | Норма поставки, шт. |
|---------|-----------|-----------|-------------|--|---------------------|
| SKS-38 | 403970000 | 38 | 0,015 | Устанавливается в храповую и соединительную муфты | 1000 |
| SKS-75 | 403970100 | 75 | 0,026 | Устанавливается в барабан и наконечник пружинный (SF-95, SP-152, SP-152-5/4) | 800 |

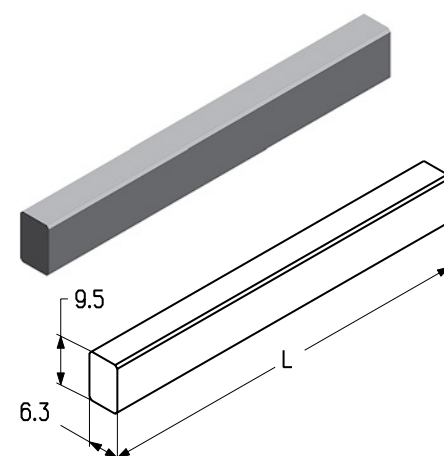


Шпонка

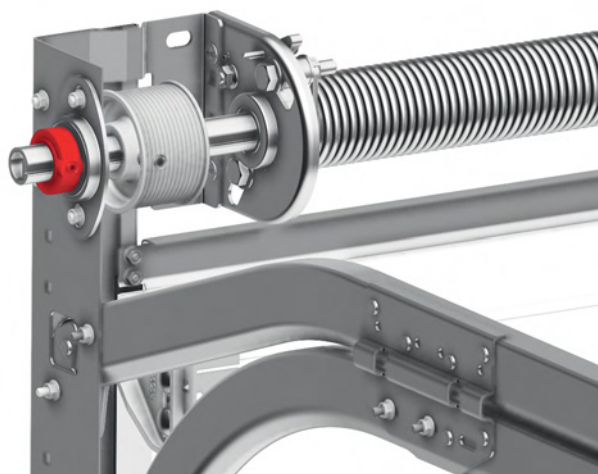
Предназначена для установки на вал пустотелый (TSH).

Материал оцинкованная сталь
Единица измерения шт.

| Артикул | Код | Длина, мм | Вес, кг/шт. | Применение | Норма поставки, шт. |
|---------|-----------|-----------|-------------|--|---------------------|
| SKH-38 | 403970200 | 38 | 0,18 | Устанавливается в храповую и соединительную муфты | 1200 |
| SKH-75 | 403970300 | 75 | 0,21 | Устанавливается в барабан и наконечник пружинный (SF-95, SP-152, SP-152-5/4) | 600 |

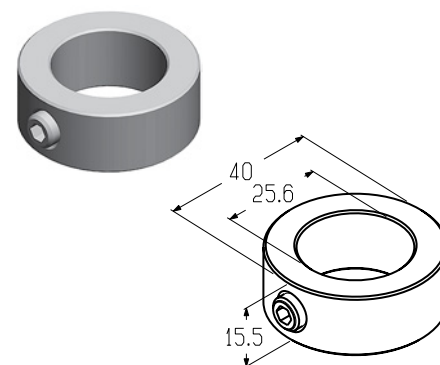


ШПОНКИ И КОЛЬЦА СТОПОРНЫЕ

**Кольцо**

Предназначено для установки на вал диаметром 25,4 мм промышленных ворот всех типов монтажа с одновальным системой балансировки.
Предотвращает осевое смещение вала.

Материал оцинкованная сталь
Вес, кг/шт. 0,1
Единица измерения шт.
Норма поставки, шт. 200

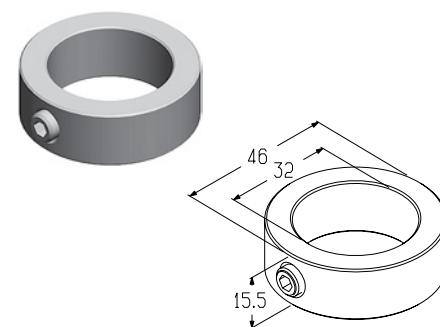


| Артикул | Код |
|---------|-----------|
| SCI-1 | 403960000 |

Кольцо

Предназначено для установки на вал диаметром 31,75 мм промышленных ворот всех типов монтажа с одновальным и двухвальным системами балансировки.
Предотвращает осевое смещение вала.

Материал оцинкованная сталь
Вес, кг/шт. 0,15
Единица измерения шт.
Норма поставки, шт. 100

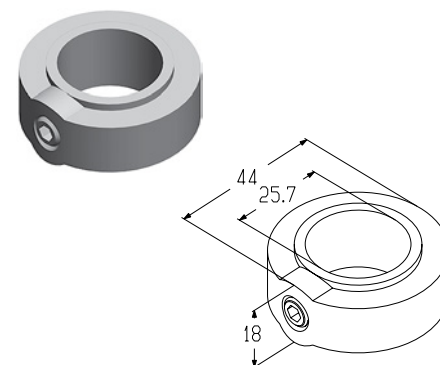


| Артикул | Код |
|---------|-----------|
| SCI-5/4 | 403960100 |

Кольцо

Предназначено для установки на вал диаметром 25,4 мм гаражных ворот всех типов монтажа.
Предотвращает осевое смещение вала.

Материал нейлон
Вес, кг/шт. 0,020
Единица измерения шт.
Норма поставки, шт. 200



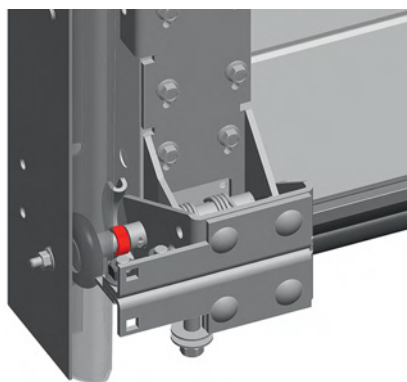
| Артикул | Код |
|---------|-----------|
| SCG-1 | 403960200 |

2

Дополнительная
комплектация

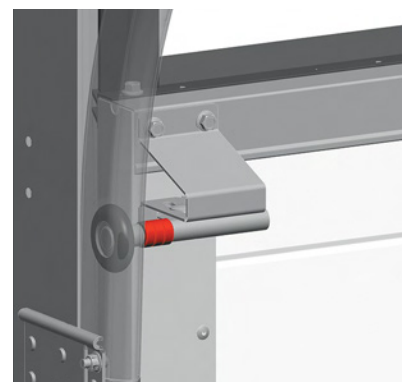
УСТАНОВКА КОЛЕЦ ДИСТАНЦИОННЫХ

КОЛЬЦО ДИСТАНЦИОННОЕ DR-11



Кронштейн нижний

КОЛЬЦО ДИСТАНЦИОННОЕ DR-12



Кронштейн боковой

Кольцо дистанционное

Предназначено для установки на ролики ходовые кронштейна нижнего (RBI446L/R, RBI446ML/R).

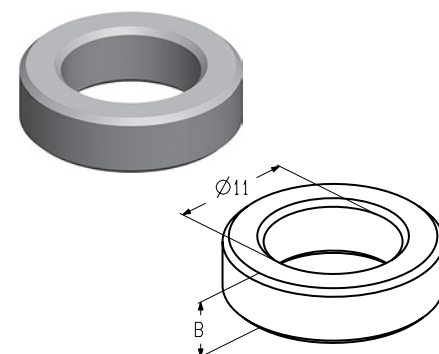
Используется в промышленных воротах всех типов монтажа.

Предназначено для установки на ось шкива.

Используется:

- в гаражных воротах низкого типа монтажа;
- в промышленных воротах низкого и наклонного низкого типов монтажа.

Внутренний диаметр, мм 11
 Материал оцинкованная сталь
 Единица измерения шт.
 Норма поставки, шт. 300



| Артикул | Код | Ширина (B), мм | Вес, кг/шт. |
|----------|-----------|----------------|-------------|
| DR-11-05 | 403960300 | 5 | 0,005 |
| DR-11-07 | 403960400 | 7 | 0,007 |
| DR-11-10 | 403960500 | 10 | 0,019 |

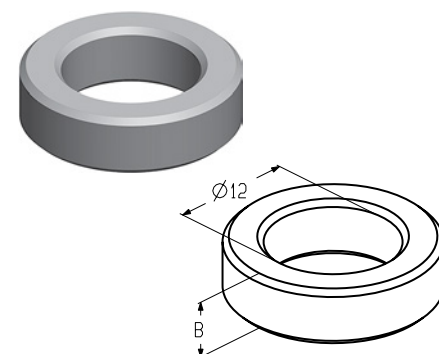
Кольцо дистанционное

Предназначено для установки на ролики ходовые кронштейна бокового (RBI-45.127) на верхнюю панель полотна ворот.

Используется:

- в гаражных воротах высокого типа монтажа;
- в промышленных воротах всех типов монтажа.

Внутренний диаметр, мм 12
 Материал оцинкованная сталь
 Единица измерения шт.
 Норма поставки, шт. 200



| Артикул | Код | Ширина (B), мм | Вес, кг/шт. |
|----------|-----------|----------------|-------------|
| DR-12-05 | 403960600 | 5 | 0,004 |
| DR-12-07 | 403960700 | 7 | 0,006 |
| DR-12-10 | 403960800 | 10 | 0,008 |

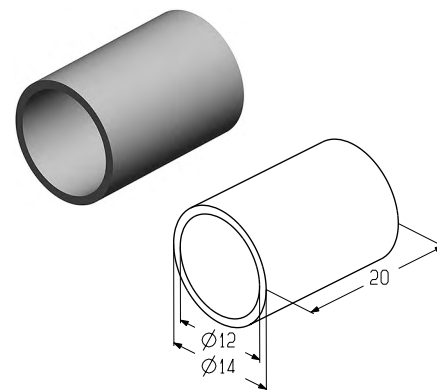
Втулка

Предназначена для предохранения троса от истирания.

Устанавливается на ролики ходовые первого и второго снизу кронштейна бокового (RBI123).

Используется в промышленных воротах высокого, вертикального, наклонного высокого типов монтажа с нижним расположением вала.

Материал ПВХ
 Вес, кг/шт. 0,154
 Единица измерения шт.
 Норма поставки, шт. 50



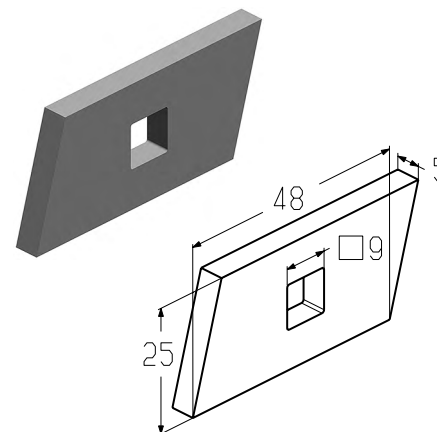
| Артикул | Код |
|---------|-----------|
| 10500 | 403900000 |

Пластина закладная

Предназначена для:

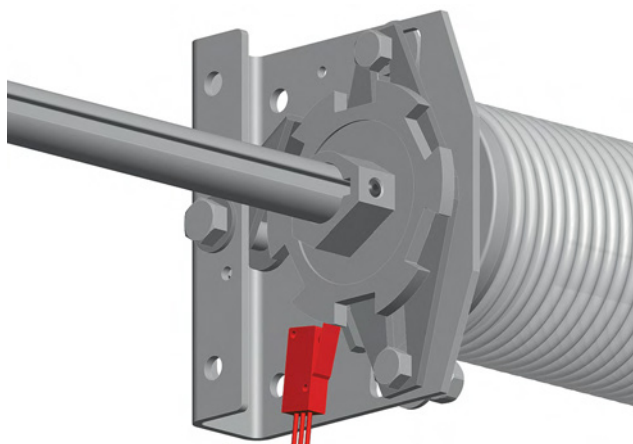
- крепления демпфера к горизонтальным направляющим в промышленных воротах всех типов монтажа;
- крепления блока (НКУ001) в гаражных воротах всех типов монтажа, промышленных воротах всех типов монтажа кроме вертикального, высокого, наклонного с нижним расположением вала.

Материал оцинкованная сталь
 Вес, кг/шт. 0,04
 Единица измерения шт.
 Норма поставки, шт. 100



| Артикул | Код |
|---------|-----------|
| CP0506 | 403900100 |

УСТАНОВКА ДАТЧИКОВ БЕЗОПАСНОСТИ



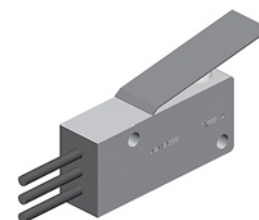
Микрореле

Предназначено для остановки электропривода при поломке пружины.

Устанавливается совместно с муфтой храповой предохранительной.

Используется в промышленных воротах всех типов монтажа.

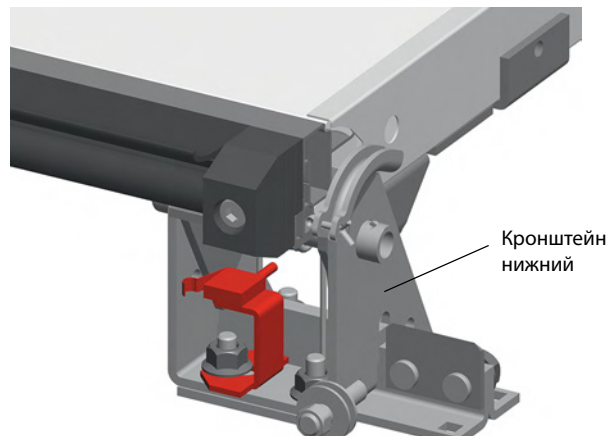
Вес, кг/шт. 0,03
 Единица измерения шт.
 Норма поставки, шт. 50



| Артикул | Код |
|---------|-----------|
| SS0402 | 403900200 |

УСТАНОВКА ДАТЧИКОВ БЕЗОПАСНОСТИ

РЕЛЕ SS446L/R



Кронштейн
нижний

Реле

Предназначено для остановки электропривода при обрыве троса. Устанавливается совместно с кронштейном нижним (RBI446L/R, RBI446ML/R, RBI-45.100L/R, RBI-45.110L/R, RBI-45.120L/R). Используется в промышленных воротах всех типов монтажа.

Вес, кг/шт. 0,6
Единица измерения шт.
Норма поставки, шт. 25

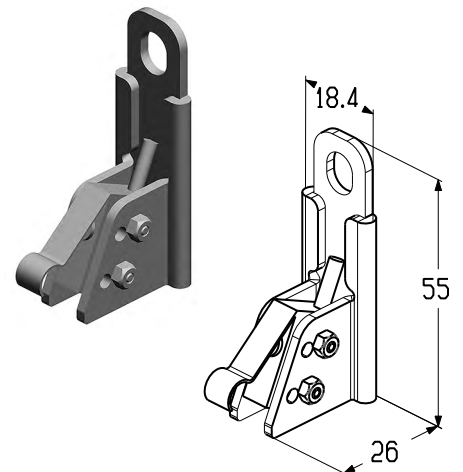


| Артикул | Код | Материал |
|---------|-----------|----------|
| SS446L | 403900300 | Левый |
| SS446R | 403900400 | Правый |

Реле

Вес, кг/шт. 0,03
Единица измерения шт.
Норма поставки, шт. ??

| Артикул | Код |
|-----------|-----------|
| SS-40.100 | 401200400 |

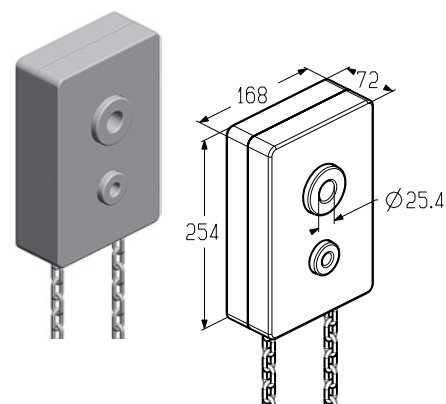


Редуктор цепной

Предназначен для подъема/опускания полотна ворот.
Используется в промышленных воротах всех типов монтажа.

Вес, кг/шт. 5
Единица измерения шт.
Норма поставки, шт. 1

| Артикул | Код |
|---------|-----------|
| CH0501 | 403900500 |

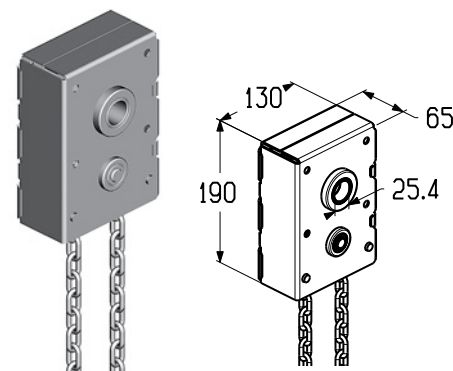


Редуктор цепной

Предназначен для подъема/опускания полотна ворот.
Используется в гаражных воротах всех типов монтажа (кроме пружин растяжения).

Вес, кг 5,8
Единица измерения шт.
Норма поставки, шт. 1

| Артикул | Код |
|---------|-----------|
| CH-5013 | 403903000 |

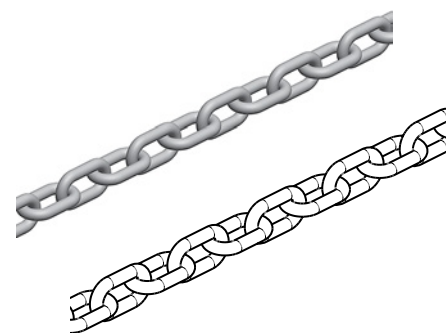


Цепь

Предназначена для удлинения цепи редуктора цепного (CH0501, CH-5013).
Используется в промышленных и гаражных воротах всех типов монтажа.

Материал оцинкованная сталь
Вес, кг/м 0,5
Единица измерения м
Норма поставки, м 25

| Артикул | Код |
|---------|-----------|
| C0502G | 418700130 |

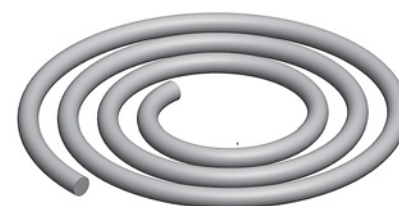


Веревка

Предназначена для опускания полотна ворот.
Используется в гаражных и промышленных воротах всех типов монтажа.

Вес, кг/м 0,04
Единица измерения м
Норма поставки, м 250

| Артикул | Код |
|---------|-----------|
| PR0503 | 403900700 |



УСТАНОВКА БЛОКА



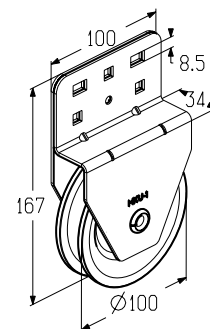
Блок

Предназначен для подъема/опускания полотна ворот.

Используется в гаражных и промышленных воротах всех типов монтажа.

| | |
|--------------------------|------|
| Вес, кг/шт. | 0,61 |
| Единица измерения | шт. |
| Норма поставки, шт. | 10 |

| Артикул | Код |
|---------|-----------|
| HKU001 | 403900800 |



Петля

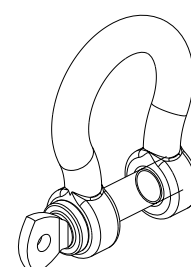
Предназначена для крепления веревки (PR0503) к профилю угловому.

Используется:

- в гаражных воротах высокого типа монтажа;
- в промышленных воротах всех типов монтажа кроме низкого и наклонного низкого.

| | |
|--------------------------|--------------------|
| Материал | оцинкованная сталь |
| Вес, кг/шт. | 0,04 |
| Единица измерения | шт. |
| Норма поставки, шт. | 100 |

| Артикул | Код |
|---------|-----------|
| S0504 | 403900900 |



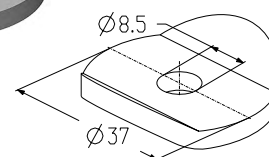
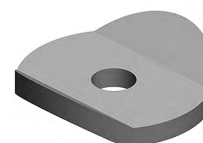
Крепление

Предназначено для крепления веревки (PR0503) к кронштейну нижнему (RBI446L/R, RBI446ML/R, RBI-45.100L/R, RBI-45.110L/R, RBI-45.120L/R).

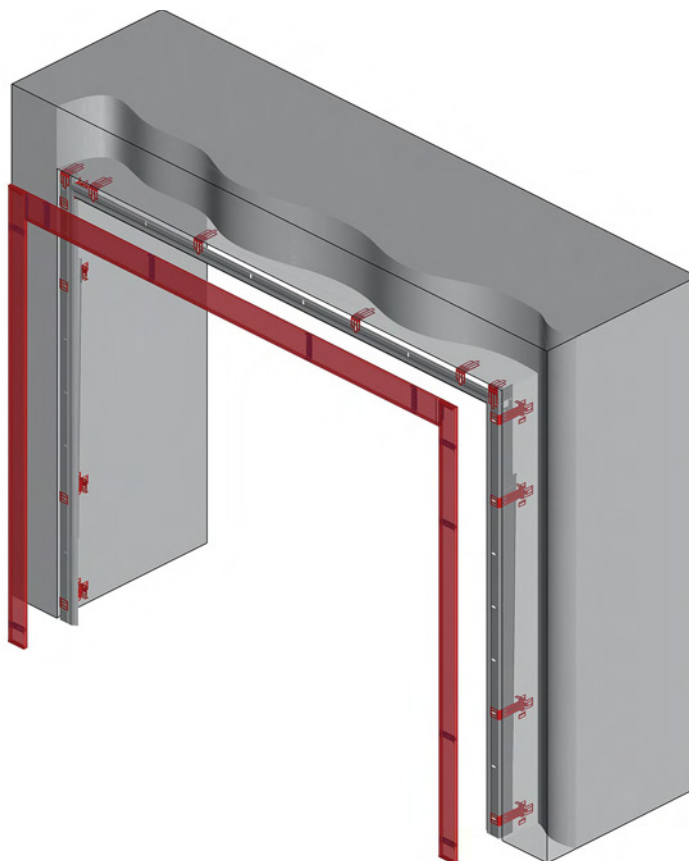
Используется в промышленных воротах всех типов монтажа.

| | |
|--------------------------|--------------------|
| Материал | оцинкованная сталь |
| Вес, кг/шт. | 0,04 |
| Единица измерения | шт. |
| Норма поставки, шт. | 100 |

| Артикул | Код |
|---------|-----------|
| RC0505 | 403901000 |



УСТАНОВКА КОМПЛЕКТА ВСТРОЕННОГО МОНТАЖА (МОНТАЖ В ПРОЕМ)



Комплект кронштейнов

Предназначен для крепления углового профиля (PRG32LL/R, PRG02SL/R, PRG02LL/R) и профиля переднего (PRG05) к проему.

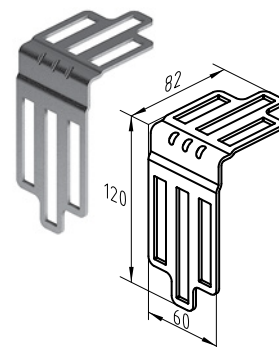
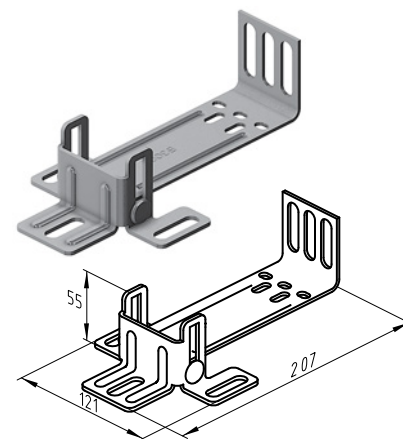
Входит в состав комплекта встроенного монтажа FWO100 и FWO145.

Используется в гаражных воротах с торсионными пружинами низкого типа монтажа и гаражных воротах с пружинами растяжения.

Состав комплекта:

- кронштейн для крепления углового профиля (8 шт.);
- кронштейн для крепления профиля переднего (6 шт.).

Вес, кг/шт. 4,028
 Единица измерения шт.
 Норма поставки, шт. 1



| Артикул | Код |
|-------------|-----------|
| FWO100/145B | 402950700 |

УСТАНОВКА КОМПЛЕКТА ВСТРОЕННОГО МОНТАЖА (МОНТАЖ В ПРОЕМ)

Комплект крепежный

Предназначен для крепления комплекта нащельников (FWO100C) к угловому профилю (PRG32LL/R, PRG02SL/R, PRG02LL/R). Входит в состав комплекта встроенного монтажа FWO100.

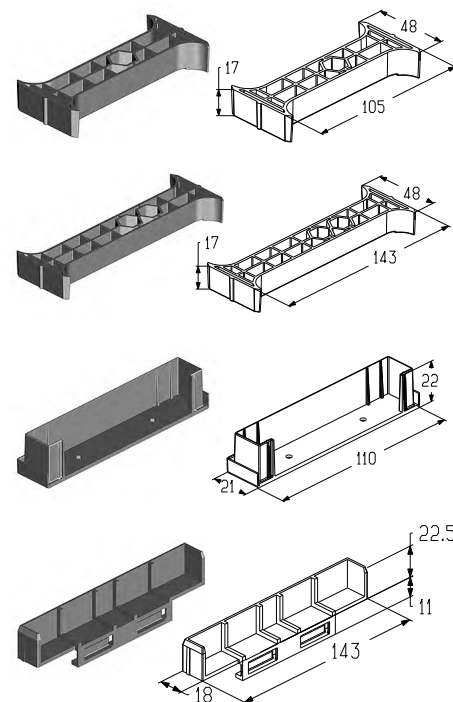
Используется в гаражных воротах с торсионными пружинами низкого типа монтажа и гаражных воротах с пружинами растяжения.

Состав комплекта:

- сухарь для крепления боковых нащельников (8 шт.);
- сухарь для крепления профиля переднего (4 шт.);
- заглушка для нащельников (4 шт.);
- заглушка для верхнего нащельника (2 шт.).

Вес, кг/шт. 0,529
Единица измерения шт.
Норма поставки, шт. 1

| Артикул | Код |
|---------|-----------|
| FWO100F | 402950800 |



Комплект крепежный

Предназначен для крепления комплекта нащельников (FWO145C) к угловому профилю (PRG32LL/R, PRG02SL/R, PRG02LL/R). Входит в состав комплекта встроенного монтажа FWO145.

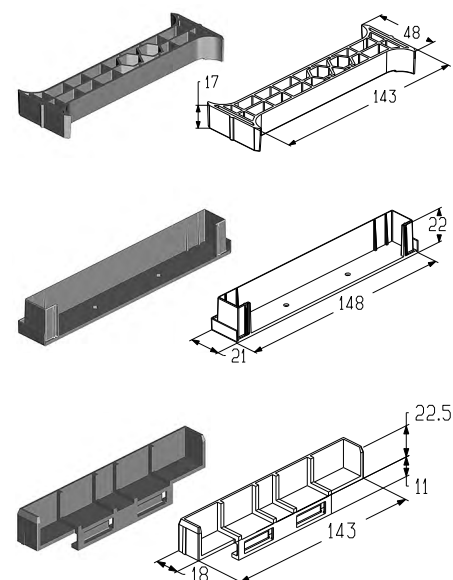
Используется в гаражных воротах с торсионными пружинами низкого типа монтажа и гаражных воротах с пружинами растяжения.

Состав комплекта:

- сухарь для крепления верхнего и боковых нащельников (12 шт.);
- заглушка для нащельников (4 шт.);
- заглушка для верхнего нащельника (2 шт.).

Вес, кг/шт. 0,584
Единица измерения шт.
Норма поставки, шт. 1

| Артикул | Код |
|---------|-----------|
| FWO145F | 402951200 |



УСТАНОВКА КОМПЛЕКТА ВСТРОЕННОГО МОНТАЖА (МОНТАЖ В ПРОЕМ)

Комплект нащельников

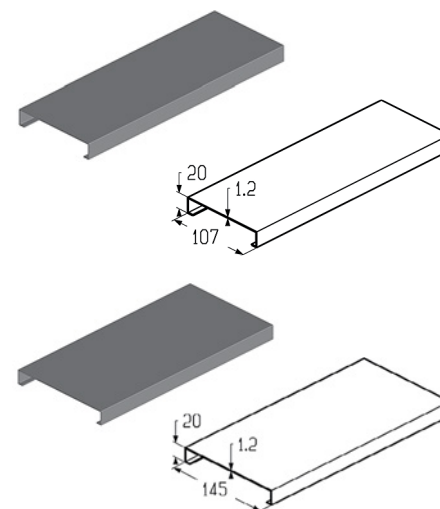
Предназначен для установки совместно с угловым профилем (PRG32LL/R, PRG02SL/R, PRG02LL/R).
Входит в состав комплекта встроенного монтажа FWO100.

Используется в гаражных воротах с торсионными пружинами низкого типа монтажа и гаражных воротах с пружинами растяжения.

Состав комплекта:

- профиль воротный арт. PRD33 (боковой нащельник 2 шт.);
- профиль воротный арт. PRD34 (верхний нащельник 1 шт.).

Материал Алюминий
 Покрытие Полимерное
 Цвет RAL 9016, RAL 8017, RAL 8014, ADS703
 Единица измерения К-Т
 Норма поставки, к-т 1



| Артикул | Код |
|---------|-----------|
| FWO100C | 402950900 |

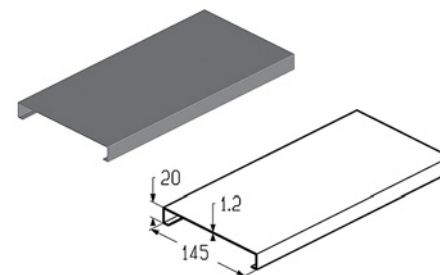
Комплект нащельников

Предназначен для установки совместно с угловым профилем (PRG32LL/R, PRG02SL/R, PRG02LL/R).
Входит в состав комплекта встроенного монтажа FWO145.

Используется в гаражных воротах низкого типа монтажа и серии Standard.

Состав комплекта: профиль воротный арт. PRD34 (верхний нащельник 1 шт., боковой нащельник 2 шт.).

Материал Алюминий
 Покрытие Полимерное
 Цвет RAL 9016, RAL 8014, ADS703
 Единица измерения К-Т
 Норма поставки, к-т 1

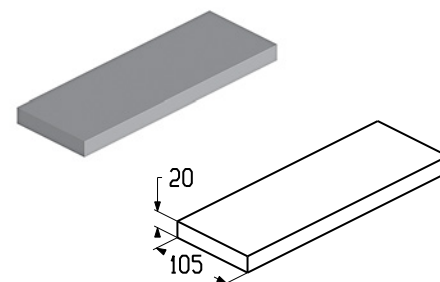


| Артикул | Код |
|---------|-----------|
| FWO145C | 402951300 |

Утеплитель

Предназначен для установки совместно с комплектом нащельников (FWO100C — профиль воротный арт. PRD33).

Материал вспененный полиэтилен
 Вес, кг/м 0,07
 Единица измерения м
 Норма поставки, м 50

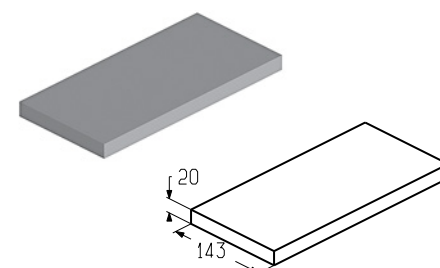


| Артикул | Код |
|---------|-----------|
| FWO100H | 402951700 |

Утеплитель

Предназначен для установки совместно с комплектом нащельников (FWO145C).

Материал 50



| Артикул | Код |
|---------|-----------|
| FWO145H | 402951800 |

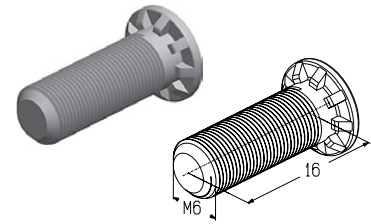
З

Метизы

Болт М6×16

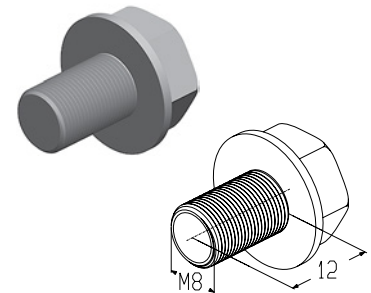
| | |
|--------------------------|--------------------|
| Резьба | M6 |
| Длина, мм | 16 |
| Материал | оцинкованная сталь |
| Вес, кг/шт. | 0,007 |
| Единица измерения | шт. |
| Норма поставки, шт. | 5000 |

| Артикул | Код |
|---------|-----------|
| M6×16BP | 408320100 |

**Болт**

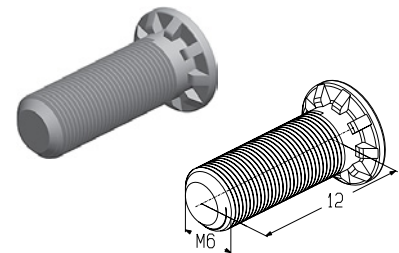
| | |
|--------------------------|--------------------|
| Резьба | M8 |
| Длина, мм | 12 |
| Материал | оцинкованная сталь |
| Вес, кг/шт. | 0,01 |
| Единица измерения | шт. |
| Норма поставки, шт. | 1800 |

| Артикул | Код |
|---------|-----------|
| M8×12B | 408320300 |

**Пресс-болт**

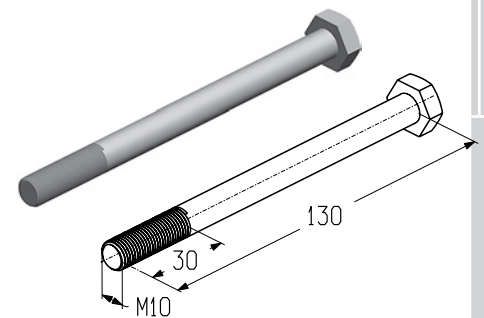
| | |
|--------------------------|--------------------|
| Резьба | M6 |
| Длина, мм | 12 |
| Материал | оцинкованная сталь |
| Вес, кг/шт. | 0,024 |
| Единица измерения | шт. |
| Норма поставки, шт. | 10 000 |

| Артикул | Код |
|---------|-----------|
| M6×12BP | 408320500 |

**Болт М10×130**

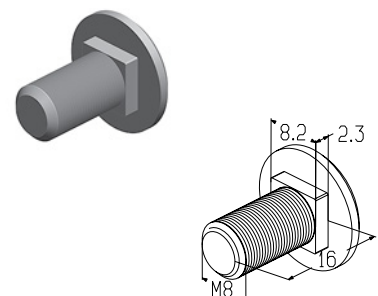
| | |
|--------------------------|--------------------|
| Резьба | M10 |
| Длина, мм | 130 |
| Материал | оцинкованная сталь |
| Вес, кг/шт. | 0,04 |
| Единица измерения | шт. |
| Норма поставки, шт. | 260 |

| Артикул | Код |
|----------|-----------|
| M10×130B | 408320700 |

**Болт М8×16**

| | |
|--------------------------|--------------------|
| Резьба | M8 |
| Длина, мм | 16 |
| Материал | оцинкованная сталь |
| Вес, кг/шт. | 0,006 |
| Единица измерения | шт. |
| Норма поставки, шт. | 2500 |

| Артикул | Код | Материал |
|-------------|-----------|--------------------|
| M8×16BKL | 408320800 | Оцинкованная сталь |
| M8×16BKL-SS | 408310400 | Нержавеющая сталь |



1.1

1.2

1.3

1.4

1.5

2

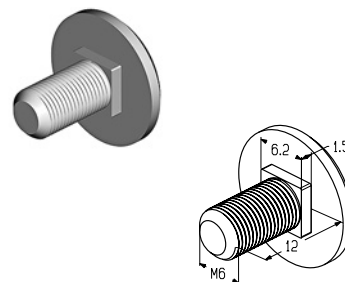
3

4

Болт

| | |
|--------------------------|-------|
| Резьба | M6 |
| Длина, мм | 12 |
| Вес, кг/шт. | 0,008 |
| Единица измерения | шт. |
| Норма поставки, шт. | 3000 |

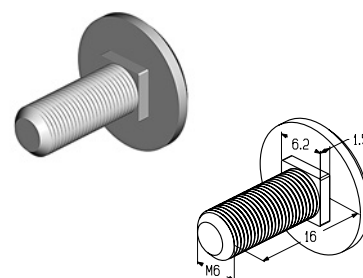
| Артикул | Код | Материал |
|-------------|-----------|--------------------|
| M6×12BKL | 408321000 | Оцинкованная сталь |
| M6×12BKL-SS | 408310100 | Нержавеющая сталь |



Болт

| | |
|--------------------------|-------|
| Резьба | M6 |
| Длина, мм | 16 |
| Вес, кг/шт. | 0,006 |
| Единица измерения | шт. |
| Норма поставки, шт. | 3500 |

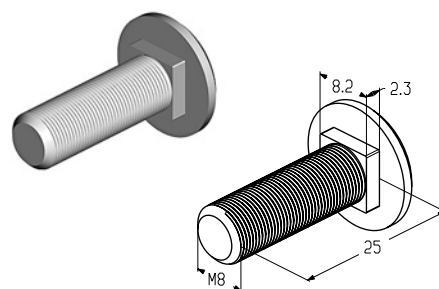
| Артикул | Код | Материал |
|-------------|-----------|--------------------|
| M6×16BKL | 408310200 | Оцинкованная сталь |
| M6×16BKL-SS | 408310300 | Нержавеющая сталь |



Болт

| | |
|--------------------------|------|
| Резьба | M8 |
| Длина, мм | 25 |
| Вес, кг/шт. | 0,01 |
| Единица измерения | шт. |
| Норма поставки, шт. | 1500 |

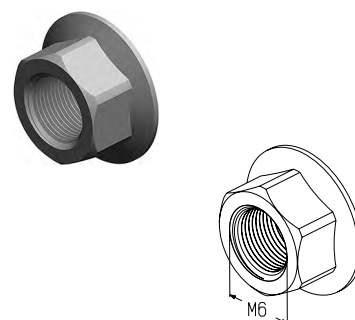
| Артикул | Код | Материал |
|-------------|-----------|--------------------|
| M8×25BKL | 408310500 | Оцинкованная сталь |
| M8×25BKL-SS | 408310600 | Нержавеющая сталь |



Гайка M6

| | |
|-------------------------|-------|
| Резьба | M6 |
| Вес, кг/шт. | 0,003 |
| Единица измерения | шт. |

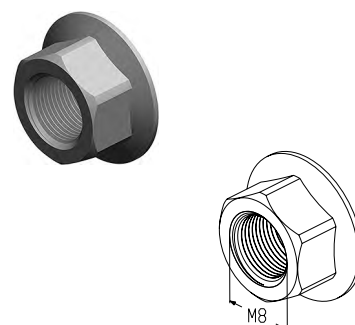
| Артикул | Код | Материал |
|---------|-----------|--------------------|
| M6N | 408120100 | Оцинкованная сталь |
| M6N-SS | 408110000 | Нержавеющая сталь |



Гайка M8

| | |
|--------------------------|-------|
| Резьба | M8 |
| Вес, кг/шт. | 0,007 |
| Единица измерения | шт. |
| Норма поставки, шт. | 3500 |

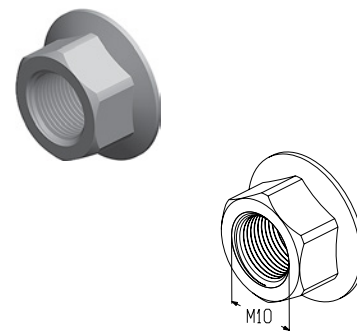
| Артикул | Код | Материал |
|---------|-----------|--------------------|
| M8N | 408120200 | Оцинкованная сталь |
| M8N-SS | 408110100 | Нержавеющая сталь |



Гайка M10

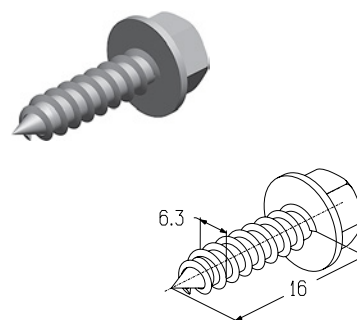
| | |
|--------------------------|--------------------|
| Резьба | M10 |
| Материал | оцинкованная сталь |
| Вес, кг/шт. | 0,013 |
| Единица измерения | шт. |
| Норма поставки, шт. | 2000 |

| Артикул | Код |
|---------|-----------|
| M10N | 408120300 |

**Винт самонарезающий 6,3 × 16**

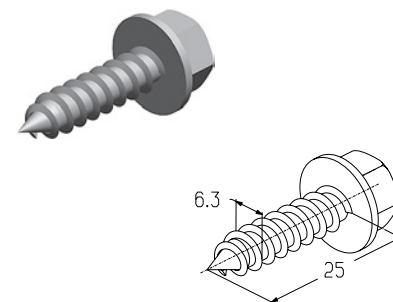
| | |
|--------------------------|-------|
| Диаметр, мм | 6,3 |
| Длина, мм | 16 |
| Вес, кг/шт. | 0,006 |
| Единица измерения | шт. |
| Норма поставки, шт. | 3500 |

| Артикул | Код | Материал |
|------------|-----------|--|
| 6,3×16S | 408020100 | Оцинкованная сталь с антикоррозийной химической конверсионной пленкой и термообработанным керамическим слоем |
| 6,3×16S-SS | 408010200 | Нержавеющая сталь |

**Винт самонарезающий 6,3 × 25**

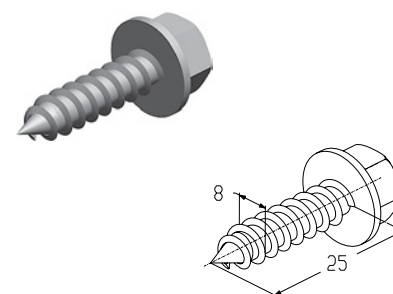
| | |
|--------------------------|-------|
| Диаметр, мм | 6,3 |
| Длина, мм | 25 |
| Вес, кг/шт. | 0,008 |
| Единица измерения | шт. |
| Норма поставки, шт. | 2000 |

| Артикул | Код | Материал |
|------------|-----------|--|
| 6,3×25S-SS | 408010000 | Нержавеющая сталь |
| 6,3×25s | 408010100 | Оцинкованная сталь с антикоррозийной химической конверсионной пленкой и термообработанным керамическим слоем |

**Винт самонарезающий**

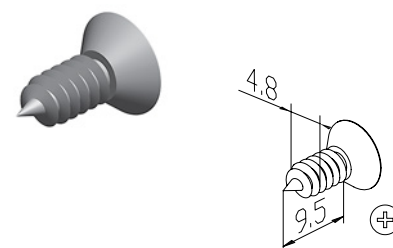
| | |
|--------------------------|--------------------|
| Диаметр, мм | 8 |
| Длина, мм | 25 |
| Материал | оцинкованная сталь |
| Вес, кг/шт. | 0,0014 |
| Единица измерения | шт. |
| Норма поставки, шт. | 1000 |

| Артикул | Код |
|---------|-----------|
| 8×25S | 408020200 |

**Винт самонарезающий DIN7982**

| | |
|--------------------------|--------------------|
| Диаметр, мм | 4,8 |
| Длина, мм | 9,5 |
| Материал | оцинкованная сталь |
| Вес, кг/шт. | 0,25 |
| Единица измерения | шт. |
| Норма поставки, шт. | 13000 |

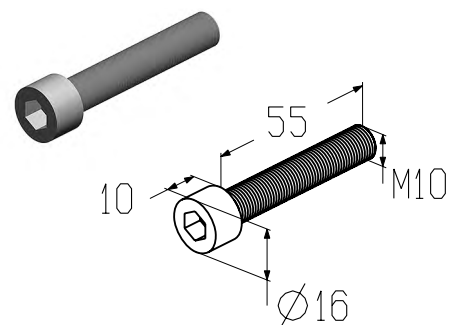
| Артикул | Код |
|------------|-----------|
| 4,8×9,5SDX | 408620000 |



Винт DIN912

| | |
|--------------------------|--------------------|
| Резьба | M10 |
| Длина, мм | 55 |
| Материал | оцинкованная сталь |
| Вес, кг/шт. | 0,02 |
| Единица измерения | шт. |
| Норма поставки, шт. | 1000 |

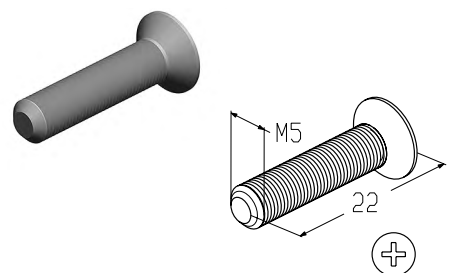
| Артикул | Код |
|------------|-----------|
| M10×55SCOL | 408020800 |



Винт DIN965

| | |
|--------------------------|--------------------|
| Резьба | M5 |
| Длина, мм | 22 |
| Материал | оцинкованная сталь |
| Вес, кг/шт. | 0,003 |
| Единица измерения | шт. |
| Норма поставки, шт. | 800 |

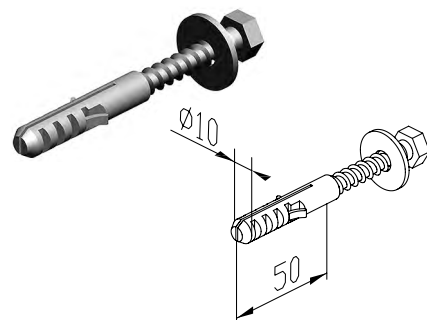
| Артикул | Код |
|----------|-----------|
| M5×22SDX | 408020900 |



Дюбель

| | |
|--------------------------|-----------------------------|
| Диаметр, мм | 10 |
| Длина, мм | 50 |
| Материал | нейлон / оцинкованная сталь |
| Вес, кг/шт. | 0,023 |
| Единица измерения | шт. |
| Норма поставки, шт. | 1000 |

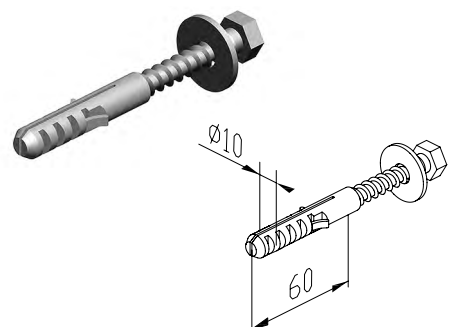
| Артикул | Код |
|---------|-----------|
| 10×50D | 408800100 |



Дюбель

| | |
|--------------------------|-----------------------------|
| Диаметр, мм | 10 |
| Длина, мм | 60 |
| Материал | нейлон / оцинкованная сталь |
| Вес, кг/шт. | 0,023 |
| Единица измерения | шт. |
| Норма поставки, шт. | 1000 |

| Артикул | Код |
|---------------|-----------|
| SXR 10×60 FUS | 408800600 |



4

Ремонтные узлы

ПРАВИЛА ПРИ ЗАКАЗЕ РЕМОНТНЫХ УЗЛОВ

| | |
|---|---|
|  |  |
| ООО "Алютех Воротные Системы" 220075, г. Минск, ул. Инженерная, 4-4. Тел.: +375 (017) 299-62-22 | |
| ВОРОТА СЕКЦИОННЫЕ ПОДЪЕМНЫЕ | |
| ТУ РБ 101452725.002-2000 | |
| Заказ: | 150114-6/ 758683 |
| Размер ворот, мм: | 2450X1990 |
| Масса полотна ворот, кг: | 69 |
| Заводской №: | 0114112002599 |
| Дата производства: | 27.01.2014 |
|  | |
| 4810845100193 | |

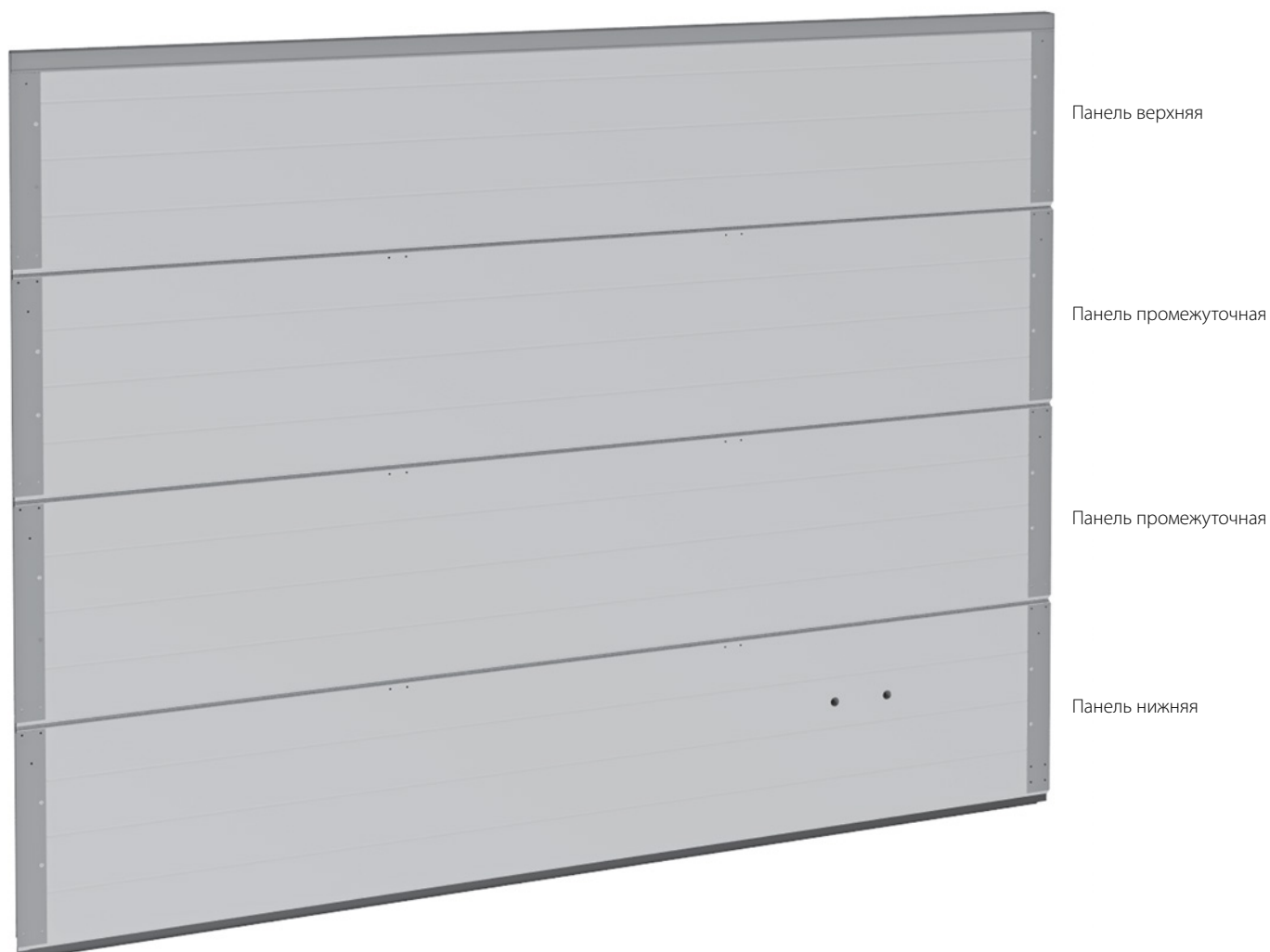
В данной части каталога размещена информация о типовых ремонтных узлах для секционных ворот. Ремонтный узел является индивидуальным изделием, т.к. заказывается для конкретных ворот. В каталоге представлен типовой состав каждого ремонта, который может изменяться (но в пределах описанного состава) в зависимости от ворот, для которых он предназначен.

ПРИ ЗАКАЗЕ РЕМОНТНОГО УЗЛА НЕОБХОДИМО УКАЗАТЬ:

1. Заводской номер ворот, указанный на табличке изделия.
2. Описание требуемого ремонтного узла.
3. Артикул и наименование ремонтного узла.

ПОЛОТНО ВОРОТ БЕЗ КАЛИТКИ

ТИПОВАЯ КОНСТРУКЦИЯ ПОЛОТНА ВОРОТ БЕЗ КАЛИТКИ



1.1

1.2

1.3

1.4

1.5

2

3

4

ПОЛОТНО ВОРОТ БЕЗ КАЛИТКИ



Полотно воротное

Тип ворот:

- гаражные ворота Prestige с торсионными пружинами без калитки всех типов монтажа;
- гаражные ворота Prestige с пружинами растяжения;
- промышленные ворота ProPlus без калитки всех типов монтажа.

Состав: сэндвич-панели с боковыми накладками, профиль усиливающий (при ширине ворот от 5 м) верхний и нижний концевой профиль, нижняя уплотнительная вставка, упоры нижние.

Единица измерения шт.

| Артикул | Тип полотна | Цвет* |
|---------|-------------------------------------|--|
| GLG-3 | Микроволна, S-гофр | RAL 9016, 8014, 9006, 5010, 1015, 3004, 6005, 8017, 7016, ADS703** |
| | L-гофр | RAL 9016, 8014, 7016, ADS703, ADS704** |
| | M-гофр | RAL 9016, 8014, 7016, ADS704** |
| | S-гофр, M-гофр и L-гофр | Золотой дуб, Темный дуб, Вишня |
| | Микроволна, S-гофр, M-гофр и L-гофр | Другой цвет по каталогу RAL |
| GLG-4 | Филенка | RAL 9016, 8014** |
| | | Золотой дуб, Темный дуб |
| | | Другой цвет по каталогу RAL |

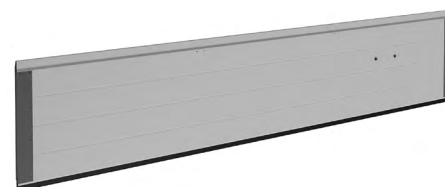
Панель нижняя

Тип ворот:

- гаражные ворота Prestige с торсионными пружинами без калитки всех типов монтажа;
- гаражные ворота Prestige с пружинами растяжения;
- промышленные ворота ProPlus без калитки всех типов монтажа.

Состав: нижняя сэндвич-панель с боковыми накладками, профиль усиливающий (при ширине ворот от 5 м) нижний концевой профиль, нижняя уплотнительная вставка, упоры нижние.

Единица измерения шт.



| Артикул | Тип полотна | Цвет* |
|---------|-------------------------------------|--|
| LPU-27 | Микроволна, S-гофр | RAL 9016, 8014, 9006, 5010, 1015, 3004, 6005, 8017, 7016, ADS703** |
| | L-гофр | RAL 9016, 8014, 7016, ADS703, ADS704** |
| | M-гофр | RAL 9016, 8014, 7016, ADS704** |
| | S-гофр, M-гофр и L-гофр | Золотой дуб, Темный дуб, Вишня |
| | Микроволна, S-гофр, M-гофр и L-гофр | Другой цвет по каталогу RAL |
| LPF-1 | Филенка | RAL 9016, 8014** |
| | | Золотой дуб, Темный дуб |
| | | Другой цвет по каталогу RAL |

* Указанные цвета имеют близкое соответствие шкале RAL.

** Стандартные цвета.

Панель промежуточная

Тип ворот:

- гаражные ворота Prestige с торсионными пружинами без калитки всех типов монтажа;
- гаражные ворота Prestige с пружинами растяжения;
- промышленные ворота ProPlus без калитки всех типов монтажа.

Состав: промежуточная сэндвич-панель с боковыми накладками, профиль усиливающий (при ширине ворот от 5 м).

Единица измерения шт.



| Артикул | Тип полотна | Цвет* |
|---------|-------------------------------------|--|
| LPU-28 | Микроволна, S-гофр | RAL 9016, 8014, 9006, 5010, 1015, 3004, 6005, 8017, 7016, ADS703** |
| | L-гофр | RAL 9016, 8014, 7016, ADS703, ADS704** |
| | M-гофр | RAL 9016, 8014, 7016, ADS704** |
| | S-гофр, M-гофр и L-гофр | Золотой дуб, Темный дуб, Вишня |
| | Микроволна, S-гофр, M-гофр и L-гофр | Другой цвет по каталогу RAL |
| LPF-2 | Филенка | RAL 9016, 8014** |
| | | Золотой дуб, Темный дуб |
| | | Другой цвет по каталогу RAL |

Панель верхняя

Тип ворот:

- гаражные ворота Prestige с торсионными пружинами без калитки всех типов монтажа;
- гаражные ворота Prestige с пружинами растяжения;
- промышленные ворота ProPlus без калитки всех типов монтажа.

Состав: верхняя сэндвич-панель с боковыми накладками, профиль усиливающий (при ширине ворот от 5 м), верхний концевой профиль, верхний уплотнитель (Prestige высокий тип монтажа, ProPlus).

Единица измерения шт.



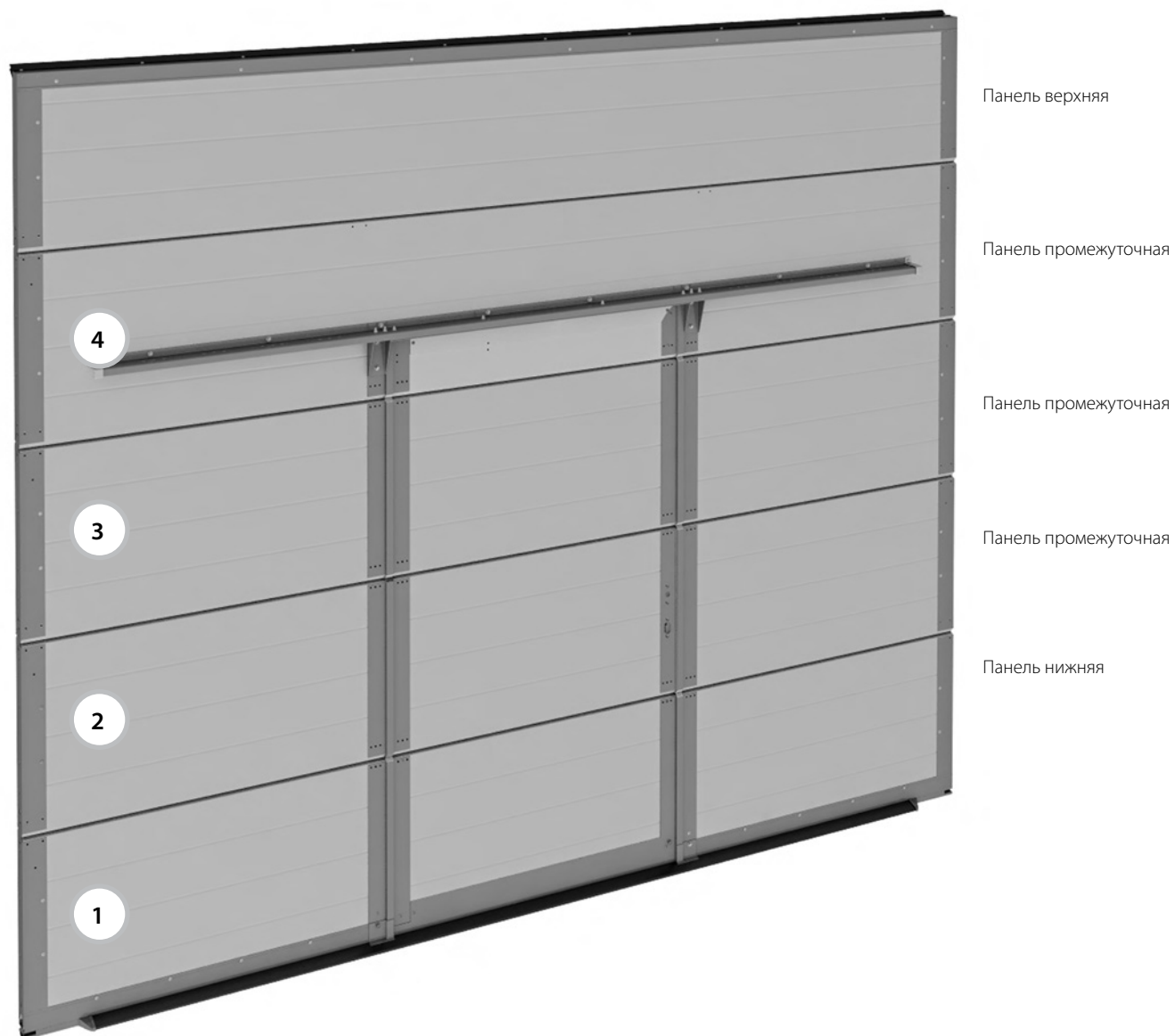
| Артикул | Тип полотна | Цвет* |
|---------|-------------------------------------|--|
| LPU-29 | Микроволна, S-гофр | RAL 9016, 8014, 9006, 5010, 1015, 3004, 6005, 8017, 7016, ADS703** |
| | L-гофр | RAL 9016, 8014, 7016, ADS703, ADS704** |
| | M-гофр | RAL 9016, 8014, 7016, ADS704** |
| | S-гофр, M-гофр и L-гофр | Золотой дуб, Темный дуб, Вишня |
| | Микроволна, S-гофр, M-гофр и L-гофр | Другой цвет по каталогу RAL |
| LPF-3 | Филенка | RAL 9016, 8014** |
| | | Золотой дуб, Темный дуб |
| | | Другой цвет по каталогу RAL |

* Указанные цвета имеют близкое соответствие шкале RAL.

** Стандартные цвета.

ПОЛОТНО ВОРОТ С КАЛИТКОЙ

ТИПОВАЯ КОНСТРУКЦИЯ ПОЛОТНА ВОРОТ СО ВСТРОЕННОЙ КАЛИТКОЙ
(на примере калитки с плоским порогом с правым открыванием)



ПОЛОТНО ВОРОТ С КАЛИТКОЙ

Полотно воротное

Тип ворот:

- гаражные ворота Prestige с торсионными пружинами всех типов монтажа;
- промышленные ворота ProPlus всех типов монтажа.

Тип калитки: с плоским порогом 20 мм, с низким порогом 100 мм, со стандартным порогом 145 мм.

Состав: сэндвич-панели с боковыми накладками, верхний и нижний концевые профили, нижняя уплотнительная вставка, комплект калиточных профилей и замок калитки, усиливающие профили калитки, упоры нижние.

Единица измерения шт.

| Артикул | Тип полотна | Цвет* | Применение |
|---------|-------------------------------------|--|-----------------------------|
| GLG-1 | Микроволна, S-гофр | RAL 9016, 8014, 9006, 5010, 1015, 3004, 6005, 8017, 7016, ADS703**, ADS704 | Для ворот с правой калиткой |
| | L-гофр | RAL 9016, 8014, 7016, ADS703, ADS704** | |
| | S-гофр, M-гофр и L-гофр | Золотой дуб, Темный дуб, Вишня | |
| | Микроволна, S-гофр, M-гофр и L-гофр | Другой цвет по каталогу RAL | |
| GLG-2 | Микроволна, S-гофр | RAL 9016, 8014, 9006, 5010, 1015, 3004, 6005, 8017, 7016, ADS703** | Для ворот с левой калиткой |
| | M-гофр | RAL 9016, 8014, 7016, ADS704** | |
| | S-гофр, M-гофр и L-гофр | Золотой дуб, Темный дуб, Вишня | |
| | Микроволна, S-гофр, M-гофр и L-гофр | Другой цвет по каталогу RAL | |



Калитка с плоским порогом 20 мм



Калитка с низким порогом 100 мм



Калитка со стандартным порогом 145 мм

* Указанные цвета имеют близкое соответствие шкале RAL.

** Стандартные цвета.

Панель нижняя

Тип ворот:

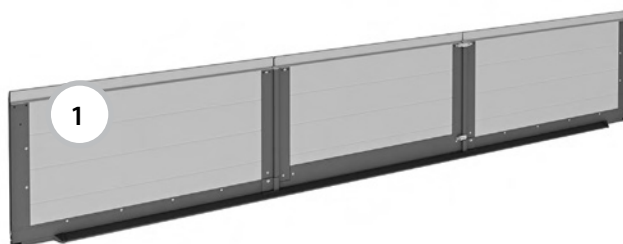
- гаражные ворота Prestige с торсионными пружинами всех типов монтажа;
- промышленные ворота ProPlus всех типов монтажа.

Тип калитки: с плоским порогом 20 мм, с низким порогом 100 мм, со стандартным порогом 145 мм.

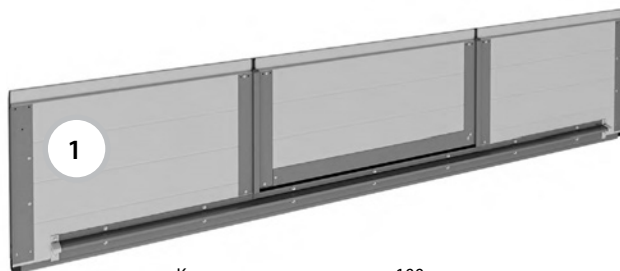
Состав: нижняя сэндвич-панель с боковыми накладками, нижний концевой профиль, нижняя уплотнительная вставка, комплект калиточных профилей для нижней панели, нижний усиливающий профиль калитки, упоры нижние.

Единица измерения шт.

| Артикул | Тип полотна | Цвет* | Применение |
|---------|-------------------------------------|--|-----------------------------|
| LPU-1 | Микроволна, S-гофр | RAL 9016, 8014, 9006, 5010, 1015, 3004, 6005, 8017, 7016, ADS703** | Для ворот с правой калиткой |
| | L-гофр | RAL 9016, 8014, 7016, ADS703, ADS704** | |
| | S-гофр, M-гофр и L-гофр | Золотой дуб, Темный дуб, Вишня | |
| | Микроволна, S-гофр, M-гофр и L-гофр | Другой цвет по каталогу RAL | |
| LPU-15 | Микроволна, S-гофр | RAL 9016, 8014, 9006, 5010, 1015, 3004, 6005, 8017, 7016, ADS703** | Для ворот с левой калиткой |
| | M-гофр | RAL 9016, 8014, 7016, ADS704** | |
| | S-гофр, M-гофр и L-гофр | Золотой дуб, Темный дуб, Вишня | |
| | Микроволна, S-гофр, M-гофр и L-гофр | Другой цвет по каталогу RAL | |



Калитка с плоским порогом 20 мм



Калитка с низким порогом 100 мм



Калитка со стандартным порогом 145 мм

* Указанные цвета имеют близкое соответствие шкале RAL.

** Стандартные цвета.

Панель нижняя

Тип ворот:

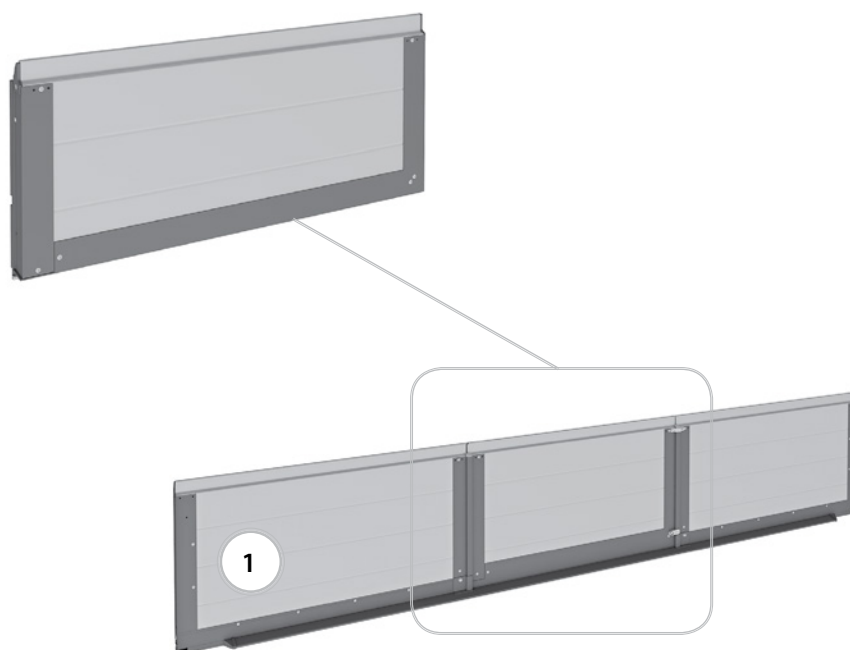
- гаражные ворота Prestige с торсионными пружинами всех типов монтажа;
- промышленные ворота ProPlus всех типов монтажа.

Тип калитки: с плоским порогом 20 мм, с низким порогом 100 мм, со стандартным порогом 145 мм.

Состав: нижняя панель калитки с установленными профилями калитки, нижний усиливающий профиль.

Единица измерения шт.

| Артикул | Тип полотна | Цвет* | Применение |
|---------|-------------------------------------|--|-----------------------------|
| LPU-3 | Микроволна, S-гофр | RAL 9016, 8014, 9006, 5010, 1015, 3004, 6005, 8017, 7016, ADS703** | Для ворот с правой калиткой |
| | L-гофр, M-гофр и L-гофр | RAL 9016, 8014, 7016, ADS703, ADS704** | |
| | S-гофр | Золотой дуб, Темный дуб, Вишня | |
| | Микроволна, S-гофр, M-гофр и L-гофр | Другой цвет по каталогу RAL | |
| LPU-17 | Микроволна, S-гофр | RAL 9016, 8014, 9006, 5010, 1015, 3004, 6005, 8017, 7016, ADS703** | Для ворот с левой калиткой |
| | M-гофр | RAL 9016, 8014, 7016, ADS704** | |
| | S-гофр, M-гофр и L-гофр | Золотой дуб, Темный дуб, Вишня | |
| | Микроволна, S-гофр, M-гофр и L-гофр | Другой цвет по каталогу RAL | |



* Указанные цвета имеют близкое соответствие шкале RAL.

** Стандартные цвета.

Панель нижняя

Тип ворот:

- гаражные ворота Prestige с торсионными пружинами всех типов монтажа;
- промышленные ворота ProPlus всех типов монтажа.

Тип калитки: с плоским порогом 20 мм, с низким порогом 100 мм, со стандартным порогом 145 мм.

Состав: нижняя панель калитки с установленными профилями калитки, нижний усиливающий профиль.

Единица измерения шт.

| Артикул | Тип полотна | Цвет* | Применение |
|---------|-------------------------------------|--|-----------------------------|
| LPU-30 | Микроволна, S-гофр | RAL 9016, 8014, 9006, 5010, 1015, 3004, 6005, 8017, 7016, ADS703** | Для ворот с правой калиткой |
| | L-гофр | RAL 9016, 8014, 7016, ADS703, ADS704** | |
| | S-гофр, M-гофр и L-гофр | Золотой дуб, Темный дуб, Вишня | |
| | Микроволна, S-гофр, M-гофр и L-гофр | Другой цвет по каталогу RAL | |
| LPU-40 | Микроволна, S-гофр | RAL 9016, 8014, 9006, 5010, 1015, 3004, 6005, 8017, 7016, ADS703** | Для ворот с левой калиткой |
| | M-гофр | RAL 9016, 8014, 7016, ADS704** | |
| | S-гофр, M-гофр и L-гофр | Золотой дуб, Темный дуб, Вишня | |
| | Микроволна, S-гофр, M-гофр и L-гофр | Другой цвет по каталогу RAL | |



* Указанные цвета имеют близкое соответствие шкале RAL.

** Стандартные цвета.

Панель промежуточная

Тип ворот:

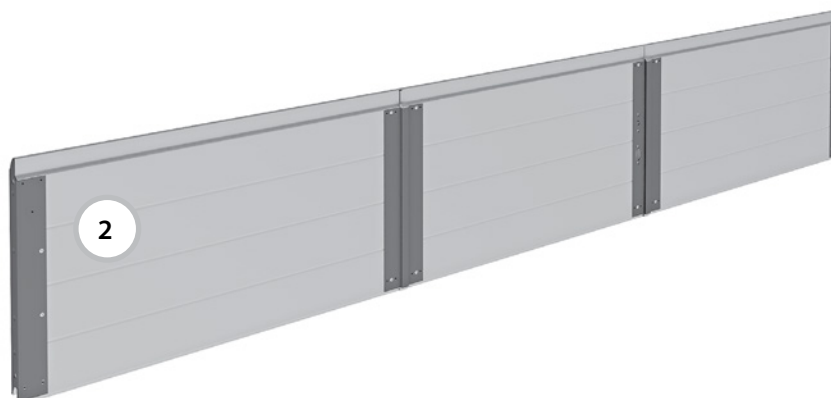
- гаражные ворота Prestige с торсионными пружинами всех типов монтажа;
- промышленные ворота ProPlus всех типов монтажа.

Тип калитки: с плоским порогом 20 мм, с низким порогом 100 мм, со стандартным порогом 145 мм.

Состав: промежуточная калиточная панель с установленными калиточными профилями, замок калитки.

Единица измерения шт.

| Артикул | Тип полотна | Цвет* | Применение |
|---------|-------------------------------------|--|-----------------------------|
| LPU-31 | Микроволна, S-гофр | RAL 9016, 8014, 9006, 5010, 1015, 3004, 6005, 8017, 7016, ADS703** | Для ворот с правой калиткой |
| | L-гофр | RAL 9016, 8014, 7016, ADS703, ADS704** | |
| | S-гофр, M-гофр и L-гофр | Золотой дуб, Темный дуб, Вишня | |
| | Микроволна, S-гофр, M-гофр и L-гофр | Другой цвет по каталогу RAL | |
| LPU-41 | Микроволна, S-гофр | RAL 9016, 8014, 9006, 5010, 1015, 3004, 6005, 8017, 7016, ADS703** | Для ворот с левой калиткой |
| | M-гофр | RAL 9016, 8014, 7016, ADS704** | |
| | S-гофр, M-гофр и L-гофр | Золотой дуб, Темный дуб, Вишня | |
| | Микроволна, S-гофр, M-гофр и L-гофр | Другой цвет по каталогу RAL | |



* Указанные цвета имеют близкое соответствие шкале RAL.

** Стандартные цвета.

Панель промежуточная

Тип ворот:

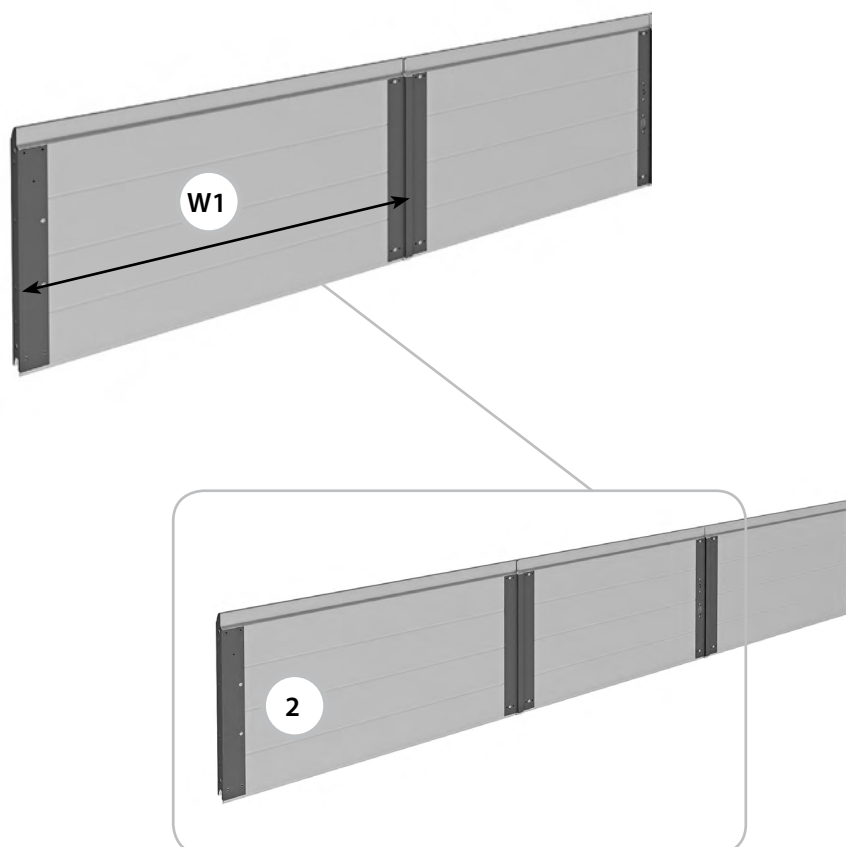
- гаражные ворота Prestige с торсионными пружинами всех типов монтажа;
- промышленные ворота ProPlus всех типов монтажа.

Тип калитки: с плоским порогом 20 мм, с низким порогом 100 мм, со стандартным порогом 145 мм.

Состав: две промежуточные панели калитки с установленными калиточными профилями, замок калитки.

Единица измерения шт.

| Артикул | Тип полотна | Цвет* | Применение |
|---------|-------------------------------------|--|-----------------------------|
| LPU-5 | Микроволна, S-гофр | RAL 9016, 8014, 9006, 5010, 1015, 3004, 6005, 8017, 7016, ADS703** | Для ворот с правой калиткой |
| | L-гофр, M-гофр и L-гофр | RAL 9016, 8014, 7016, ADS703, ADS704** | |
| | S-гофр | Золотой дуб, Темный дуб, Вишня | |
| | Микроволна, S-гофр, M-гофр и L-гофр | Другой цвет по каталогу RAL | |
| LPU-19 | Микроволна, S-гофр | RAL 9016, 8014, 9006, 5010, 1015, 3004, 6005, 8017, 7016, ADS703** | Для ворот с левой калиткой |
| | M-гофр | RAL 9016, 8014, 7016, ADS704** | |
| | S-гофр, M-гофр и L-гофр | Золотой дуб, Темный дуб, Вишня | |
| | Микроволна, S-гофр, M-гофр и L-гофр | Другой цвет по каталогу RAL | |



* Указанные цвета имеют близкое соответствие шкале RAL.

** Стандартные цвета.

Панель промежуточная

Тип ворот:

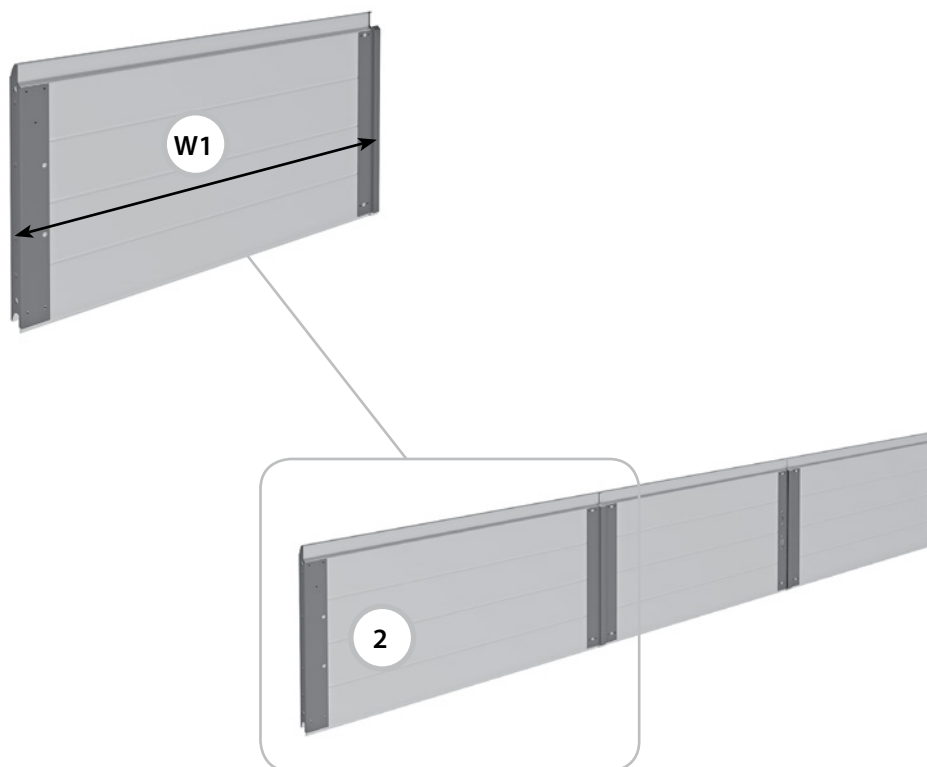
- гаражные ворота Prestige с торсионными пружинами всех типов монтажа;
- промышленные ворота ProPlus всех типов монтажа.

Тип калитки: с плоским порогом 20 мм, с низким порогом 100 мм, со стандартным порогом 145 мм.

Состав: промежуточная панель калитки с установленными калиточными профилями.

Единица измерения шт.

| Артикул | Тип полотна | Цвет* | Применение |
|---------|-------------------------------------|--|-----------------------------|
| LPU-6 | Микроволна, S-гофр | RAL 9016, 8014, 9006, 5010, 1015, 3004, 6005, 8017, 7016, ADS703** | Для ворот с правой калиткой |
| | L-гофр | RAL 9016, 8014, 7016, ADS703, ADS704** | |
| | S-гофр, M-гофр и L-гофр | Золотой дуб, Темный дуб, Вишня | |
| | Микроволна, S-гофр, M-гофр и L-гофр | Другой цвет по каталогу RAL | |
| LPU-20 | Микроволна, S-гофр | RAL 9016, 8014, 9006, 5010, 1015, 3004, 6005, 8017, 7016, ADS703** | Для ворот с левой калиткой |
| | M-гофр | RAL 9016, 8014, 7016, ADS704** | |
| | S-гофр, M-гофр и L-гофр | Золотой дуб, Темный дуб, Вишня | |
| | Микроволна, S-гофр, M-гофр и L-гофр | Другой цвет по каталогу RAL | |



* Указанные цвета имеют близкое соответствие шкале RAL.

** Стандартные цвета.

Панель промежуточная

Тип ворот:

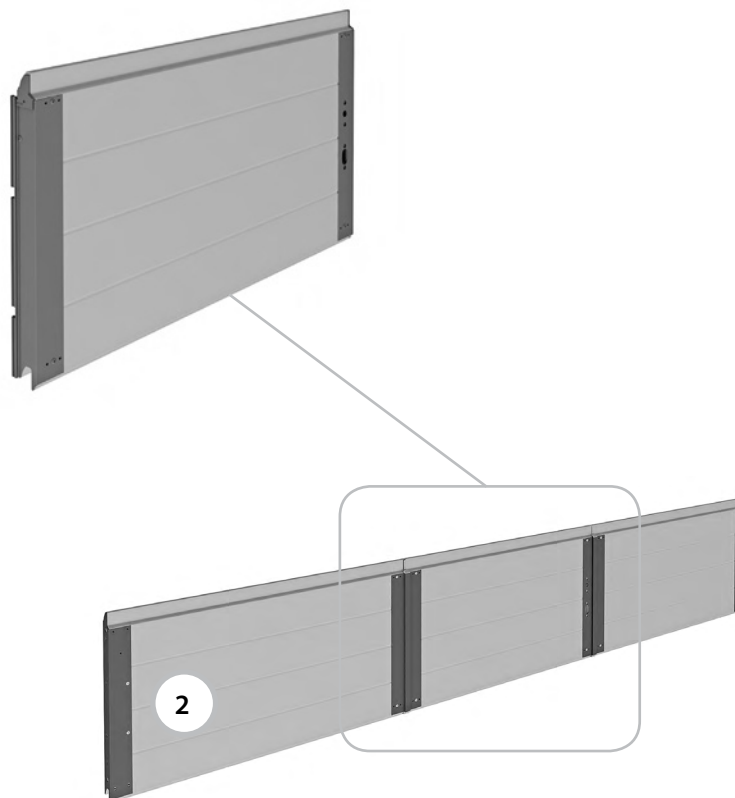
- гаражные ворота Prestige с торсионными пружинами всех типов монтажа;
- промышленные ворота ProPlus всех типов монтажа.

Тип калитки: с плоским порогом 20 мм, с низким порогом 100 мм, со стандартным порогом 145 мм.

Состав: промежуточная панель калитки с установленными калиточными профилями, замок калитки.

Единица измерения шт.

| Артикул | Тип полотна | Цвет* | Применение |
|---------|-------------------------------------|--|-----------------------------|
| LPU-7 | Микроволна, S-гофр | RAL 9016, 8014, 9006, 5010, 1015, 3004, 6005, 8017, 7016, ADS703** | Для ворот с правой калиткой |
| | L-гофр | RAL 9016, 8014, 7016, ADS703, ADS704** | |
| | S-гофр, M-гофр и L-гофр | Золотой дуб, Темный дуб, Вишня | |
| | Микроволна, S-гофр, M-гофр и L-гофр | Другой цвет по каталогу RAL | |
| LPU-21 | Микроволна, S-гофр | RAL 9016, 8014, 9006, 5010, 1015, 3004, 6005, 8017, 7016, ADS703** | Для ворот с левой калиткой |
| | M-гофр | RAL 9016, 8014, 7016, ADS704** | |
| | S-гофр, M-гофр и L-гофр | Золотой дуб, Темный дуб, Вишня | |
| | Микроволна, S-гофр, M-гофр и L-гофр | Другой цвет по каталогу RAL | |



* Указанные цвета имеют близкое соответствие шкале RAL.

** Стандартные цвета.

Панель промежуточная

Тип ворот:

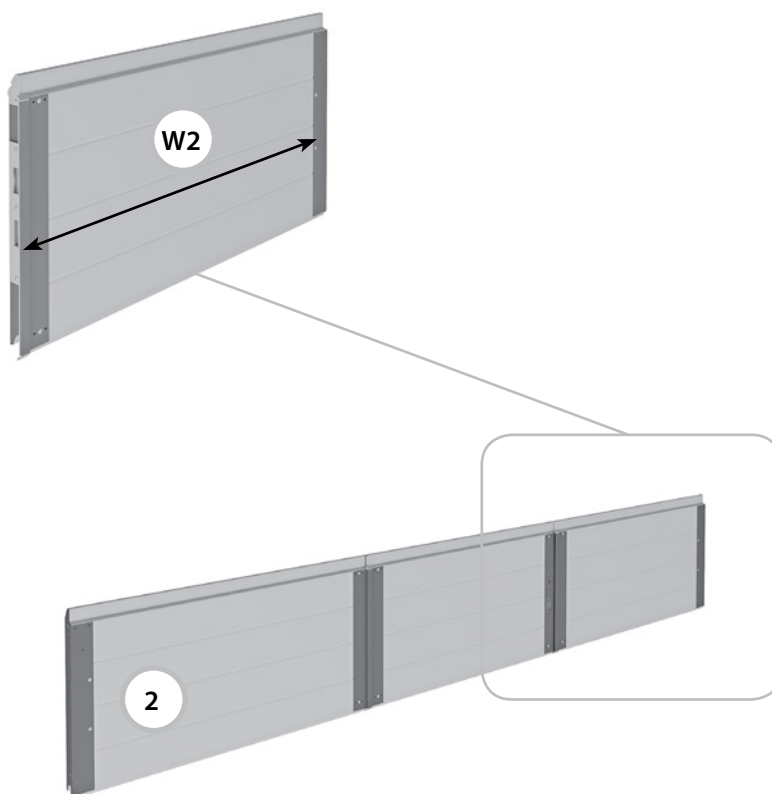
- гаражные ворота Prestige с торсионными пружинами всех типов монтажа;
- промышленные ворота ProPlus всех типов монтажа.

Тип калитки: с плоским порогом 20 мм, с низким порогом 100 мм, со стандартным порогом 145 мм.

Состав: промежуточная панель калитки с установленными калиточными профилями.

Единица измерения шт.

| Артикул | Тип полотна | Цвет* | Применение |
|---------|-------------------------------------|--|-----------------------------|
| LPU-8 | Микроволна, S-гофр | RAL 9016, 8014, 9006, 5010, 1015, 3004, 6005, 8017, 7016, ADS703** | Для ворот с правой калиткой |
| | L-гофр | RAL 9016, 8014, 7016, ADS703, ADS704** | |
| | S-гофр, M-гофр и L-гофр | Золотой дуб, Темный дуб, Вишня | |
| | Микроволна, S-гофр, M-гофр и L-гофр | Другой цвет по каталогу RAL | |
| LPU-22 | Микроволна, S-гофр | RAL 9016, 8014, 9006, 5010, 1015, 3004, 6005, 8017, 7016, ADS703** | Для ворот с левой калиткой |
| | M-гофр | RAL 9016, 8014, 7016, ADS704** | |
| | S-гофр, M-гофр и L-гофр | Золотой дуб, Темный дуб, Вишня | |
| | Микроволна, S-гофр, M-гофр и L-гофр | Другой цвет по каталогу RAL | |



* Указанные цвета имеют близкое соответствие шкале RAL.

** Стандартные цвета.

Панель промежуточная

Тип ворот:

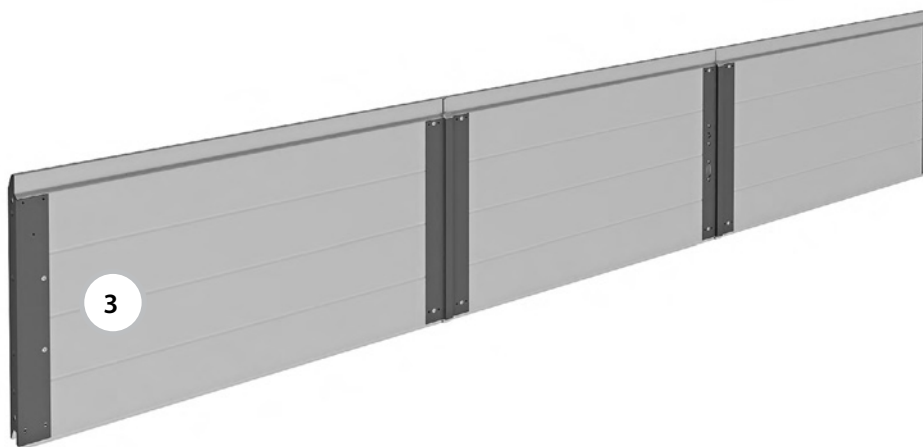
- гаражные ворота Prestige с торсионными пружинами всех типов монтажа;
- промышленные ворота ProPlus всех типов монтажа.

Тип калитки: с плоским порогом 20 мм, с низким порогом 100 мм, со стандартным порогом 145 мм.

Состав: промежуточная калиточная панель с установленными калиточными профилями.

Единица измерения шт.

| Артикул | Тип полотна | Цвет* | Применение |
|---------|-------------------------------------|--|-----------------------------|
| LPU-32 | Микроволна, S-гофр | RAL 9016, 8014, 9006, 5010, 1015, 3004, 6005, 8017, 7016, ADS703** | Для ворот с правой калиткой |
| | L-гофр | RAL 9016, 8014, 7016, ADS703, ADS704** | |
| | S-гофр, M-гофр и L-гофр | Золотой дуб, Темный дуб, Вишня | |
| | Микроволна, S-гофр, M-гофр и L-гофр | Другой цвет по каталогу RAL | |
| LPU-42 | Микроволна, S-гофр | RAL 9016, 8014, 9006, 5010, 1015, 3004, 6005, 8017, 7016, ADS703** | Для ворот с левой калиткой |
| | M-гофр | RAL 9016, 8014, 7016, ADS704** | |
| | S-гофр, M-гофр и L-гофр | Золотой дуб, Темный дуб, Вишня | |
| | Микроволна, S-гофр, M-гофр и L-гофр | Другой цвет по каталогу RAL | |



* Указанные цвета имеют близкое соответствие шкале RAL.

** Стандартные цвета.

Панель промежуточная

Тип ворот:

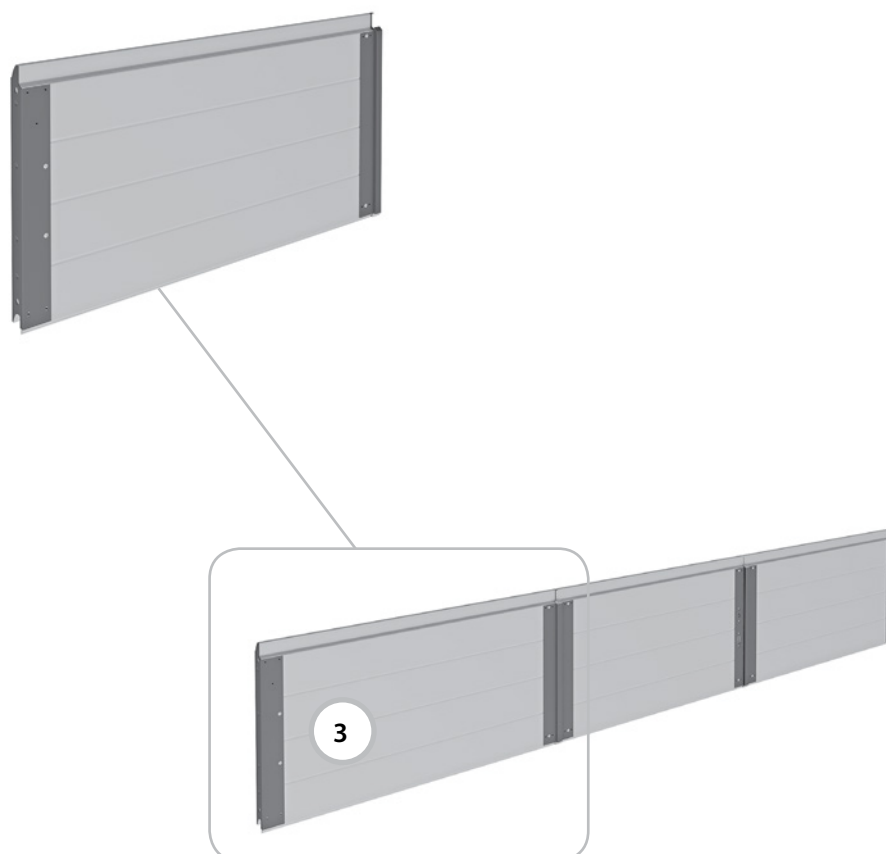
- гаражные ворота Prestige с торсионными пружинами всех типов монтажа;
- промышленные ворота ProPlus всех типов монтажа.

Тип калитки: с плоским порогом 20 мм, с низким порогом 100 мм, со стандартным порогом 145 мм.

Состав: промежуточная панель калитки с установленными калиточными профилями.

Единица измерения шт.

| Артикул | Тип полотна | Цвет* | Применение |
|---------|-------------------------------------|--|-----------------------------|
| LPU-34 | Микроволна, S-гофр | RAL 9016, 8014, 9006, 5010, 1015, 3004, 6005, 8017, 7016, ADS703** | Для ворот с правой калиткой |
| | L-гофр | RAL 9016, 8014, 7016, ADS703, ADS704** | |
| | S-гофр, M-гофр и L-гофр | Золотой дуб, Темный дуб, Вишня | |
| | Микроволна, S-гофр, M-гофр и L-гофр | Другой цвет по каталогу RAL | |
| LPU-44 | Микроволна, S-гофр | RAL 9016, 8014, 9006, 5010, 1015, 3004, 6005, 8017, 7016, ADS703** | Для ворот с левой калиткой |
| | M-гофр | RAL 9016, 8014, 7016, ADS704** | |
| | S-гофр, M-гофр и L-гофр | Золотой дуб, Темный дуб, Вишня | |
| | Микроволна, S-гофр, M-гофр и L-гофр | Другой цвет по каталогу RAL | |



* Указанные цвета имеют близкое соответствие шкале RAL.

** Стандартные цвета.

Панель промежуточная

Тип ворот:

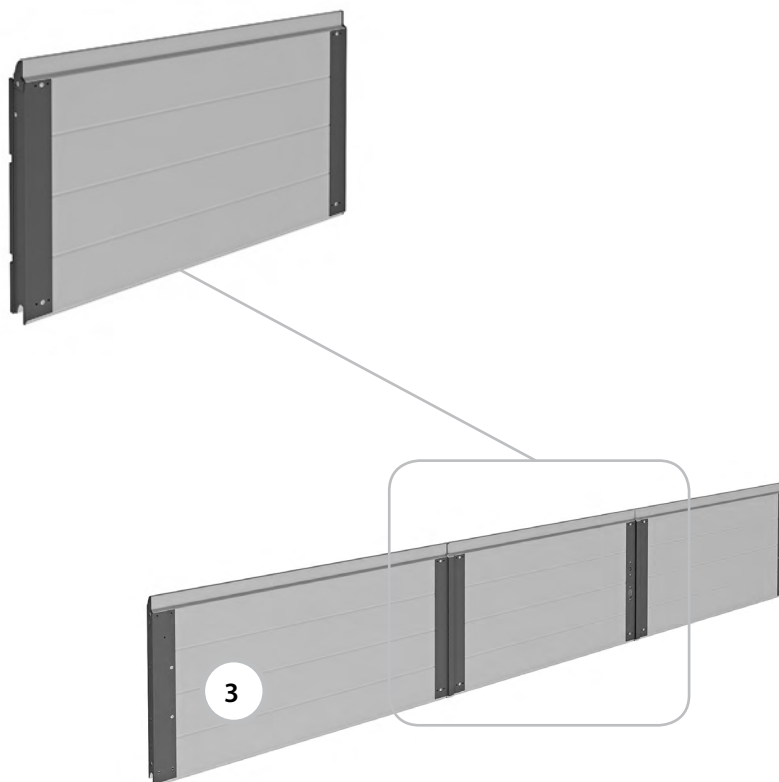
- гаражные ворота Prestige с торсионными пружинами всех типов монтажа;
- промышленные ворота ProPlus всех типов монтажа.

Тип калитки: с плоским порогом 20 мм, с низким порогом 100 мм, со стандартным порогом 145 мм.

Состав: промежуточная панель калитки с установленными калиточными профилями.

Единица измерения шт.

| Артикул | Тип полотна | Цвет* | Применение |
|---------|-------------------------------------|--|-----------------------------|
| LPU-35 | Микроволна, S-гофр | RAL 9016, 8014, 9006, 5010, 1015, 3004, 6005, 8017, 7016, ADS703** | Для ворот с правой калиткой |
| | L-гофр | RAL 9016, 8014, 7016, ADS703, ADS704** | |
| | S-гофр, M-гофр и L-гофр | Золотой дуб, Темный дуб, Вишня | |
| | Микроволна, S-гофр, M-гофр и L-гофр | Другой цвет по каталогу RAL | |
| LPU-45 | Микроволна, S-гофр | RAL 9016, 8014, 9006, 5010, 1015, 3004, 6005, 8017, 7016, ADS703** | Для ворот с левой калиткой |
| | M-гофр | RAL 9016, 8014, 7016, ADS704** | |
| | S-гофр, M-гофр и L-гофр | Золотой дуб, Темный дуб, Вишня | |
| | Микроволна, S-гофр, M-гофр и L-гофр | Другой цвет по каталогу RAL | |



* Указанные цвета имеют близкое соответствие шкале RAL.

** Стандартные цвета.

Панель промежуточная

Тип ворот:

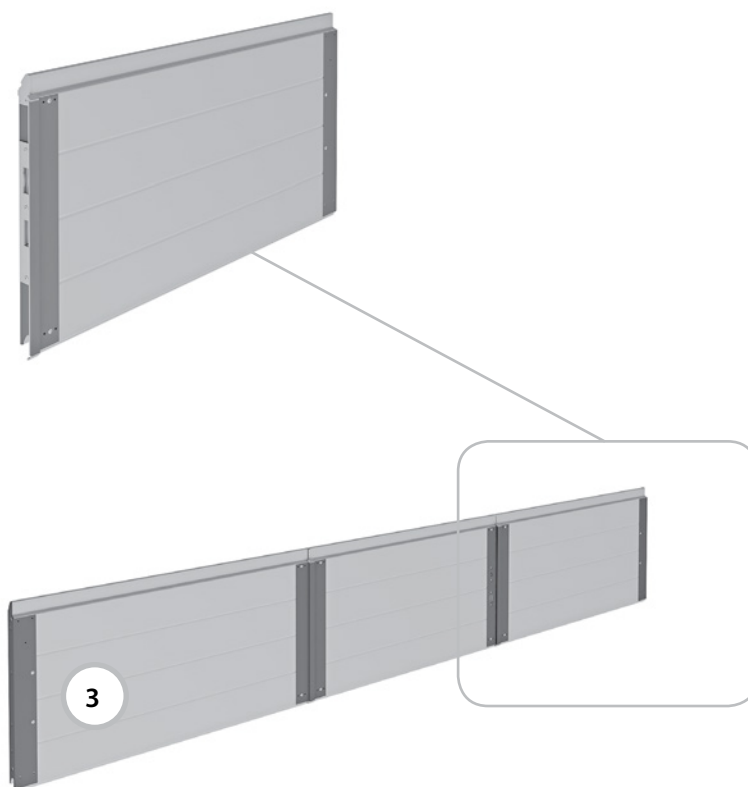
- гаражные ворота Prestige с торсионными пружинами всех типов монтажа;
- промышленные ворота ProPlus всех типов монтажа.

Тип калитки: с плоским порогом 20 мм, с низким порогом 100 мм, со стандартным порогом 145 мм.

Состав: промежуточная панель калитки с установленными калиточными профилями.

Единица измерения шт.

| Артикул | Тип полотна | Цвет* | Применение |
|---------|-------------------------------------|--|-----------------------------|
| LPU-36 | Микроволна, S-гофр | RAL 9016, 8014, 9006, 5010, 1015, 3004, 6005, 8017, 7016, ADS703** | Для ворот с правой калиткой |
| | L-гофр | RAL 9016, 8014, 7016, ADS703, ADS704** | |
| | S-гофр, M-гофр и L-гофр | Золотой дуб, Темный дуб, Вишня | |
| | Микроволна, S-гофр, M-гофр и L-гофр | Другой цвет по каталогу RAL | |
| LPU-46 | Микроволна, S-гофр | RAL 9016, 8014, 9006, 5010, 1015, 3004, 6005, 8017, 7016, ADS703** | Для ворот с левой калиткой |
| | M-гофр | RAL 9016, 8014, 7016, ADS704** | |
| | S-гофр, M-гофр и L-гофр | Золотой дуб, Темный дуб, Вишня | |
| | Микроволна, S-гофр, M-гофр и L-гофр | Другой цвет по каталогу RAL | |



* Указанные цвета имеют близкое соответствие шкале RAL.

** Стандартные цвета.

Панель промежуточная

Тип ворот:

- гаражные ворота Prestige с торсионными пружинами всех типов монтажа;
- промышленные ворота ProPlus всех типов монтажа.

Тип калитки: с плоским порогом 20 мм, с низким порогом 100 мм, со стандартным порогом 145 мм.

Состав: верхняя калиточная панель с установленными калиточными профилями, верхний усиливающий профиль.

Единица измерения шт.

| Артикул | Тип полотна | Цвет* | Применение |
|---------|-------------------------------------|--|-----------------------------|
| LPU-37 | Микроволна, S-гофр | RAL 9016, 8014, 9006, 5010, 1015, 3004, 6005, 8017, 7016, ADS703** | Для ворот с правой калиткой |
| | L-гофр | RAL 9016, 8014, 7016, ADS703, ADS704** | |
| | S-гофр, M-гофр и L-гофр | Золотой дуб, Темный дуб, Вишня | |
| | Микроволна, S-гофр, M-гофр и L-гофр | Другой цвет по каталогу RAL | |
| LPU-47 | Микроволна, S-гофр | RAL 9016, 8014, 9006, 5010, 1015, 3004, 6005, 8017, 7016, ADS703** | Для ворот с левой калиткой |
| | M-гофр | RAL 9016, 8014, 7016, ADS704** | |
| | S-гофр, M-гофр и L-гофр | Золотой дуб, Темный дуб, Вишня | |
| | Микроволна, S-гофр, M-гофр и L-гофр | Другой цвет по каталогу RAL | |



* Указанные цвета имеют близкое соответствие шкале RAL.

** Стандартные цвета.

Панель промежуточная

Тип ворот:

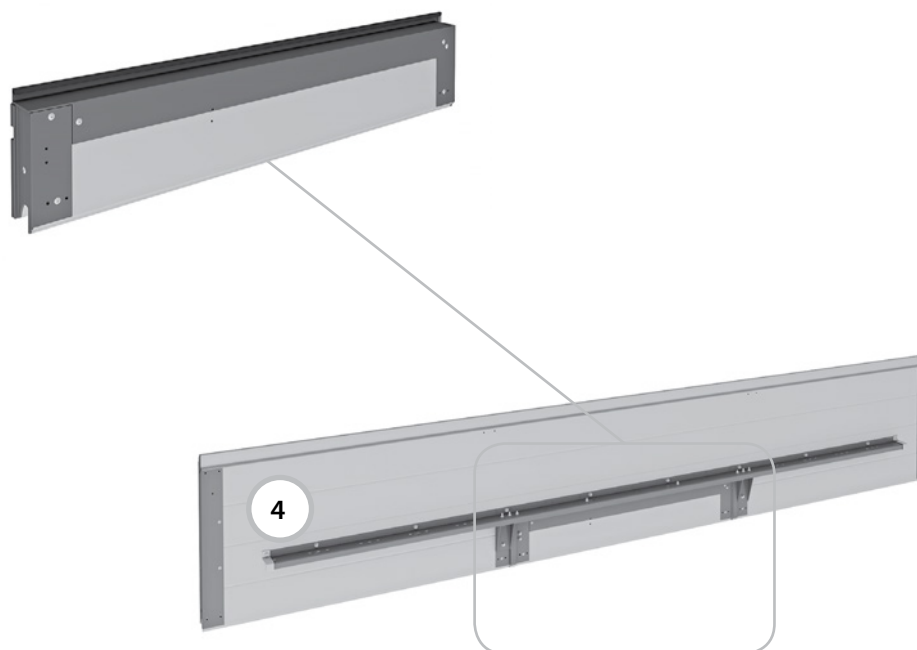
- гаражные ворота Prestige с торсионными пружинами всех типов монтажа;
- промышленные ворота ProPlus всех типов монтажа.

Тип калитки: с плоским порогом 20 мм, с низким порогом 100 мм, со стандартным порогом 145 мм.

Состав: верхняя калиточная панель с установленными калиточными профилями.

Единица измерения шт.

| Артикул | Тип полотна | Цвет* | Применение |
|---------|-------------------------------------|--|-----------------------------|
| LPU-38 | Микроволна, S-гофр | RAL 9016, 8014, 9006, 5010, 1015, 3004, 6005, 8017, 7016, ADS703** | Для ворот с правой калиткой |
| | L-гофр | RAL 9016, 8014, 7016, ADS703, ADS704** | |
| | S-гофр, M-гофр и L-гофр | Золотой дуб, Темный дуб, Вишня | |
| | Микроволна, S-гофр, M-гофр и L-гофр | Другой цвет по каталогу RAL | |
| LPU-48 | Микроволна, S-гофр | RAL 9016, 8014, 9006, 5010, 1015, 3004, 6005, 8017, 7016, ADS703** | Для ворот с левой калиткой |
| | M-гофр | RAL 9016, 8014, 7016, ADS704** | |
| | S-гофр, M-гофр и L-гофр | Золотой дуб, Темный дуб, Вишня | |
| | Микроволна, S-гофр, M-гофр и L-гофр | Другой цвет по каталогу RAL | |



* Указанные цвета имеют близкое соответствие шкале RAL.

** Стандартные цвета.

Панель промежуточная

Тип ворот:

- гаражные ворота Prestige с торсионными пружинами всех типов монтажа;
- промышленные ворота ProPlus всех типов монтажа.

Тип калитки: с плоским порогом 20 мм, с низким порогом 100 мм, со стандартным порогом 145 мм.

Состав: верхняя калиточная панель с установленными калиточными профилями, верхний усиливающий профиль.

Единица измерения шт.

| Артикул | Тип полотна | Цвет* | Применение |
|---------|-------------------------------------|--|-----------------------------|
| LPU-39 | Микроволна, S-гофр | RAL 9016, 8014, 9006, 5010, 1015, 3004, 6005, 8017, 7016, ADS703** | Для ворот с правой калиткой |
| | L-гофр | RAL 9016, 8014, 7016, ADS703, ADS704** | |
| | S-гофр, M-гофр и L-гофр | Золотой дуб, Темный дуб, Вишня | |
| | Микроволна, S-гофр, M-гофр и L-гофр | Другой цвет по каталогу RAL | |
| LPU-49 | Микроволна, S-гофр | RAL 9016, 8014, 9006, 5010, 1015, 3004, 6005, 8017, 7016, ADS703** | Для ворот с левой калиткой |
| | M-гофр | RAL 9016, 8014, 7016, ADS704** | |
| | S-гофр, M-гофр и L-гофр | Золотой дуб, Темный дуб, Вишня | |
| | Микроволна, S-гофр, M-гофр и L-гофр | Другой цвет по каталогу RAL | |

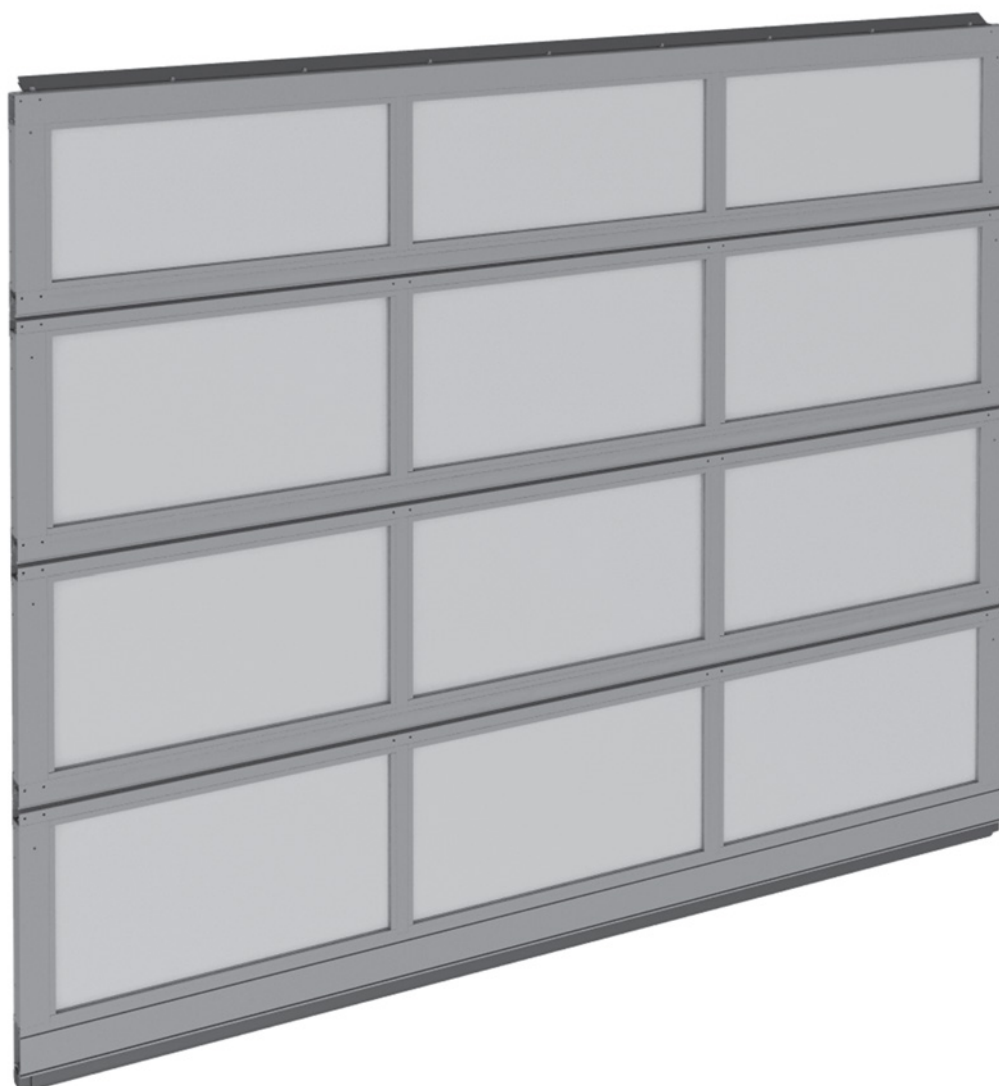


* Указанные цвета имеют близкое соответствие шкале RAL.

** Стандартные цвета.

ПАНОРАМНОЕ ПОЛОТНО ВОРОТ БЕЗ КАЛИТКИ

ТИПОВАЯ КОНСТРУКЦИЯ ПАНОРАМНОГО ПОЛОТНА ВОРОТ БЕЗ КАЛИТКИ



Панель верхняя

Панель промежуточная

Панель промежуточная

Панель нижняя

1.1

1.2

1.3

1.4

1.5

2

3

4

Полотно воротное

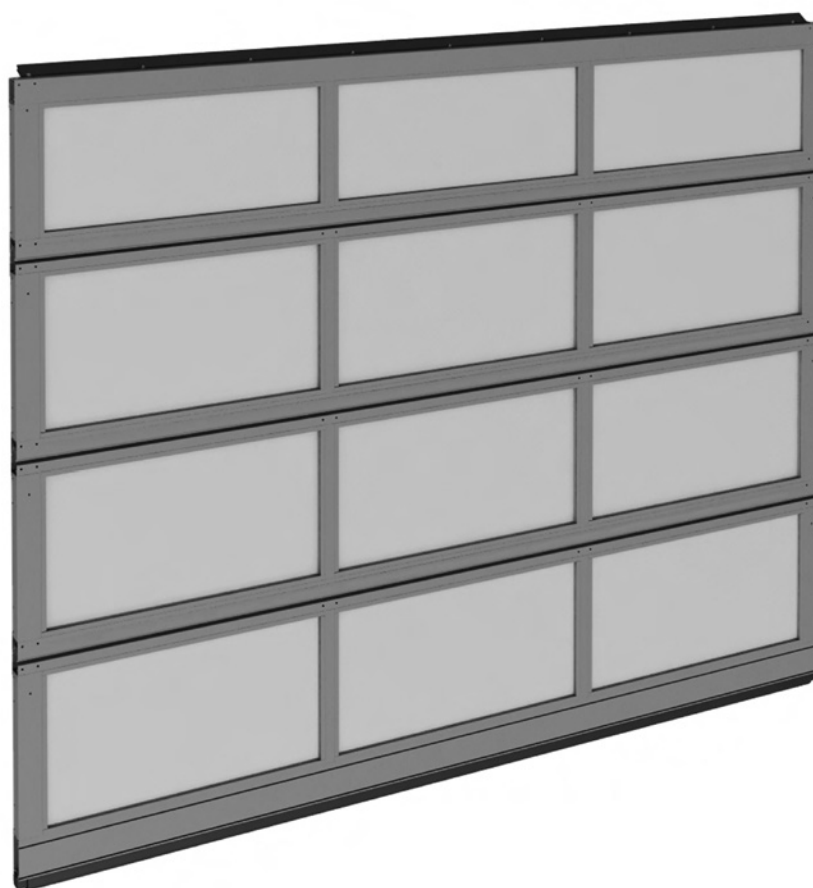
Серия ворот: панорамные ворота AluPro, AluTherm.

Тип полотна ворот: АЛП.

Состав: панорамные панели, нижняя и верхняя уплотнительные вставки, упоры нижние.

Единица измерения шт.

| Артикул | Серия ворот | Цвет* |
|---------|-------------|--|
| GLG-7 | AluPro | A00-D6, RAL 9016, 8014, 9006, 5010, 1015, 3004, 6005, 8017, 7016** |
| | | Другой цвет по каталогу RAL или ADS703 |
| | AluTherm | RAL 9016, 8014, 9006, 5010** |
| | | Другой цвет по каталогу RAL или ADS703 |



* Указанные цвета имеют близкое соответствие шкале RAL.

** Стандартные цвета.

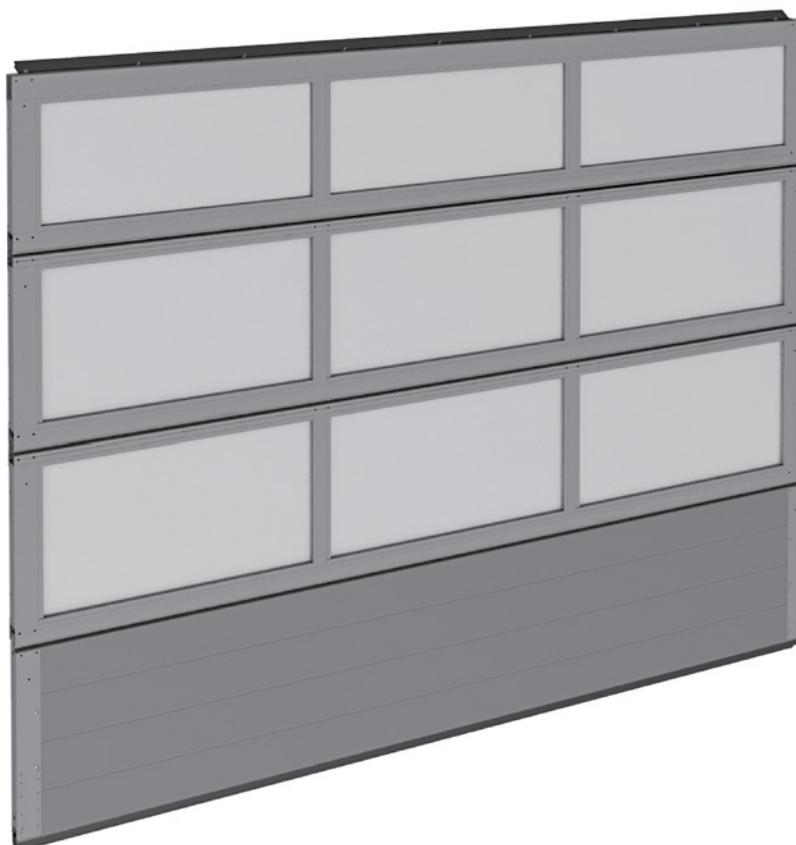
Полотно воротное

Серия ворот: панорамные ворота AluPro и AluTherm.
Тип полотна ворот: АЛПС.

Состав: нижняя сэндвич-панель, промежуточные и верхняя панорамные панели, нижний концевой профиль, нижняя и верхняя уплотнительные вставки, упоры нижние.

Единица измерения шт.

| Артикул | Серия ворот | Цвет* |
|---------|-------------|--|
| GLG-10 | AluPro | A00-D6, RAL 9016, 8014, 9006, 5010, 1015, 3004, 6005, 8017, 7016** |
| | | Другой цвет по каталогу RAL или ADS703 |
| | AluTherm | RAL 9016, 8014, 9006, 5010** |
| | | Другой цвет по каталогу RAL или ADS703 |



* Указанные цвета имеют близкое соответствие шкале RAL.

** Стандартные цвета.

Панель нижняя

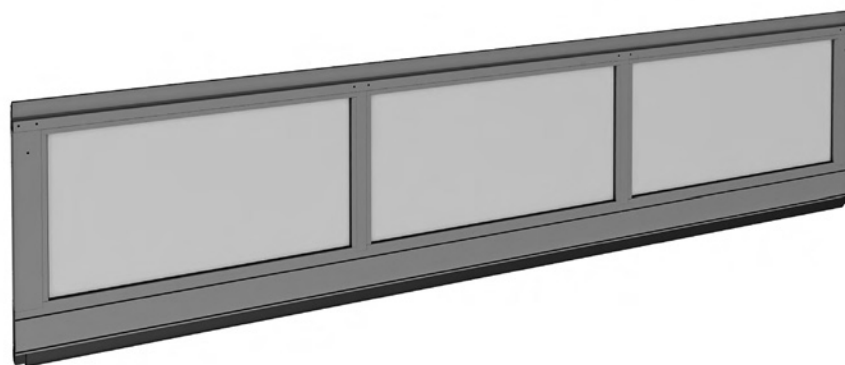
Серия ворот: панорамные ворота AluPro, AluTherm.

Тип полотна ворот: АЛП.

Состав: нижняя панорамная панель, нижняя уплотнительная вставка, упоры нижние.

Единица измерения шт.

| Артикул | Серия ворот | Цвет* |
|---------|-------------|--|
| LPA-27 | AluPro | A00-D6, RAL 9016, 8014, 9006, 5010, 1015, 3004, 6005, 8017, 7016** |
| | | Другой цвет по каталогу RAL или ADS703 |
| | AluTherm | RAL 9016, 8014, 9006, 5010** |
| | | Другой цвет по каталогу RAL или ADS703 |



* Указанные цвета имеют близкое соответствие шкале RAL.

** Стандартные цвета.

Панель промежуточная

Серия ворот:

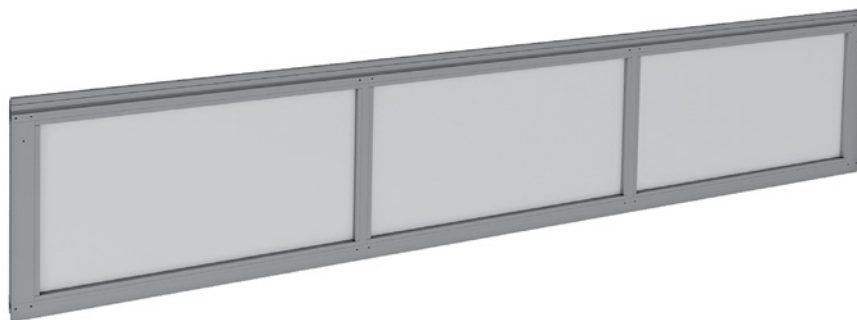
- панорамные ворота AluPro, AluTherm;
- гаражные ворота Prestige (ПО серии AluPro, AluTherm);
- промышленные ворота ProPlus (ПО серии AluPro, AluTherm).

Тип полотна ворот: АЛП, АЛПС, ПО.

Состав: промежуточная панорамная панель

Единица измерения шт.

| Артикул | Серия ворот | Цвет* |
|---------|-------------|--|
| LPA-28 | AluPro | A00-D6, RAL 9016, 8014, 9006, 5010, 1015, 3004, 6005, 8017, 7016** |
| | | Другой цвет по каталогу RAL или ADS703 |
| | AluTherm | RAL 9016, 8014, 9006, 5010** |
| | | Другой цвет по каталогу RAL или ADS703 |



* Указанные цвета имеют близкое соответствие шкале RAL.

** Стандартные цвета.

Панель верхняя

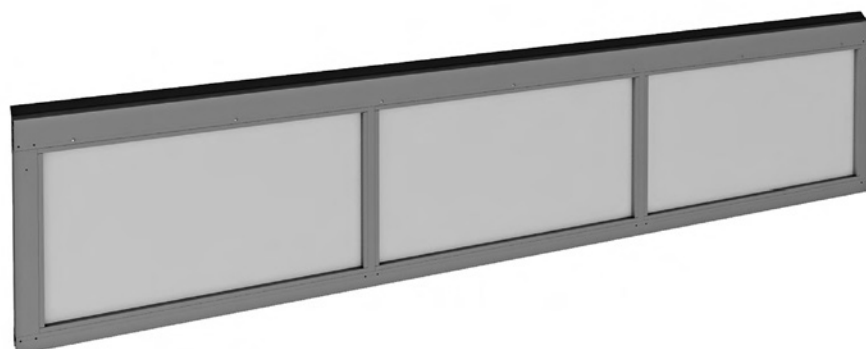
Серия ворот: панорамные ворота AluPro и AluTherm.

Тип полотна ворот: АЛП, АЛПС.

Состав: верхняя панорамная панель, верхняя уплотнительная вставка.

Единица измерения шт.

| Артикул | Серия ворот | Цвет* |
|---------|-------------|--|
| LPA-29 | AluPro | A00-D6, RAL 9016, 8014, 9006, 5010, 1015, 3004, 6005, 8017, 7016** |
| | | Другой цвет по каталогу RAL или ADS703 |
| | AluTherm | RAL 9016, 8014, 9006, 5010** |
| | | Другой цвет по каталогу RAL или ADS703 |

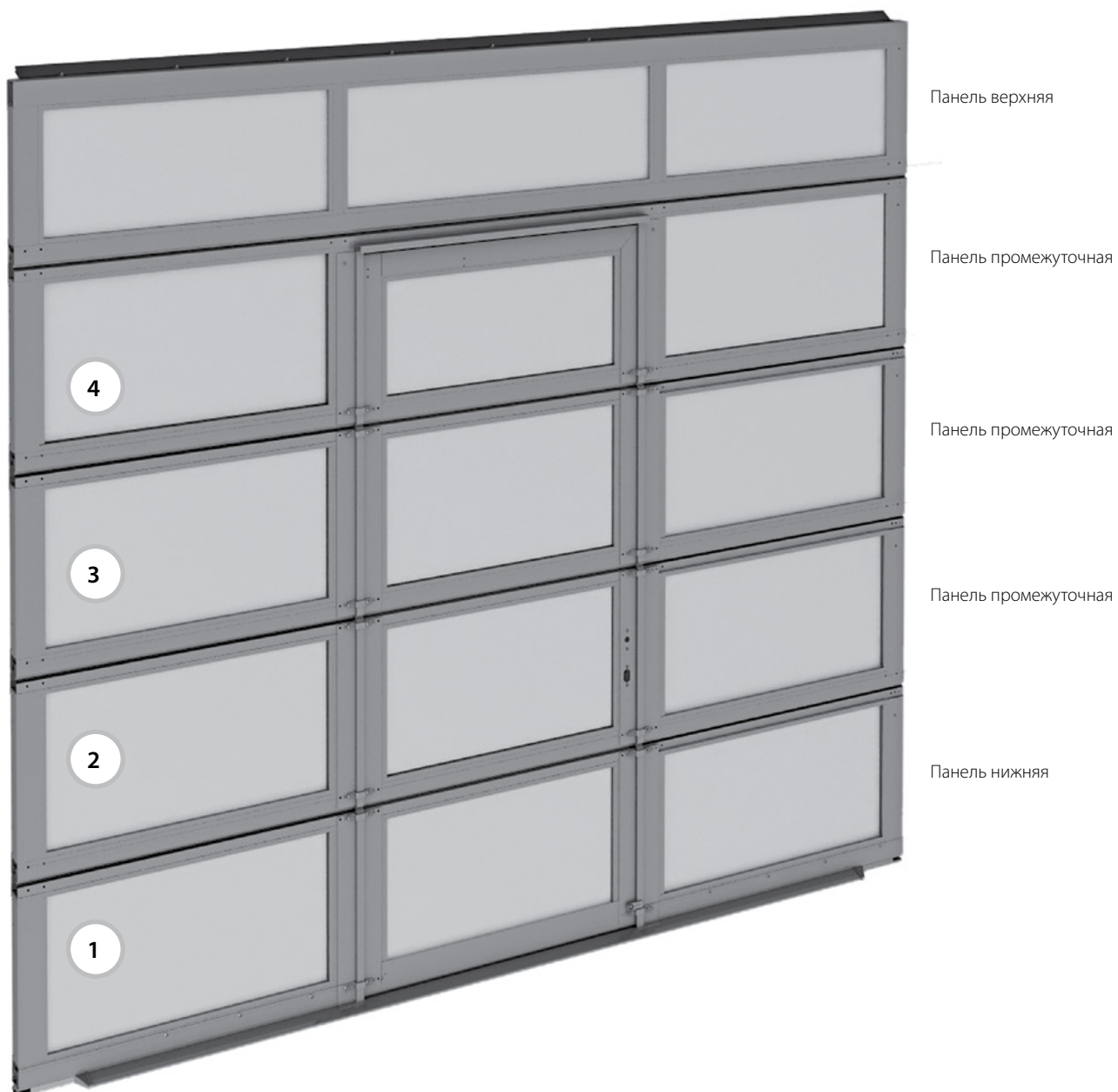


* Указанные цвета имеют близкое соответствие шкале RAL.

** Стандартные цвета.

ПАНОРАМНОЕ ПОЛОТНО ВОРОТ С КАЛИТКОЙ

ТИПОВАЯ КОНСТРУКЦИЯ ПАНОРАМНОГО ПОЛОТНА ВОРОТ С КАЛИТКОЙ



1.1

1.2

1.3

1.4

1.5

2

3

4

Полотно воротное

Серия ворот: панорамные ворота AluPro.

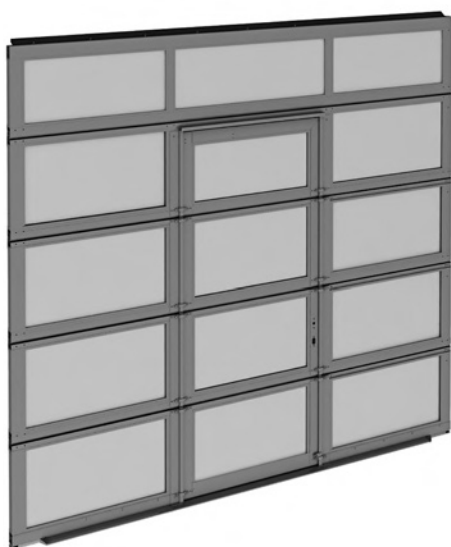
Тип полотна ворот: АЛП.

Тип калитки: с плоским порогом 20 мм, со стандартным порогом 149 мм.

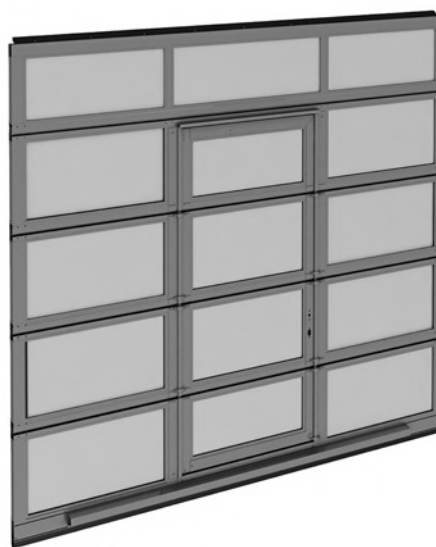
Состав: панорамные панели, нижняя и верхняя уплотнительные вставки, упоры нижние, комплект калиточных профилей и замок калитки, усиливающие профили калитки.

Единица измерения шт.

| Артикул | Цвет* | Применение |
|---------|--|-----------------------------|
| GLG-5 | A00-D6, RAL 9016, 8014, 9006, 5010, 1015, 3004, 6005, 8017, 7016** | Для ворот с правой калиткой |
| | Другой цвет по каталогу RAL или ADS703 | |
| GLG-6 | A00-D6, RAL 9016, 8014, 9006, 5010, 1015, 3004, 6005, 8017, 7016** | Для ворот с левой калиткой |
| | Другой цвет по каталогу RAL или ADS703 | |



Калитка с плоским порогом 20 мм



Калитка со стандартным порогом 149 мм

* Указанные цвета имеют близкое соответствие шкале RAL.

** Стандартные цвета.

Полотно воротное

Серия ворот: панорамные ворота AluPro.

Тип полотна ворот: АЛПС.

Тип калитки: с плоским порогом 20 мм, с низким порогом 100 мм, со стандартным порогом 145 мм.

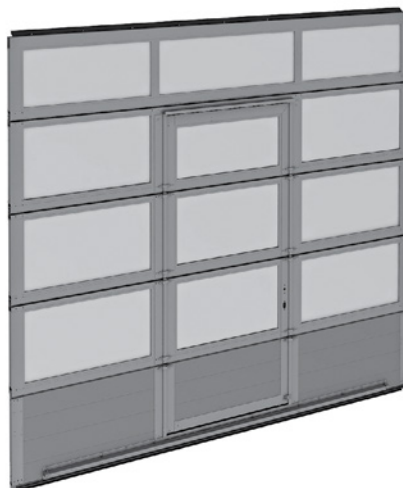
Состав: нижняя сэндвич-панель, промежуточные и верхняя панорамные панели, нижние концевой профиль, нижняя и верхняя уплотнительные вставки, упоры нижний, комплект калиточных профилей и замок калитки, усиливающие профили калитки.

Единица измерения шт.

| Артикул | Цвет* | Применение |
|---------|--|-----------------------------|
| GLG-8 | A00-D6, RAL 9016, 8014, 9006, 5010, 1015, 3004, 6005, 8017, 7016** | Для ворот с правой калиткой |
| | Другой цвет по каталогу RAL или ADS703 | |
| GLG-9 | A00-D6, RAL 9016, 8014, 9006, 5010, 1015, 3004, 6005, 8017, 7016** | Для ворот с левой калиткой |
| | Другой цвет по каталогу RAL или ADS703 | |



Калитка с плоским порогом 20 мм



Калитка с низким порогом 100 мм



Калитка со стандартным порогом 145 мм

* Указанные цвета имеют близкое соответствие шкале RAL.

** Стандартные цвета.

Панель нижняя

Серия ворот: панорамные ворота AluPro.

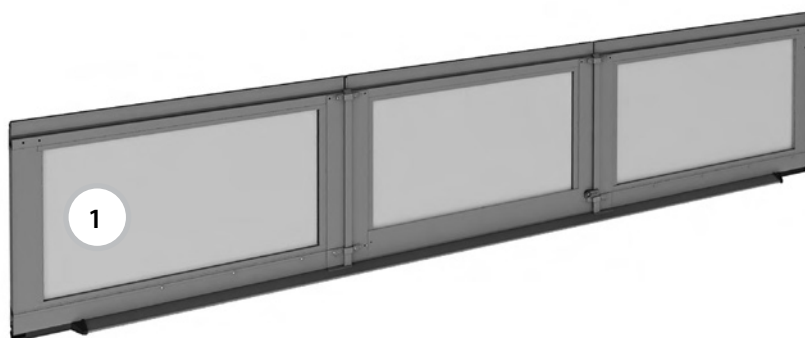
Тип полотна ворот: АЛП.

Тип калитки: с плоским порогом 20 мм, со стандартным порогом 149 мм.

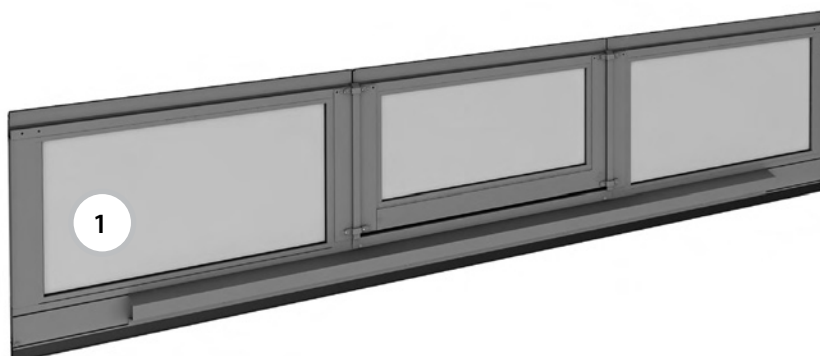
Состав: нижняя панорамная панель, нижняя уплотнительная вставка, комплект калиточных профилей для нижней панели, нижний усиливающий профиль калитки, упоры нижние.

Единица измерения шт.

| Артикул | Цвет* | Применение |
|---------|--|-----------------------------|
| LPA-1 | A00-D6, RAL 9016, 8014, 9006, 5010, 1015, 3004, 6005, 8017, 7016** | Для ворот с правой калиткой |
| | Другой цвет по каталогу RAL или ADS703 | |
| LPA-15 | A00-D6, RAL 9016, 8014, 9006, 5010, 1015, 3004, 6005, 8017, 7016** | Для ворот с левой калиткой |
| | Другой цвет по каталогу RAL или ADS703 | |



Калитка с плоским порогом 20 мм



Калитка со стандартным порогом 149 мм

* Указанные цвета имеют близкое соответствие шкале RAL.

** Стандартные цвета.

Панель нижняя

Серия ворот: панорамные ворота AluPro.

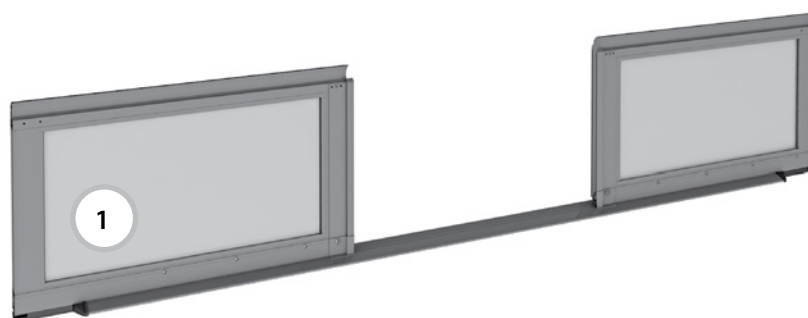
Тип полотна ворот: АЛП.

Тип калитки: с плоским порогом 20 мм, со стандартным порогом 149 мм.

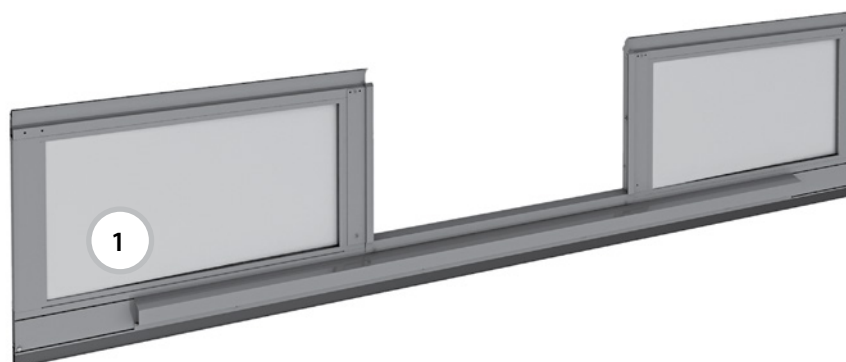
Состав: нижняя панель калитки с установленными профилями калитки.

Единица измерения шт.

| Артикул | Цвет* | Применение |
|---------|--|-----------------------------|
| LPA-30 | A00-D6, RAL 9016, 8014, 9006, 5010, 1015, 3004, 6005, 8017, 7016** | Для ворот с правой калиткой |
| | Другой цвет по каталогу RAL или ADS703 | |
| LPA-40 | A00-D6, RAL 9016, 8014, 9006, 5010, 1015, 3004, 6005, 8017, 7016** | Для ворот с левой калиткой |
| | Другой цвет по каталогу RAL или ADS703 | |



Калитка с плоским порогом 20 мм



Калитка со стандартным порогом 149 мм

* Указанные цвета имеют близкое соответствие шкале RAL.

** Стандартные цвета.

Панель нижняя

Серия ворот: панорамные ворота AluPro.

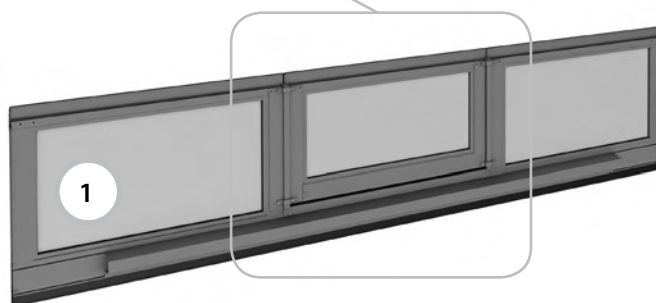
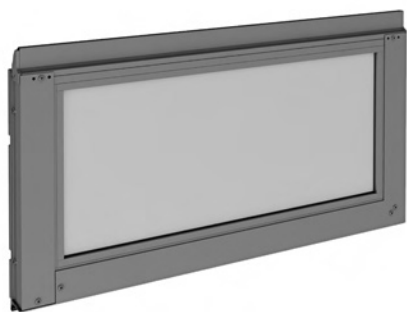
Тип полотна ворот: АЛП.

Тип калитки: с плоским порогом 20 мм, со стандартным порогом 149 мм.

Состав: нижняя панель калитки с установленными профилями калитки.

Единица измерения шт.

| Артикул | Цвет* | Применение |
|---------|--|-----------------------------|
| LPA-3 | A00-D6, RAL 9016, 8014, 9006, 5010, 1015, 3004, 6005, 8017, 7016** | Для ворот с правой калиткой |
| | Другой цвет по каталогу RAL или ADS703 | |
| LPA-17 | A00-D6, RAL 9016, 8014, 9006, 5010, 1015, 3004, 6005, 8017, 7016** | Для ворот с левой калиткой |
| | Другой цвет по каталогу RAL или ADS703 | |



* Указанные цвета имеют близкое соответствие шкале RAL.

** Стандартные цвета.

Панель промежуточная

Серия ворот:

- панорамные ворота AluPro;
- гаражные ворота Prestige (ПО серии AluPro);
- промышленные ворота ProPlus (ПО серии AluPro).

Тип полотна ворот: АЛП, АЛПС, ПО.

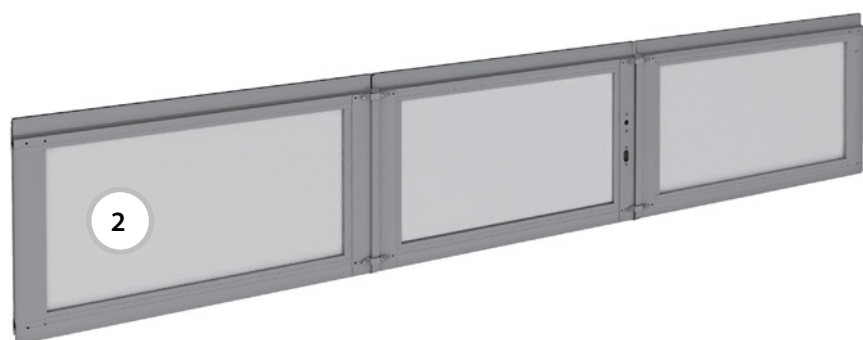
Тип калитки:

- с плоским порогом 20 мм, со стандартным порогом 149 мм (АЛП);
- с плоским порогом 20 мм, с низким порогом 100 мм, со стандартным порогом 145 мм (АЛПС, ПО).

Состав: промежуточная калиточная панель с установленными калиточными профилями, замок калитки.

Единица измерения шт.

| Артикул | Цвет* | Применение |
|---------|--|-----------------------------|
| LPA-31 | A00-D6, RAL 9016, 8014, 9006, 5010, 1015, 3004, 6005, 8017, 7016** | Для ворот с правой калиткой |
| | Другой цвет по каталогу RAL или ADS703 | |
| LPA-41 | A00-D6, RAL 9016, 8014, 9006, 5010, 1015, 3004, 6005, 8017, 7016** | Для ворот с левой калиткой |
| | Другой цвет по каталогу RAL или ADS703 | |



* Указанные цвета имеют близкое соответствие шкале RAL.

** Стандартные цвета.

Панель промежуточная

Серия ворот:

- панорамные ворота AluPro;
- гаражные ворота Prestige (ПО серия AluPro);
- промышленные ворота ProPlus (ПО серия AluPro).

Тип полотна ворот: АЛП, АЛПС, ПО.

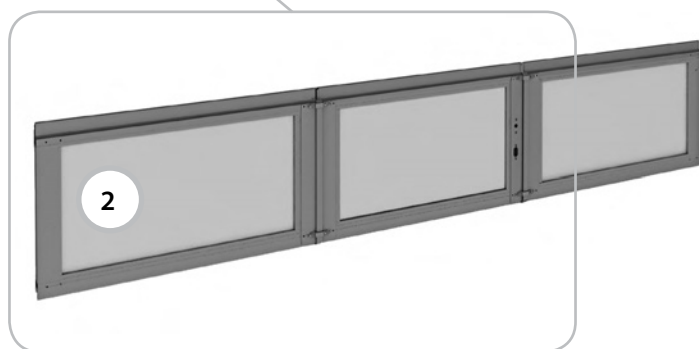
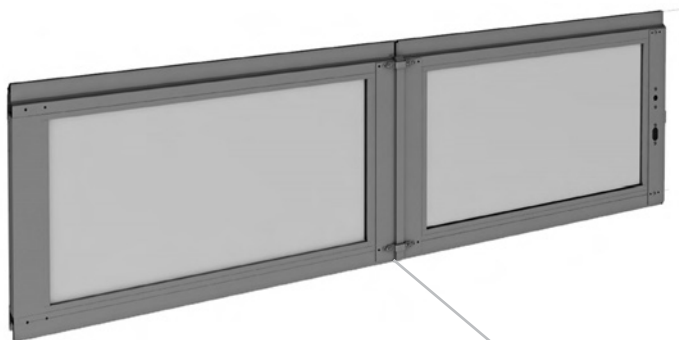
Тип калитки:

- с плоским порогом 20 мм, со стандартным порогом 149 мм (АЛП);
- с плоским порогом 20 мм, с низким порогом 100 мм, со стандартным порогом 145 мм (АЛПС, ПО).

Состав: промежуточные панели калитки с установленными калиточными профилями, замок калитки.

Единица измерения шт.

| Артикул | Цвет* | Применение |
|---------|--|-----------------------------|
| LPA-5 | A00-D6, RAL 9016, 8014, 9006, 5010, 1015, 3004, 6005, 8017, 7016** | Для ворот с правой калиткой |
| | Другой цвет по каталогу RAL или ADS703 | |
| LPA-19 | A00-D6, RAL 9016, 8014, 9006, 5010, 1015, 3004, 6005, 8017, 7016** | Для ворот с левой калиткой |
| | Другой цвет по каталогу RAL или ADS703 | |



* Указанные цвета имеют близкое соответствие шкале RAL.

** Стандартные цвета.

Панель промежуточная

Серия ворот:

- панорамные ворота AluPro;
- гаражные ворота Prestige (ПО серия AluPro);
- промышленные ворота ProPlus (ПО серия AluPro).

Тип полотна ворот: АЛП, АЛПС, ПО.

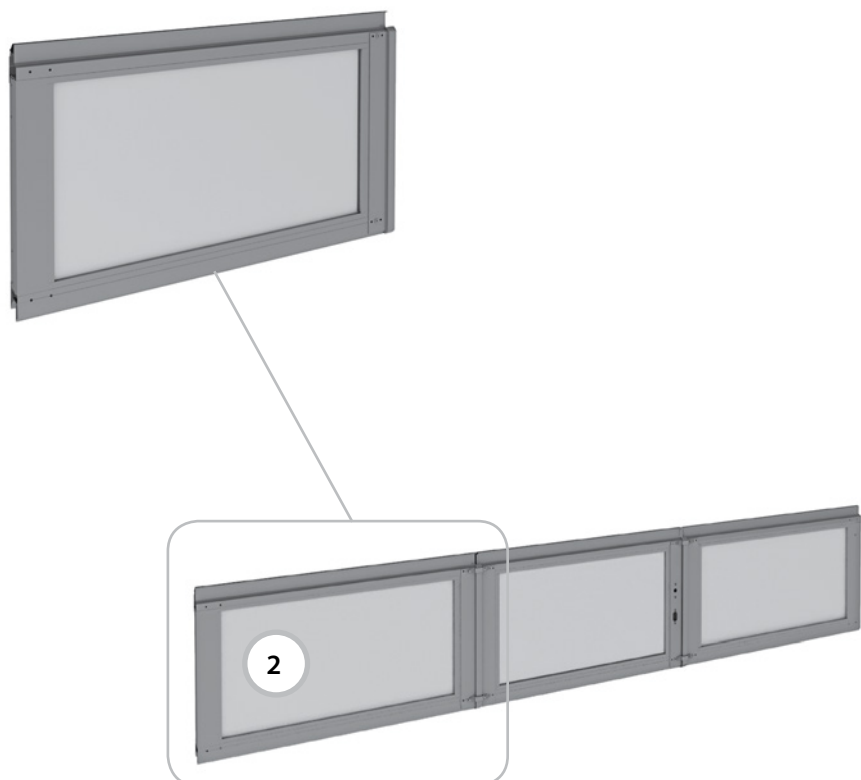
Тип калитки:

- с плоским порогом 20 мм, со стандартным порогом 149 мм (АЛП);
- с плоским порогом 20 мм, с низким порогом 100 мм, со стандартным порогом 145 мм (АЛПС, ПО).

Состав: промежуточная панель калитки с установленными калиточными профилями.

Единица измерения шт.

| Артикул | Цвет* | Применение |
|---------|--|-----------------------------|
| LPA-6 | A00-D6, RAL 9016, 8014, 9006, 5010, 1015, 3004, 6005, 8017, 7016** | Для ворот с правой калиткой |
| | Другой цвет по каталогу RAL или ADS703 | |
| LPA-20 | A00-D6, RAL 9016, 8014, 9006, 5010, 1015, 3004, 6005, 8017, 7016** | Для ворот с левой калиткой |
| | Другой цвет по каталогу RAL или ADS703 | |



* Указанные цвета имеют близкое соответствие шкале RAL.

** Стандартные цвета.

Панель промежуточная

Серия ворот:

- панорамные ворота AluPro;
- гаражные ворота Prestige (ПО серия AluPro);
- промышленные ворота ProPlus (ПО серия AluPro).

Тип полотна ворот: АЛП, АЛПС, ПО.

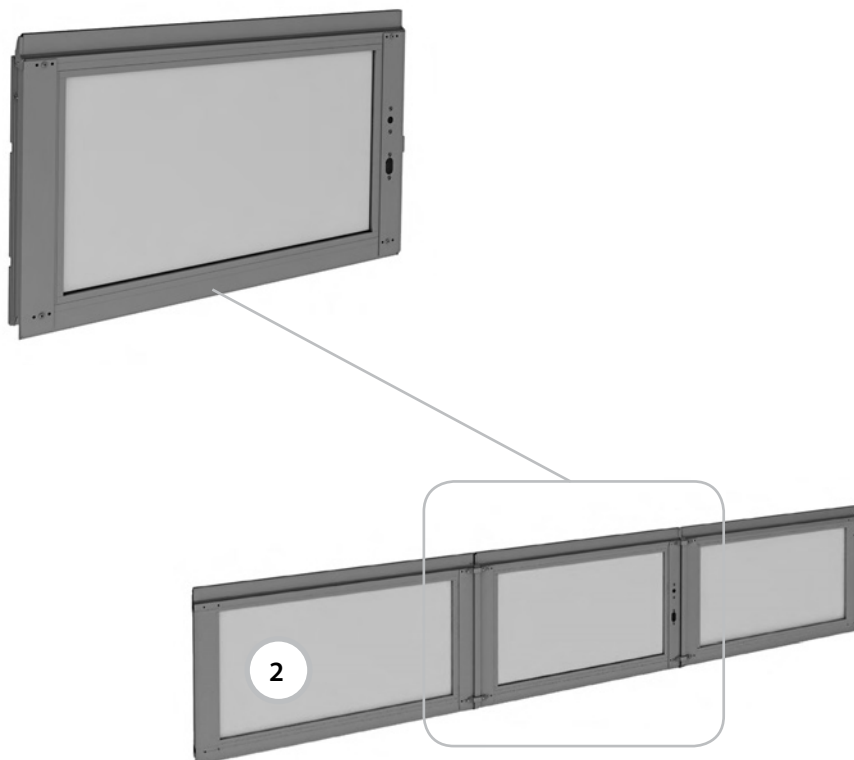
Тип калитки:

- с плоским порогом 20 мм, со стандартным порогом 149 мм (АЛП);
- с плоским порогом 20 мм, с низким порогом 100 мм, со стандартным порогом 145 мм (АЛПС, ПО).

Состав: промежуточная панель калитки с установленными калиточными профилями, замок калитки.

Единица измерения шт.

| Артикул | Цвет* | Применение |
|---------|--|-----------------------------|
| LPA-7 | A00-D6, RAL 9016, 8014, 9006, 5010, 1015, 3004, 6005, 8017, 7016** | Для ворот с правой калиткой |
| | Другой цвет по каталогу RAL или ADS703 | |
| LPA-21 | A00-D6, RAL 9016, 8014, 9006, 5010, 1015, 3004, 6005, 8017, 7016** | Для ворот с левой калиткой |
| | Другой цвет по каталогу RAL или ADS703 | |



* Указанные цвета имеют близкое соответствие шкале RAL.

** Стандартные цвета.

Панель промежуточная

Серия ворот:

- панорамные ворота AluPro;
- гаражные ворота Prestige (ПО серия AluPro);
- промышленные ворота ProPlus (ПО серия AluPro).

Тип полотна ворот: АЛП, АЛПС, ПО.

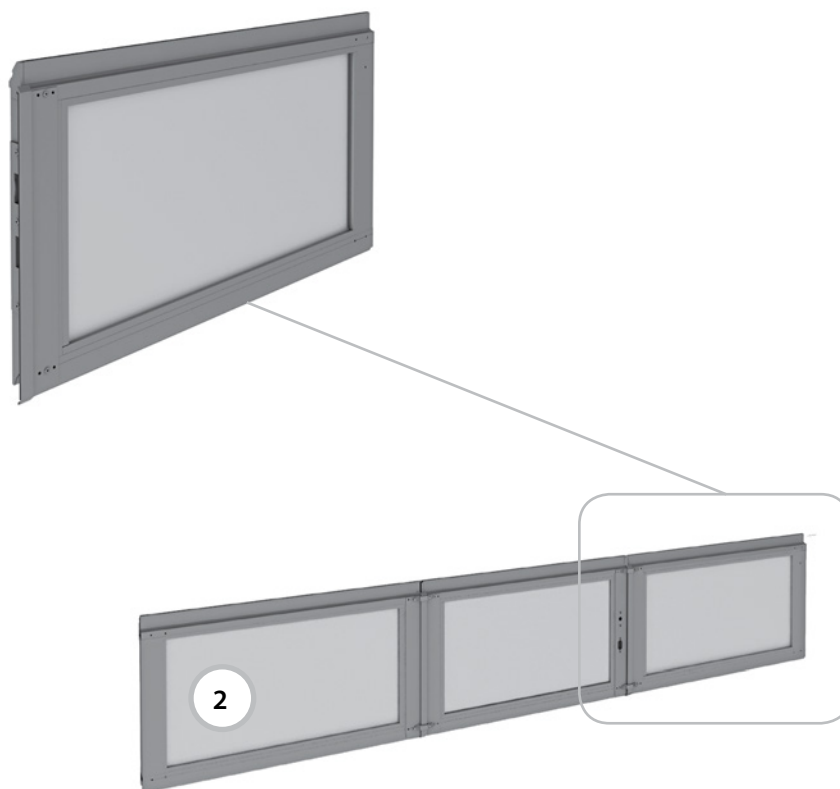
Тип калитки:

- с плоским порогом 20 мм, со стандартным порогом 149 мм (АЛП);
- с плоским порогом 20 мм, с низким порогом 100 мм, со стандартным порогом 145 мм (АЛПС, ПО).

Состав: промежуточная панель калитки с установленными калиточными профилями.

Единица измерения шт.

| Артикул | Цвет* | Применение |
|---------|--|-----------------------------|
| LPA-8 | A00-D6, RAL 9016, 8014, 9006, 5010, 1015, 3004, 6005, 8017, 7016** | Для ворот с правой калиткой |
| | Другой цвет по каталогу RAL или ADS703 | |
| LPA-22 | A00-D6, RAL 9016, 8014, 9006, 5010, 1015, 3004, 6005, 8017, 7016** | Для ворот с левой калиткой |
| | Другой цвет по каталогу RAL или ADS703 | |



* Указанные цвета имеют близкое соответствие шкале RAL.

** Стандартные цвета.

Панель промежуточная

Серия ворот:

- панорамные ворота AluPro;
- гаражные ворота Prestige (ПО серия AluPro);
- промышленные ворота ProPlus (ПО серия AluPro).

Тип полотна ворот: АЛП, АЛПС, ПО.

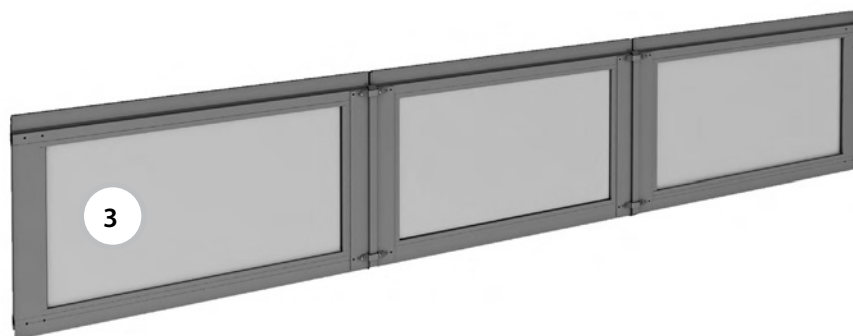
Тип калитки:

- с плоским порогом 20 мм, со стандартным порогом 149 мм (АЛП);
- с плоским порогом 20 мм, с низким порогом 100 мм, со стандартным порогом 145 мм (АЛПС, ПО).

Состав: промежуточная калиточная панель с установленными калиточными профилями.

Единица измерения шт.

| Артикул | Цвет* | Применение |
|---------|--|-----------------------------|
| LPA-32 | A00-D6, RAL 9016, 8014, 9006, 5010, 1015, 3004, 6005, 8017, 7016** | Для ворот с правой калиткой |
| | Другой цвет по каталогу RAL или ADS703 | |
| LPA-42 | A00-D6, RAL 9016, 8014, 9006, 5010, 1015, 3004, 6005, 8017, 7016** | Для ворот с левой калиткой |
| | Другой цвет по каталогу RAL или ADS703 | |



* Указанные цвета имеют близкое соответствие шкале RAL.

** Стандартные цвета.

Панель промежуточная

Серия ворот:

- панорамные ворота AluPro;
- гаражные ворота Prestige (ПО серия AluPro);
- промышленные ворота ProPlus (ПО серия AluPro).

Тип полотна ворот: АЛП, АЛПС, ПО.

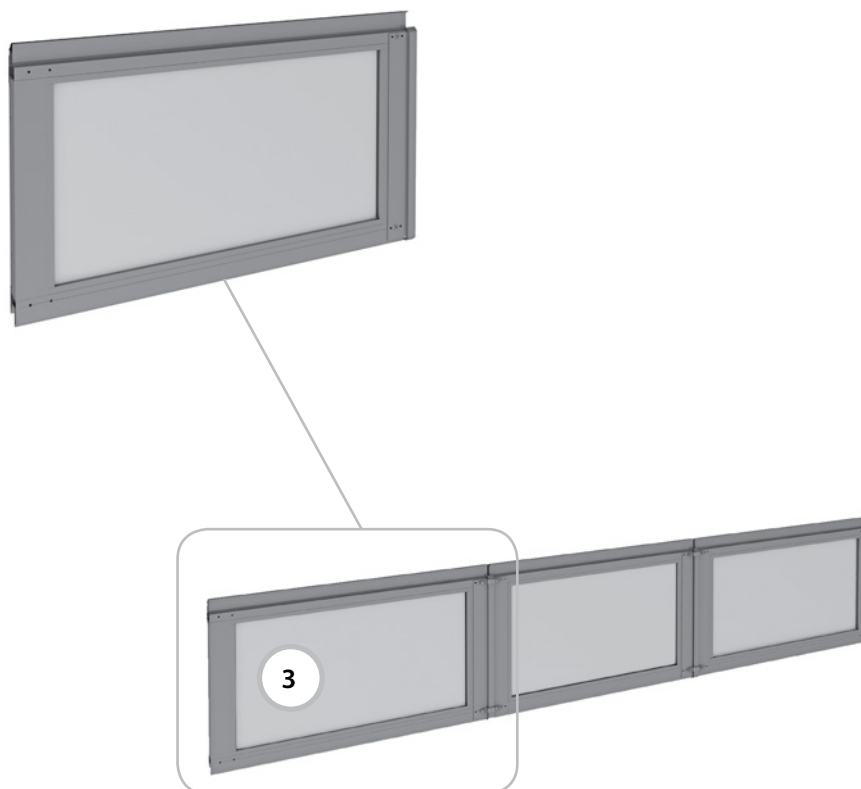
Тип калитки:

- с плоским порогом 20 мм, со стандартным порогом 149 мм (АЛП);
- с плоским порогом 20 мм, с низким порогом 100 мм, со стандартным порогом 145 мм (АЛПС, ПО).

Состав: промежуточные панели калитки с установленными калиточными профилями.

Единица измерения шт.

| Артикул | Цвет* | Применение |
|---------|--|-----------------------------|
| LPA-33 | A00-D6, RAL 9016, 8014, 9006, 5010, 1015, 3004, 6005, 8017, 7016** | Для ворот с правой калиткой |
| | Другой цвет по каталогу RAL или ADS703 | |
| LPA-43 | A00-D6, RAL 9016, 8014, 9006, 5010, 1015, 3004, 6005, 8017, 7016** | Для ворот с левой калиткой |
| | Другой цвет по каталогу RAL или ADS703 | |



* Указанные цвета имеют близкое соответствие шкале RAL.

** Стандартные цвета.

Панель промежуточная

Серия ворот:

- панорамные ворота AluPro;
- гаражные ворота Prestige (ПО серия AluPro);
- промышленные ворота ProPlus (ПО серия AluPro).

Тип полотна ворот: АЛП, АЛПС, ПО.

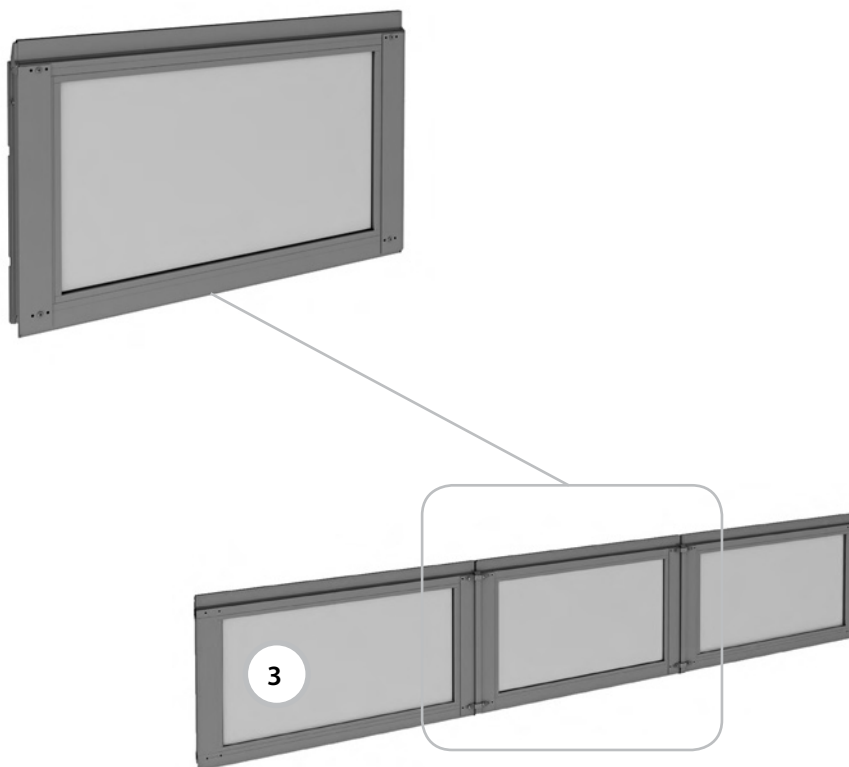
Тип калитки:

- с плоским порогом 20 мм, со стандартным порогом 149 мм (АЛП);
- с плоским порогом 20 мм, с низким порогом 100 мм, со стандартным порогом 145 мм (АЛПС, ПО).

Состав: промежуточные панели калитки с установленными калиточными профилями.

Единица измерения шт.

| Артикул | Цвет* | Применение |
|---------|--|-----------------------------|
| LPA-34 | A00-D6, RAL 9016, 8014, 9006, 5010, 1015, 3004, 6005, 8017, 7016** | Для ворот с правой калиткой |
| | Другой цвет по каталогу RAL или ADS703 | |
| LPA-44 | A00-D6, RAL 9016, 8014, 9006, 5010, 1015, 3004, 6005, 8017, 7016** | Для ворот с левой калиткой |
| | Другой цвет по каталогу RAL или ADS703 | |



* Указанные цвета имеют близкое соответствие шкале RAL.

** Стандартные цвета.

Панель промежуточная

Серия ворот:

- панорамные ворота AluPro;
- гаражные ворота Prestige (ПО серия AluPro);
- промышленные ворота ProPlus (ПО серия AluPro).

Тип полотна ворот: АЛП, АЛПС, ПО.

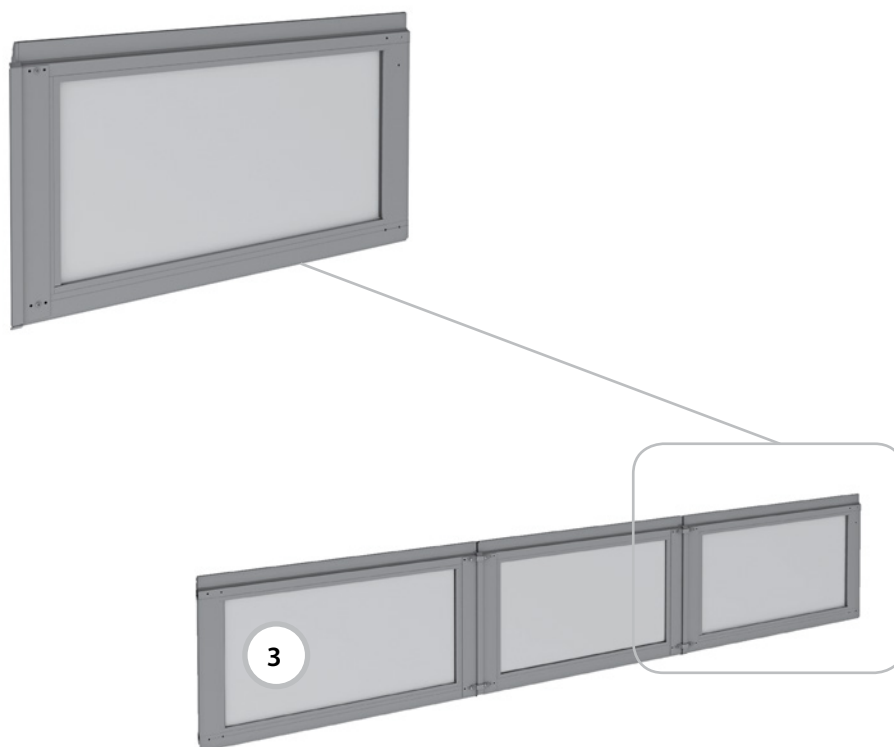
Тип калитки:

- с плоским порогом 20 мм, со стандартным порогом 149 мм (АЛП);
- с плоским порогом 20 мм, с низким порогом 100 мм, со стандартным порогом 145 мм (АЛПС, ПО).

Состав: промежуточные панели калитки с установленными калиточными профилями.

Единица измерения шт.

| Артикул | Цвет* | Применение |
|---------|--|-----------------------------|
| LPA-35 | A00-D6, RAL 9016, 8014, 9006, 5010, 1015, 3004, 6005, 8017, 7016** | Для ворот с правой калиткой |
| | Другой цвет по каталогу RAL или ADS703 | |
| LPA-45 | A00-D6, RAL 9016, 8014, 9006, 5010, 1015, 3004, 6005, 8017, 7016** | Для ворот с левой калиткой |
| | Другой цвет по каталогу RAL или ADS703 | |



* Указанные цвета имеют близкое соответствие шкале RAL.

** Стандартные цвета.

Панель промежуточная

Серия ворот:

- панорамные ворота AluPro;
- гаражные ворота Prestige (ПО серия AluPro);
- промышленные ворота ProPlus (ПО серия AluPro).

Тип полотна ворот: АЛП, АЛПС, ПО.

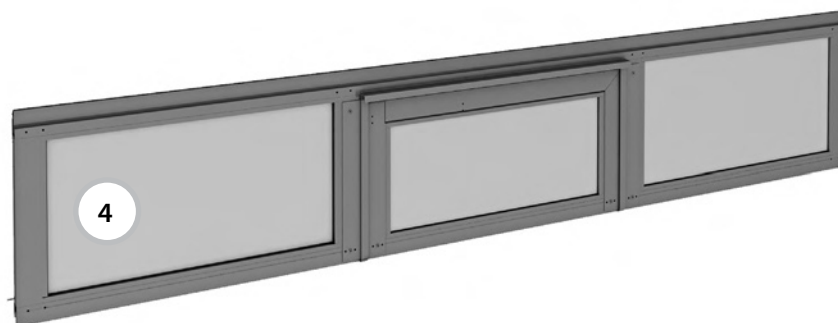
Тип калитки:

- с плоским порогом 20 мм, со стандартным порогом 149 мм (АЛП);
- с плоским порогом 20 мм, с низким порогом 100 мм, со стандартным порогом 145 мм (АЛПС, ПО).

Состав: верхняя калиточная панель с установленными калиточными профилями.

Единица измерения шт.

| Артикул | Цвет* | Применение |
|---------|--|-----------------------------|
| LPA-36 | A00-D6, RAL 9016, 8014, 9006, 5010, 1015, 3004, 6005, 8017, 7016** | Для ворот с правой калиткой |
| | Другой цвет по каталогу RAL или ADS703 | |
| LPA-46 | A00-D6, RAL 9016, 8014, 9006, 5010, 1015, 3004, 6005, 8017, 7016** | Для ворот с левой калиткой |
| | Другой цвет по каталогу RAL или ADS703 | |



* Указанные цвета имеют близкое соответствие шкале RAL.

** Стандартные цвета.

Панель промежуточная

Серия ворот:

- панорамные ворота AluPro;
- гаражные ворота Prestige (ПО серия AluPro);
- промышленные ворота ProPlus (ПО серия AluPro).

Тип полотна ворот: АЛП, АЛПС, ПО.

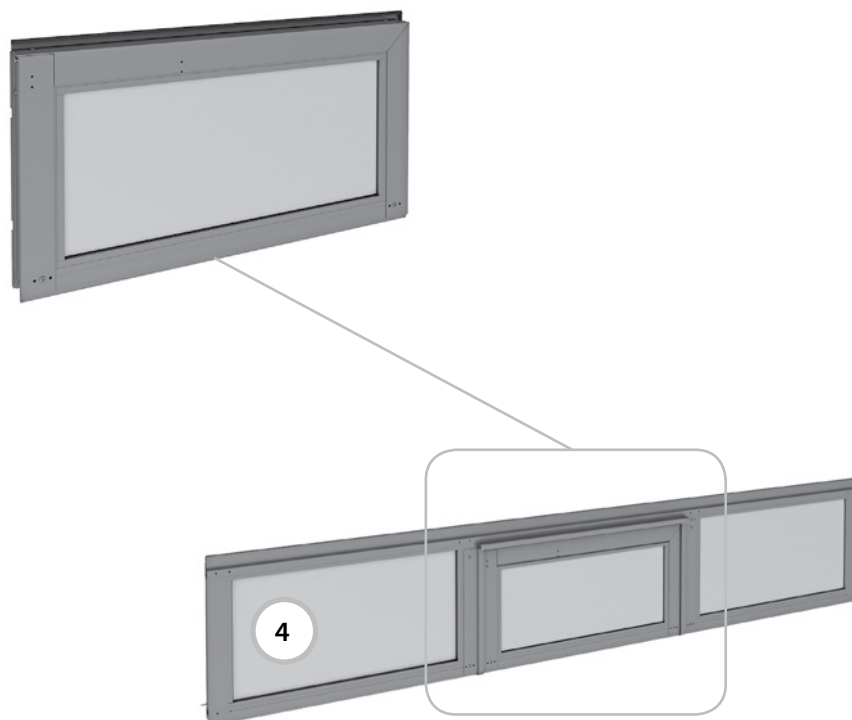
Тип калитки:

- с плоским порогом 20 мм, со стандартным порогом 149 мм (АЛП);
- с плоским порогом 20 мм, с низким порогом 100 мм, со стандартным порогом 145 мм (АЛПС, ПО).

Состав: верхняя калиточная панель с установленными калиточными профилями.

Единица измерения шт.

| Артикул | Цвет* | Применение |
|---------|--|-----------------------------|
| LPA-37 | A00-D6, RAL 9016, 8014, 9006, 5010, 1015, 3004, 6005, 8017, 7016** | Для ворот с правой калиткой |
| | Другой цвет по каталогу RAL или ADS703 | |
| LPA-47 | A00-D6, RAL 9016, 8014, 9006, 5010, 1015, 3004, 6005, 8017, 7016** | Для ворот с левой калиткой |
| | Другой цвет по каталогу RAL или ADS703 | |



* Указанные цвета имеют близкое соответствие шкале RAL.

** Стандартные цвета.

Панель промежуточная

Серия ворот:

- панорамные ворота AluPro;
- гаражные ворота Prestige (ПО серия AluPro);
- промышленные ворота ProPlus (ПО серия AluPro).

Тип полотна ворот: АЛП, АЛПС, ПО.

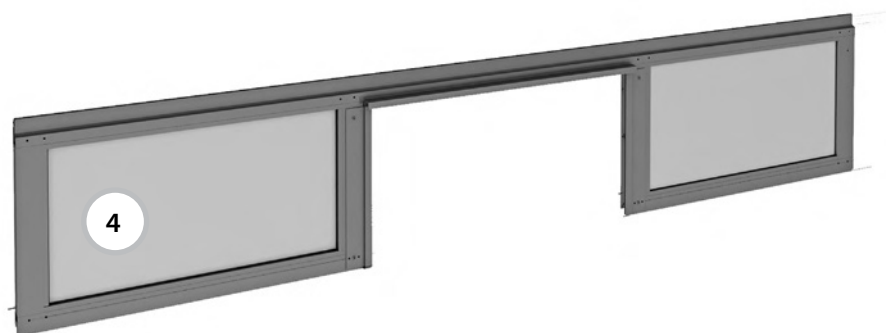
Тип калитки:

- с плоским порогом 20 мм, со стандартным порогом 149 мм (АЛП);
- с плоским порогом 20 мм, с низким порогом 100 мм, со стандартным порогом 145 мм (АЛПС, ПО).

Состав: верхняя калиточная панель с установленными калиточными профилями.

Единица измерения шт.

| Артикул | Цвет* | Применение |
|---------|--|-----------------------------|
| LPA-38 | A00-D6, RAL 9016, 8014, 9006, 5010, 1015, 3004, 6005, 8017, 7016** | Для ворот с правой калиткой |
| | Другой цвет по каталогу RAL или ADS703 | |
| LPA-48 | A00-D6, RAL 9016, 8014, 9006, 5010, 1015, 3004, 6005, 8017, 7016** | Для ворот с левой калиткой |
| | Другой цвет по каталогу RAL или ADS703 | |



* Указанные цвета имеют близкое соответствие шкале RAL.

** Стандартные цвета.

СИСТЕМА БАЛАНСИРОВКИ ПОЛОТНА ВОРОТ

Механизм пружинно-инерционный

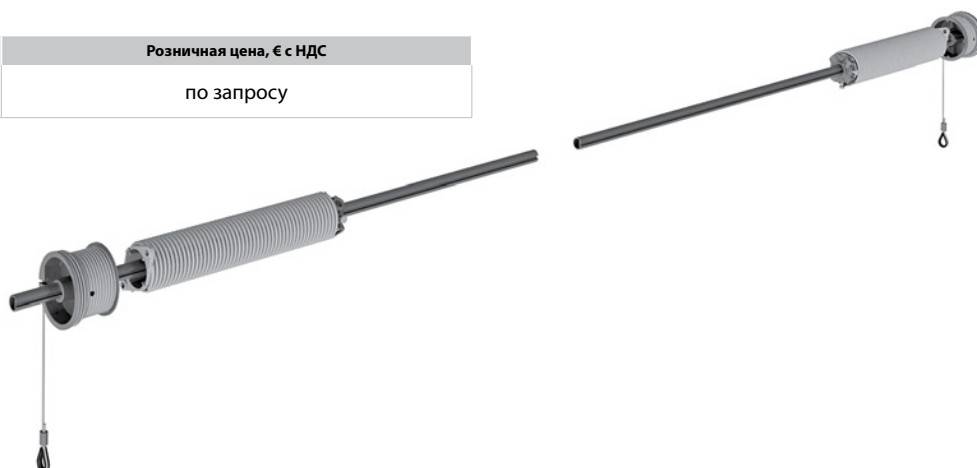
Тип ворот:

- гаражные ворота Prestige с торсионными пружинами всех типов монтажа;
- промышленных ворот ProPlus.

Состав: вал (или два вала), пружины с пружинными наконечниками, барабаны, два собранных с кошами троса.

Единица измерения шт.

| Артикул | Розничная цена, € с НДС |
|---------|-------------------------|
| GTS-1 | по запросу |

**Элемент торсионный**

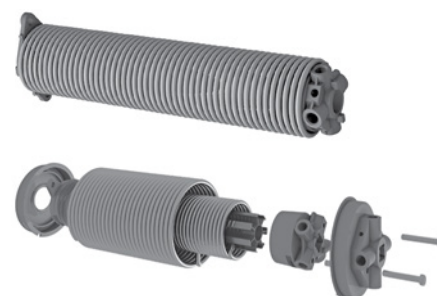
Тип ворот:

- гаражные ворота Prestige с торсионными пружинами всех типов монтажа;
- промышленных ворот ProPlus.

Состав:

- торсионная пружина с пружинными наконечниками (ТКУ-1-4);
- торсионная пружина с пружинными наконечниками, проставочный профиль (ТКУ-5 — ТКУ-8);
- дуплексная пружина с пружинными наконечниками, проставочный профиль (ТКУ-9, ТКУ-11).

Единица измерения шт.



| Артикул | Диаметр пружины, мм | Тип ворот | Примечание |
|---------|-------------------------------------|---|------------|
| ТКУ-1 | 51 | Гаражные ворота Prestige Промышленные ворота ProPlus | Левая |
| ТКУ-2 | | | Правая |
| ТКУ-3 | 67 | Гаражные ворота Prestige Промышленные ворота ProPlus | Левая |
| ТКУ-4 | | | Правая |
| ТКУ-5 | 95 | Гаражные ворота Prestige Промышленные ворота ProPlus | Левая |
| ТКУ-6 | | | Правая |
| ТКУ-7 | 152 | Промышленные ворота ProPlus | Левая |
| ТКУ-8 | | | Правая |
| ТКУ-9 | Дуплексная пружина (95 + 152 мм) | Промышленные ворота ProPlus | Левая |
| ТКУ-11 | | | Правая |

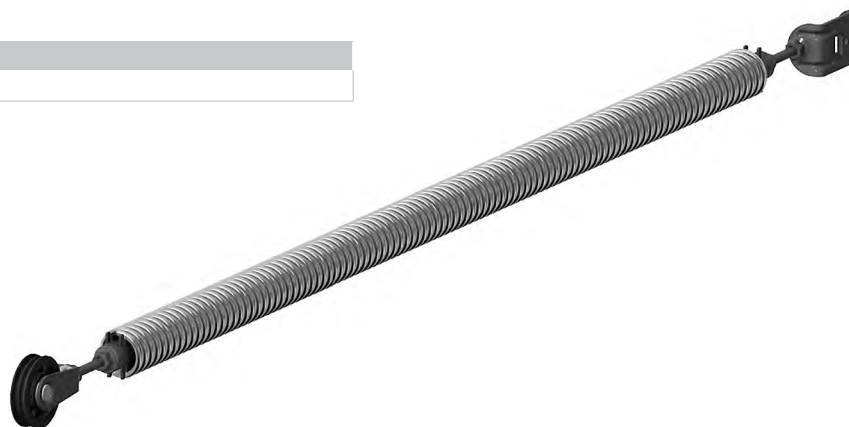
Элемент растяжения

Тип ворот: гаражные ворота Prestige с пружинами растяжения.

Состав: пружина растяжения в сборе (внешняя и внутренняя пружина, фиксатор, узел верхний, кронштейн).

Единица измерения шт.

| Артикул |
|---------|
| TKU-13 |



Элемент торсионного вала

Тип ворот:

- гаражные ворота серии Prestige всех типов монтажа;
- промышленные ворота ProPlus всех типов монтажа.

Состав: барабаны, два собранных с коушами троса.

Единица измерения шт.



| Артикул | Тип барабана | Типы ворот и монтажа |
|---------|--------------|---|
| TKU-21 | CD010N | Гаражные ворота Prestige: стандартный и низкий монтаж Промышленные ворота ProPlus: стандартный, низкий, наклонный (5°–40°), наклонный низкий (5°–40°), низкий с передним расположением вала типы монтажа |
| TKU-22 | CD012N | Гаражные ворота Prestige: стандартный и низкий монтаж Промышленные ворота ProPlus: стандартный, низкий, наклонный (5°–40°), наклонный низкий (5°–40°), низкий с передним расположением вала типы монтажа |
| TKU-23 | CD018N | Промышленные ворота ProPlus: стандартный, низкий, наклонный (5°–40°), наклонный низкий (5°–40°), низкий с передним расположением вала типы монтажа |
| TKU-24 | CD032N | |
| TKU-25 | CD032N-5/4 | |
| TKU-26 | CD054H | Гаражные ворота Prestige: высокий монтаж. Промышленные ворота ProPlus: высокий и наклонный высокий (5°–40°) монтаж с верхним расположением вала, высокий и наклонный высокий (5°–40°) монтаж с нижним расположением вала |
| TKU-27 | CD120H | Промышленные ворота ProPlus: высокий и наклонный высокий (5°–40°) монтаж с верхним расположением вала, высокий и наклонный высокий (5°–40°) монтаж с нижним расположением вала |
| TKU-28 | CD164H | |
| TKU-29 | CD164H-5/4 | |
| TKU-30 | CD011V | Промышленные ворота ProPlus: вертикальный монтаж с верхним и нижним расположением вала, все типы наклонных монтажей (45°) |
| TKU-31 | CD018V | |
| TKU-32 | CD018V-5/4 | |

СИСТЕМА НАПРАВЛЯЮЩИХ

Стойка вертикальная

Тип ворот:

- гаражные ворота Prestige с торсионными пружинами;
- гаражные ворота Prestige с пружинами растяжения.

Состав: угловой профиль, вертикальная направляющая, кронштейн шкива (низкий тип монтажа), соединительные пластины, боковой уплотнитель.

Единица измерения шт.

| Артикул | Тип ворот/тип монтажа | Примечание |
|---------|-----------------------------|------------|
| НКГ-4 | Prestige/стандартный монтаж | Левая |
| НКГ-5 | | Правая |
| НКГ-9 | Prestige/низкий монтаж | Левая |
| НКГ-10 | | Правая |
| НКГ-18 | Prestige/пружины растяжения | Левая |
| НКГ-19 | | Правая |

**Стойка вертикальная**

Тип ворот: гаражные ворота серии Prestige высокого типа монтажа.

Состав: угловой профиль, вертикальная направляющая, соединительные пластины, боковой уплотнитель.

Единица измерения шт.

| Артикул | Примечание |
|---------|------------|
| НКГ-22 | Левая |
| НКГ-23 | Правая |



1.1

1.2

1.3

1.4

1.5

2

3

4

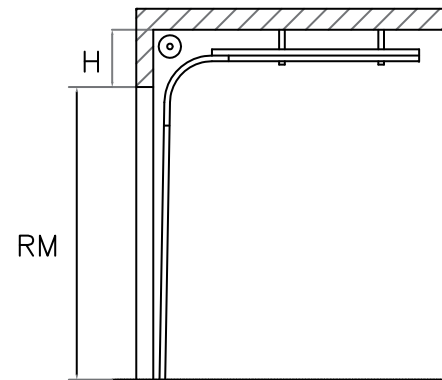
Стойка вертикальная

Тип ворот: промышленные ворота ProPlus.

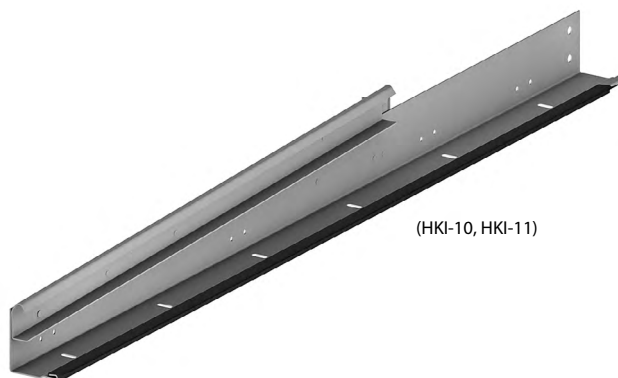
Тип монтажа: стандартный.

Состав: угловой профиль, вертикальная направляющая, соединительные пластины, боковой уплотнитель.

Единица измерения шт.



| Артикул | Применение система подвеса) | Примечание |
|---------|-----------------------------|-----------------------|
| HKI-10 | GSH-4 | Левая |
| HKI-11 | | Правая |
| HKI-14 | GSH-5 | Левая, нижняя часть |
| HKI-15 | | Правая, нижняя часть |
| HKI-16 | GSH-5 | Левая, верхняя часть |
| HKI-17 | | Правая, верхняя часть |

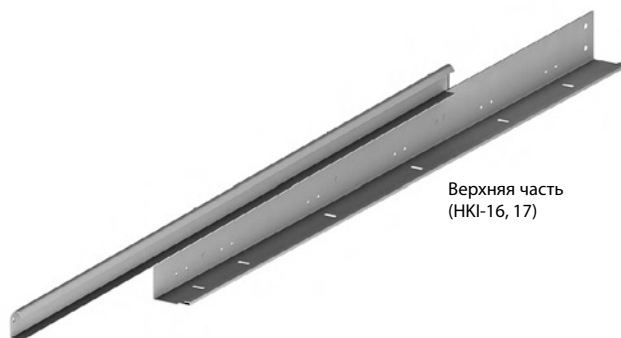


(HKI-10, HKI-11)

**Угловая стойка,
состоящая из цельного профиля**



Нижняя часть
(HKI-14, 15)



Верхняя часть
(HKI-16, 17)

**Угловая стойка,
состоящая из двух отдельных частей**

Стойка вертикальная

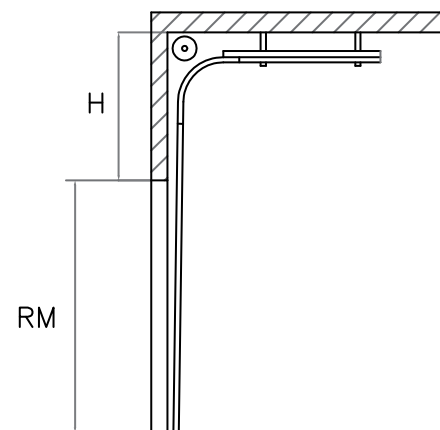
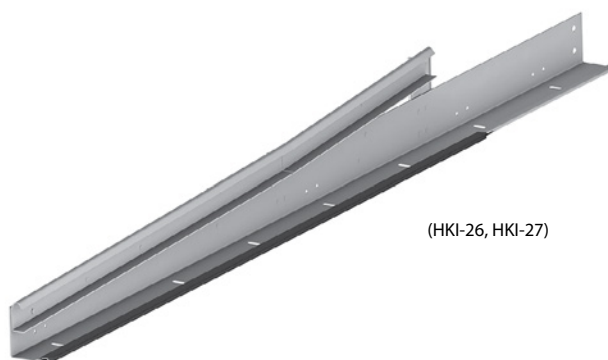
Тип ворот: промышленные ворота ProPlus.

Тип монтажа: высокий монтаж с верхним расположением вала.

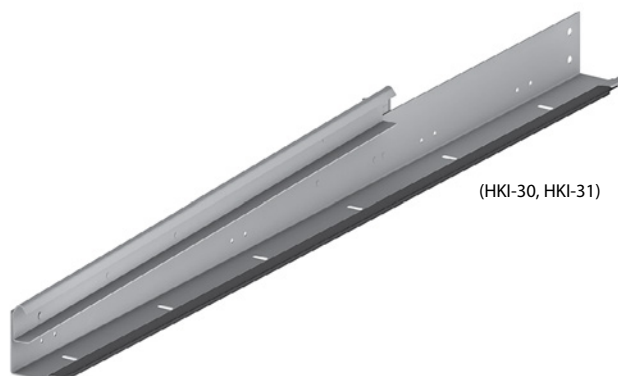
Состав: угловой профиль, вертикальная направляющая, соединительные пластины, боковой уплотнитель.

Единица измерения шт.

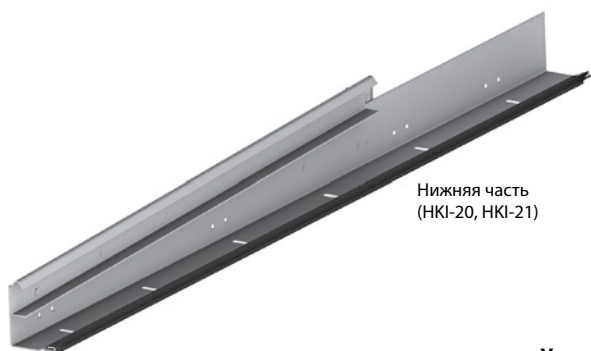
| Артикул | Применение (система подвеса) | Примечание |
|---------|------------------------------|-----------------------|
| HKI-20 | GSH-6 | Левая, нижняя часть |
| HKI-21 | | Правая, нижняя часть |
| HKI-22 | GSH-6 | Левая, верхняя часть |
| HKI-23 | | Правая, верхняя часть |
| HKI-26 | GSH-7 | Левая |
| HKI-27 | | Правая |
| HKI-30 | GSH-8 | Левая |
| HKI-31 | | Правая |

**Высокий тип монтажа
с верхним расположением вала**

(HKI-26, HKI-27)



(HKI-30, HKI-31)

**Угловая стойка,
состоящая из цельного профиля**Нижняя часть
(HKI-20, HKI-21)Верхняя часть
(HKI-30, HKI-31)**Угловая стойка,
состоящая из двух отдельных частей**

Стойка вертикальная

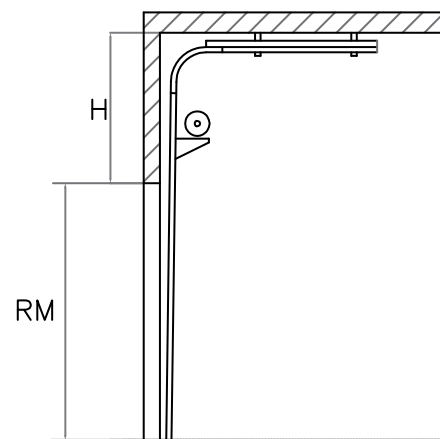
Тип ворот: промышленные ворота ProPlus.

Тип монтажа: высокий монтаж с нижним расположением вала.

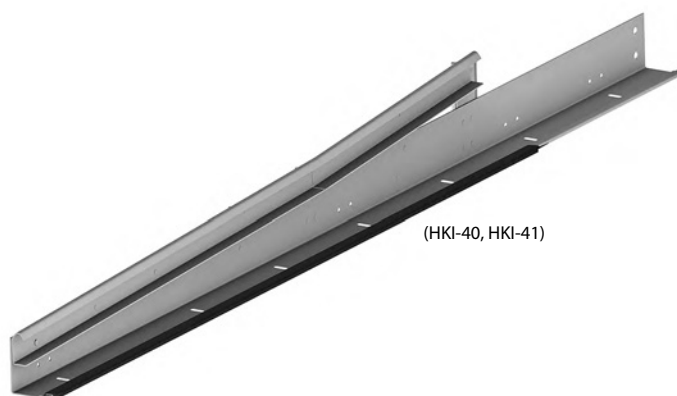
Состав: угловой профиль, вертикальная направляющая, соединительные пластины, боковой уплотнитель.

Единица измерения шт.

| Артикул | Применение (система подвеса) | Примечание |
|---------|------------------------------|-----------------------|
| HKI-34 | GSH-9 | Левая, нижняя часть |
| HKI-35 | | Правая, нижняя часть |
| HKI-36 | GSH-9 | Левая, верхняя часть |
| HKI-37 | | Правая, верхняя часть |
| HKI-40 | GSH-10 | Левая |
| HKI-41 | | Правая |



**Высокий тип монтажа
с нижним расположением вала**



(HKI-40, HKI-41)

**Угловая стойка,
состоящая из цельного профиля**



Нижняя часть
(HKI-34, HKI-35)



Верхняя часть
(HKI-36, HKI-37)

**Угловая стойка,
состоящая из двух отдельных частей**

Стойка вертикальная

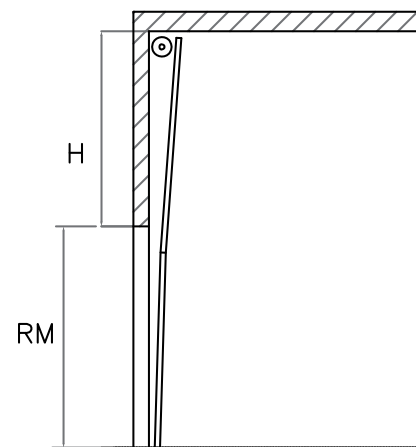
Тип ворот: промышленные ворота ProPlus.

Тип монтажа: вертикальный монтаж с верхним расположением вала.

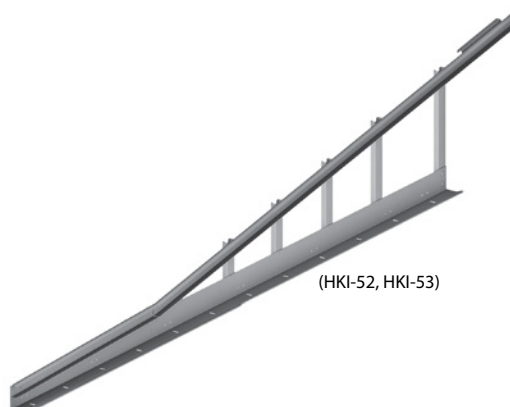
Состав: угловой профиль, вертикальная направляющая, соединительные пластины, боковой уплотнитель.

Единица измерения шт.

| Артикул | Применение (система подвеса) | Примечание |
|---------|------------------------------|-----------------------|
| HKI-48 | GSH-12 | Левая, нижняя часть |
| HKI-49 | | Правая, нижняя часть |
| HKI-50 | GSH-12 | Левая, верхняя часть |
| HKI-51 | | Правая, верхняя часть |
| HKI-52 | GSH-13 | Левая |
| HKI-53 | | Правая |

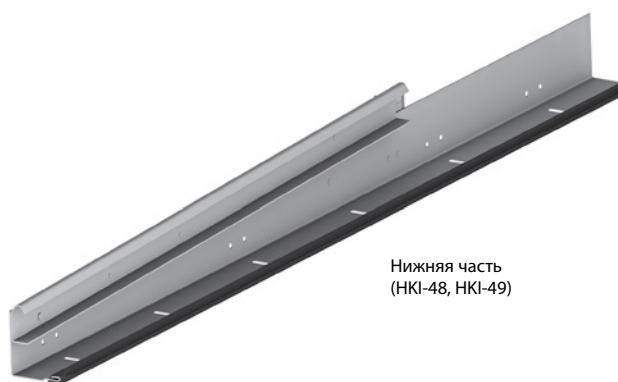


Вертикальный тип монтажа
с верхним расположением вала



(HKI-52, HKI-53)

Угловая стойка,
состоящая из цельного профиля



Нижняя часть
(HKI-48, HKI-49)



Верхняя часть
(HKI-50, HKI-51)

Угловая стойка,
состоящая из двух отдельных частей

Стойка вертикальная

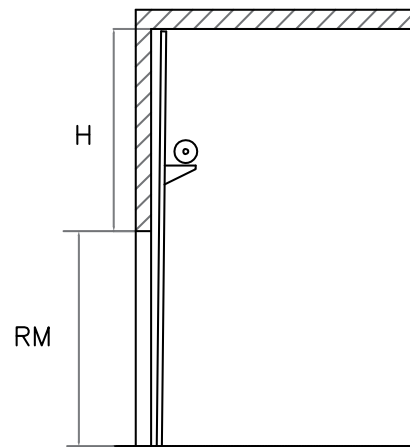
Тип ворот: промышленные ворота ProPlus.

Тип монтажа: вертикальный монтаж с нижним расположением вала.

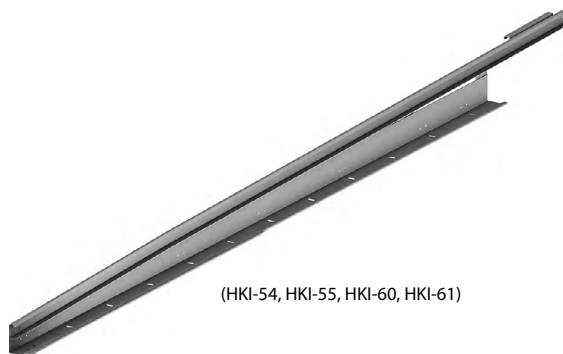
Состав: угловой профиль, вертикальная направляющая, соединительные пластины, боковой уплотнитель.

Единица измерения шт.

| Артикул | Применение (система подвеса) | Примечание |
|---------|------------------------------|-----------------------|
| HKI-54 | GSH-14 | Левая |
| HKI-55 | | Правая |
| HKI-60 | GSH-16 | Левая |
| HKI-61 | | Правая |
| HKI-56 | GSH-15 | Левая, нижняя часть |
| HKI-57 | | Правая, нижняя часть |
| HKI-58 | GSH-15 | Левая, верхняя часть |
| HKI-59 | | Правая, верхняя часть |



Вертикальный тип монтажа с нижним расположением вала

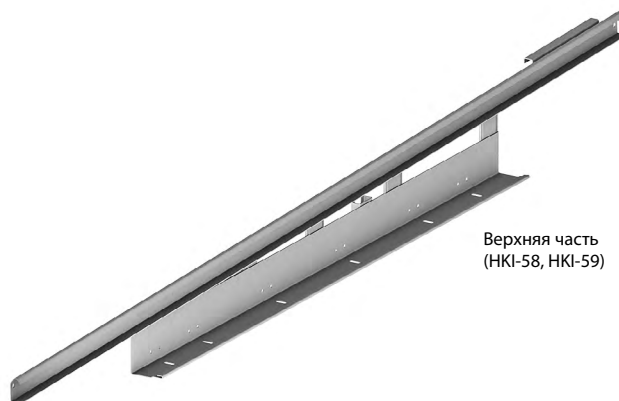


(HKI-54, HKI-55, HKI-60, HKI-61)

Угловая стойка, состоящая из цельного профиля



Нижняя часть
(HKI-56, HKI-57)



Верхняя часть
(HKI-58, HKI-59)

Угловая стойка, состоящая из двух отдельных частей

Стойка вертикальная

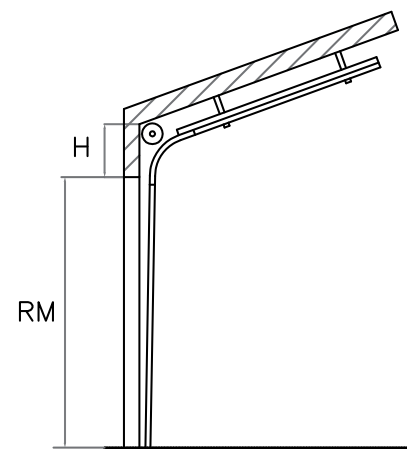
Тип ворот: промышленные ворота ProPlus.

Тип монтажа: наклонный.

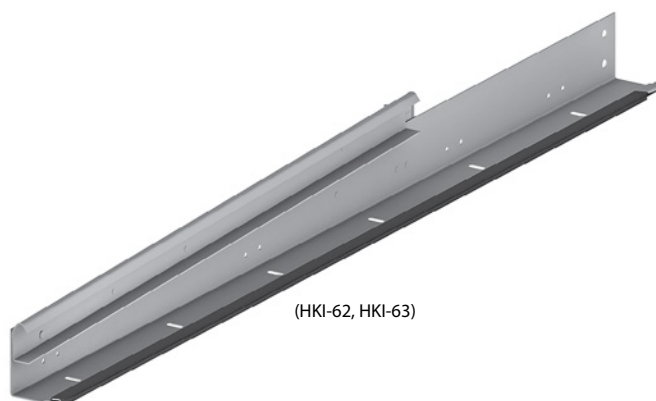
Состав: угловой профиль, вертикальная направляющая, соединительные пластины, боковой уплотнитель.

Единица измерения шт.

| Артикул | Применение (система подвеса) | Примечание |
|---------|------------------------------|-----------------------|
| HKI-62 | GSH-19 | Левая |
| HKI-63 | | Правая |
| HKI-66 | GSH-20 | Левая, нижняя часть |
| HKI-67 | | Правая, нижняя часть |
| HKI-68 | GSH-20 | Левая, верхняя часть |
| HKI-69 | | Правая, верхняя часть |



Наклонный тип монтажа

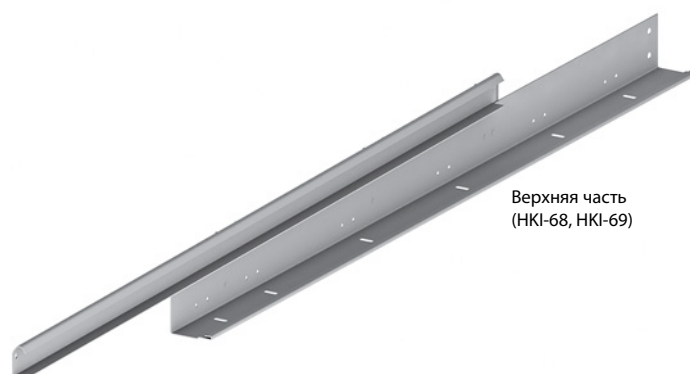


(HKI-62, HKI-63)

Угловая стойка,
состоящая из цельного профиля



Нижняя часть
(HKI-66, HKI-67)



Верхняя часть
(HKI-68, HKI-69)

Угловая стойка,
состоящая из двух отдельных частей

Стойка вертикальная

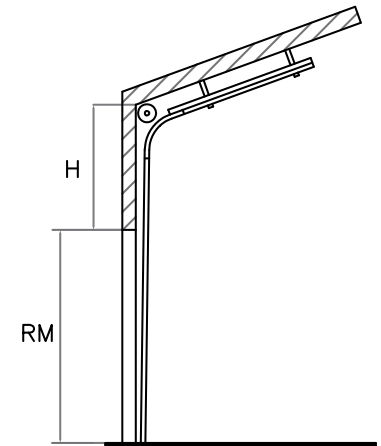
Тип ворот: промышленные ворота ProPlus.

Тип монтажа: наклонный высокий монтаж с верхним расположением вала.

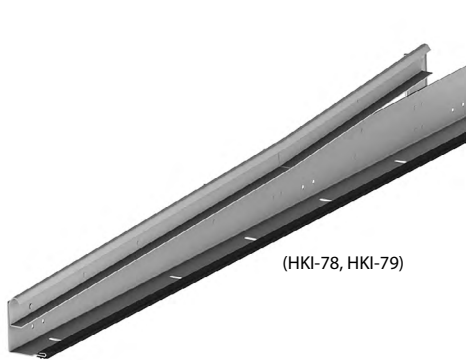
Состав: угловой профиль, вертикальная направляющая, соединительные пластины, боковой уплотнитель.

Единица измерения шт.

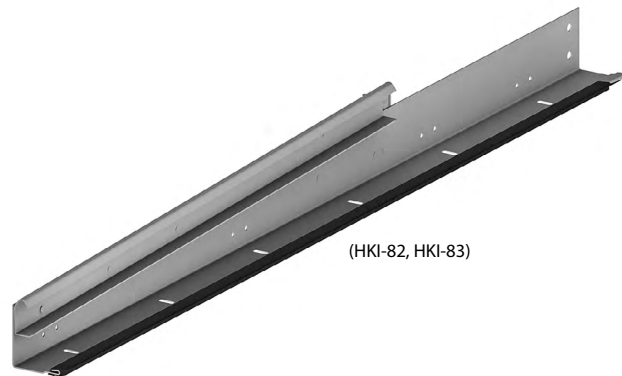
| Артикул | Применение (система подвеса) | Примечание |
|---------|------------------------------|-----------------------|
| HKI-72 | GSH-21 | Левая, нижняя часть |
| HKI-73 | | Правая, нижняя часть |
| HKI-74 | GSH-21 | Левая, верхняя часть |
| HKI-75 | | Правая, верхняя часть |
| HKI-78 | GSH-22 | Левая |
| HKI-79 | | Правая |
| HKI-82 | GSH-23 | Левая |
| HKI-83 | | Правая |



Наклонный высокий тип монтажа с верхним расположением вала



(HKI-78, HKI-79)

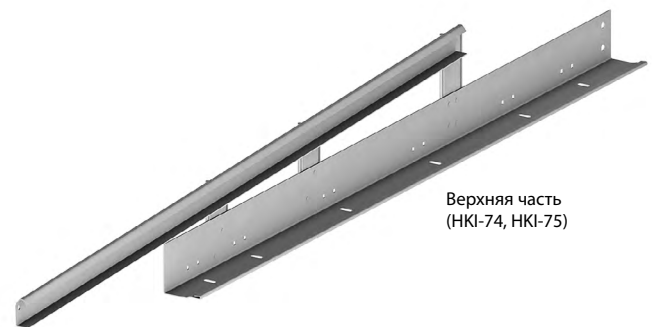


(HKI-82, HKI-83)

Угловая стойка, состоящая из цельного профиля



Нижняя часть
(HKI-72, HKI-73)



Верхняя часть
(HKI-74, HKI-75)

Угловая стойка, состоящая из двух отдельных частей

Стойка вертикальная

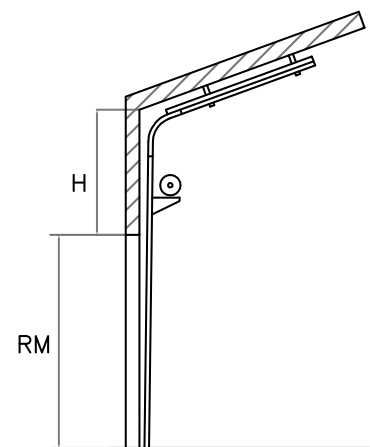
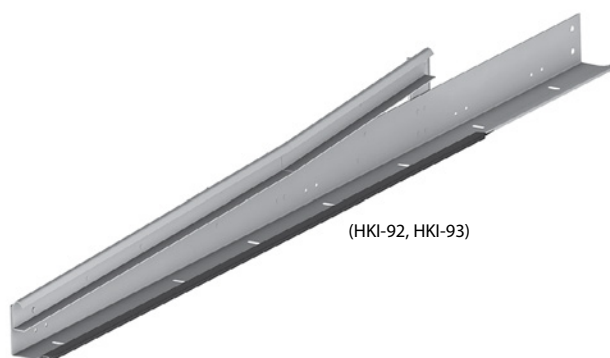
Тип ворот: промышленные ворота ProPlus.

Тип монтажа: наклонный высокий монтаж с нижним расположением вала.

Состав: угловой профиль, вертикальная направляющая, соединительные пластины, боковой уплотнитель.

Единица измерения шт.

| Артикул | Применение (система подвеса) | Примечание |
|---------|------------------------------|-----------------------|
| HKI-86 | GSH-24 | Левая, нижняя часть |
| HKI-87 | | Правая, нижняя часть |
| HKI-88 | GSH-24 | Левая, верхняя часть |
| HKI-89 | | Правая, верхняя часть |
| HKI-92 | GSH-25 | Левая |
| HKI-93 | | Правая |

**Наклонный высокий тип монтажа с нижним расположением вала**

(HKI-92, HKI-93)

Угловая стойка, состоящая из цельного профиляНижняя часть
(HKI-86, HKI-87)Верхняя часть
(HKI-88, HKI-89)**Угловая стойка, состоящая из двух отдельных частей**

1.1

1.2

1.3

1.4

1.5

2

3

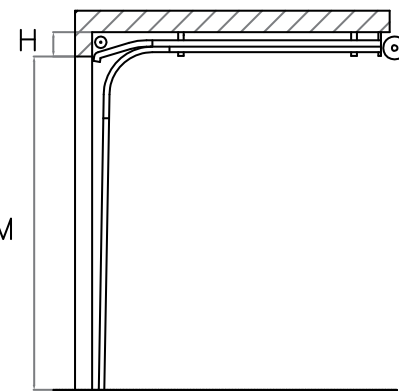
4

Стойка вертикальная

Тип ворот: промышленные ворота ProPlus.
Тип монтажа: низкий.

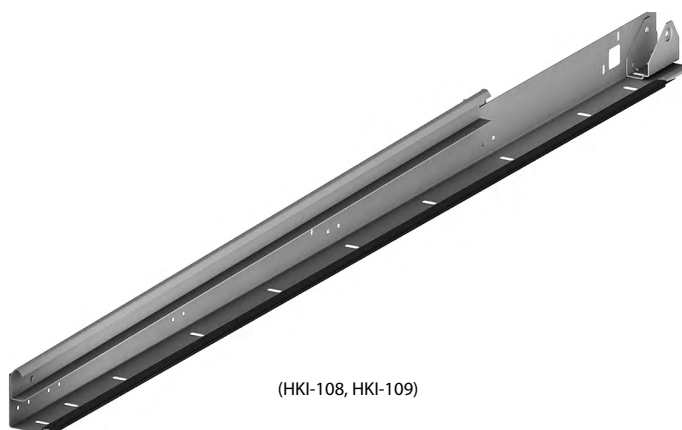
Состав: угловой профиль, вертикальная направляющая, соединительные пластины, боковой уплотнитель, кронштейн для установки шкива.

Единица измерения шт.



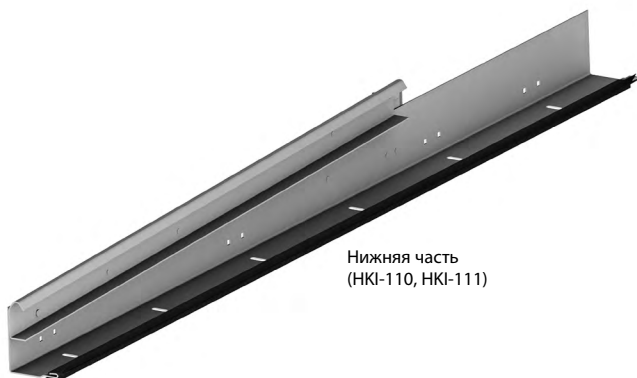
Низкий тип монтажа

| Артикул | Применение (система подвеса) | Примечание |
|---------|------------------------------|-----------------------|
| HKI-108 | GSH-17 | Левая |
| HKI-109 | | Правая |
| HKI-110 | GSH-18 | Левая, нижняя часть |
| HKI-111 | | Правая, нижняя часть |
| HKI-112 | GSH-18 | Левая, верхняя часть |
| HKI-113 | | Правая, верхняя часть |

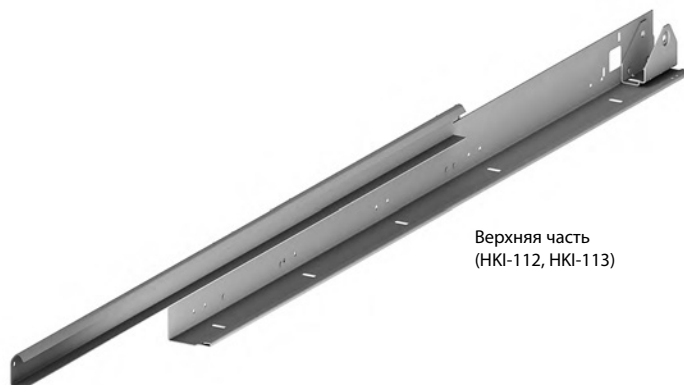


(HKI-108, HKI-109)

**Угловая стойка,
состоящая из цельного профиля**



Нижняя часть
(HKI-110, HKI-111)



Верхняя часть
(HKI-112, HKI-113)

**Угловая стойка,
состоящая из двух отдельных частей**

Стойка вертикальная

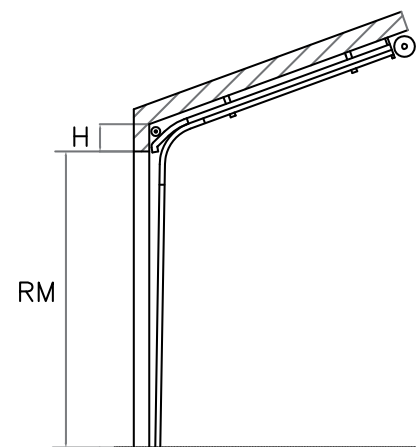
Тип ворот: промышленные ворота ProPlus.

Тип монтажа: наклонный низкий.

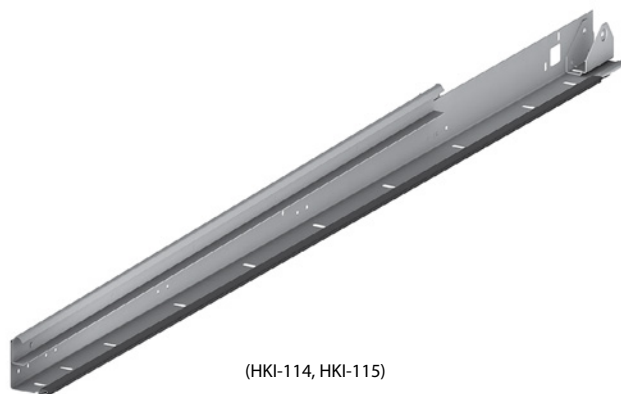
Состав: угловой профиль, вертикальная направляющая, соединительные пластины, боковой уплотнитель, кронштейн для установки шкива.

Единица измерения шт.

| Артикул | Применение (система подвеса) | Примечание |
|---------|------------------------------|-----------------------|
| HKI-114 | GSH-27 | Левая |
| HKI-115 | | Правая |
| HKI-116 | GSH-28 | Левая, нижняя часть |
| HKI-117 | | Правая, нижняя часть |
| HKI-118 | GSH-28 | Левая, верхняя часть |
| HKI-119 | | Правая, верхняя часть |



Наклонный низкий тип монтажа

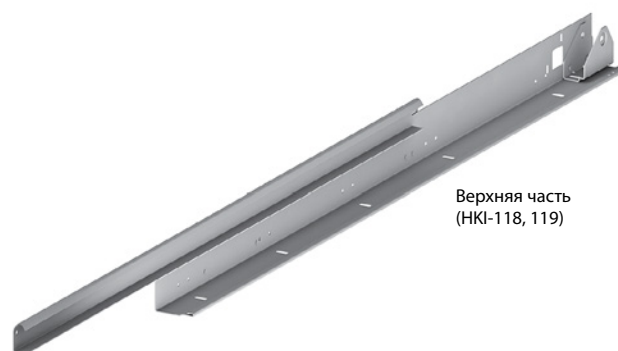


(HKI-114, HKI-115)

Угловая стойка,
состоящая из цельного профиля



Нижняя часть
(HKI-116, 117)



Верхняя часть
(HKI-118, 119)

Угловая стойка,
состоящая из двух отдельных частей

1.1

1.2

1.3

1.4

1.5

2

3

4

Нацельник

Тип ворот:

- гаражные ворота Prestige с пружинами растяжения;
- гаражные ворота Prestige низкого и стандартного типов монтажа;
- промышленные ворота ProPlus низкого и наклонного низкого типов монтажа.

Состав: профиль передний, вставка уплотнительная.

Единица измерения шт.

| Артикул | Тип ворот | Тип монтажа |
|---------|---------------------------------|------------------------------------|
| НKG-6 | Prestige | Стандартный |
| НKG-11 | Prestige | Низкий |
| | ProPlus | Низкий монтаж; наклонный низкий |
| НKG-15 | Prestige с пружинами растяжения | — |



Направляющая горизонтальная

Тип ворот:

- гаражные ворота Prestige с пружинами растяжения;
- гаражные ворота Prestige низкого и стандартного типов монтажа.

Состав: профиль направляющий горизонтальный, узел передний, соединительные пластины.

Единица измерения шт.

| Артикул | Тип ворот | Тип монтажа | Примечание |
|---------|---------------------------------|-------------|------------|
| НKG-7 | Prestige | Стандартный | Левая |
| НKG-8 | | | Правая |
| НKG-12 | Prestige | Низкий | Левая |
| НKG-13 | | | Правая |
| НKG-16 | Prestige с пружинами растяжения | — | Левая |
| НKG-17 | | | Правая |

**Направляющая горизонтальная**

Тип ворот: гаражные ворота Prestige высокого типа монтажа.

Состав: профиль направляющий горизонтальный, узел передний, соединительные пластины.

Единица измерения шт.

| Артикул | Примечание |
|---------|------------|
| НKG-20 | Левая |
| НKG-21 | Правая |



Направляющая горизонтальная

Тип ворот: промышленные ворота ProPlus всех типов монтажа кроме вертикальных.

Состав: профиль направляющий горизонтальный, узел передний, соединительные пластины.

Единица измерения шт.



| Артикул | Тип монтажа | Применение (система подвеса) | Примечание | |
|---------|--|---|------------|--------|
| НКИ-12 | Стандартный | GSH-4 | Левая | |
| НКИ-13 | | | Правая | |
| НКИ-18 | | GSH-5 | Левая | |
| НКИ-19 | | | Правая | |
| НКИ-24 | Высокий с верхним расположением вала | GSH-6 | Левая | |
| НКИ-25 | | | Правая | |
| НКИ-28 | | GSH-7 | Левая | |
| НКИ-29 | | | Правая | |
| НКИ-32 | | GSH-8 | Левая | |
| НКИ-33 | | | Правая | |
| НКИ-38 | | Высокий с нижним расположением вала | GSH-9 | Левая |
| НКИ-39 | | | | Правая |
| НКИ-42 | GSH-10 | | Левая | |
| НКИ-43 | | | Правая | |
| НКИ-64 | Наклонный | GSH-19 | Левая | |
| НКИ-65 | | | Правая | |
| НКИ-70 | | GSH-20 | Левая | |
| НКИ-71 | | | Правая | |
| НКИ-76 | Наклонный высокий с верхним расположением вала | GSH-21 | Левая | |
| НКИ-77 | | | Правая | |
| НКИ-80 | | GSH-22 | Левая | |
| НКИ-81 | | | Правая | |
| НКИ-84 | | GSH-23 | Левая | |
| НКИ-85 | | | Правая | |
| НКИ-90 | | Наклонный высокий с нижним расположением вала | GSH-24 | Левая |
| НКИ-91 | | | | Правая |
| НКИ-94 | GSH-25 | | Левая | |
| НКИ-95 | | | Правая | |
| НКИ-100 | Низкий | GSH-17 | Левая | |
| НКИ-101 | | | Правая | |
| НКИ-102 | | GSH-18 | Левая | |
| НКИ-103 | | | Правая | |
| НКИ-104 | Наклонный низкий | GSH-27 | Левая | |
| НКИ-105 | | | Правая | |
| НКИ-106 | | GSH-28 | Левая | |
| НКИ-107 | | | Правая | |

Система направляющих

Тип ворот:

- гаражные ворота серии Prestige низкого и стандартного типов монтажа;
- гаражные ворота серии Prestige с пружинами растяжения.

Состав: система горизонтальных и вертикальных направляющих (правая и левая), боковой уплотнитель, нащельник с уплотнителем, мерная планка.

Единица измерения шт.



| Артикул | Тип ворот | Тип монтажа |
|---------|---------------------------------|-------------|
| GSH-1 | Prestige | Стандартный |
| GSH-2 | Prestige | Низкий |
| GSH-29 | Prestige с пружинами растяжения | — |

1.1

1.2

1.3

1.4

Система направляющих

Тип ворот: гаражные ворота серии Prestige высокого типа монтажа.

Состав: система горизонтальных и вертикальных направляющих (правая и левая), боковой уплотнитель, мерная планка.

Единица измерения шт.



| Артикул |
|---------|
| GSH-3 |

1.5

2

3

4

Система направляющих

Тип ворот: промышленные ворота ProPlus стандартного и высоких типов монтажа.

Состав: система горизонтальных и вертикальных направляющих (правая и левая), боковой уплотнитель, мерная планка.

Единица измерения шт.

| Артикул | Тип монтажа |
|---------|--------------------------------------|
| GSH-4 | Стандартный |
| GSH-5 | |
| GSH-6 | Высокий с верхним расположением вала |
| GSH-7 | |
| GSH-8 | |
| GSH-9 | Высокий с нижним расположением вала |
| GSH-10 | |



Система направляющих

Тип ворот: промышленные ворота ProPlus низких типов монтажа.

Состав: система горизонтальных и вертикальных направляющих (правая и левая), боковой уплотнитель, мерная планка, кронштейн под установку шкива.

Единица измерения шт.

| Артикул | Тип монтажа |
|---------|------------------|
| GSH-17 | Низкий |
| GSH-18 | |
| GSH-27 | Наклонный низкий |
| GSH-28 | |



Низкий монтаж



Наклонный низкий

1.1

1.2

1.3

1.4

1.5

2

3

4

Система направляющих

Тип ворот: промышленные ворота ProPlus вертикальных типов монтажа.

Состав: система вертикальных направляющих (правая и левая), боковой уплотнитель, мерная планка.

Единица измерения шт.

| Артикул | Тип монтажа |
|---------|---|
| GSH-12 | Вертикальный с верхним расположением вала |
| GSH-13 | |
| GSH-14 | |
| GSH-15 | Вертикальный с нижним расположением вала |
| GSH-16 | |



**Вертикальный монтаж
с верхним расположением вала**



**Вертикальный монтаж
с нижним расположением вала**

Система направляющих

Тип ворот: промышленные ворота ProPlus наклонных типов монтажа.

Состав: система вертикальных и горизонтальных направляющих (правая и левая), боковой уплотнитель, мерная планка.

Единица измерения шт.

| Артикул | Тип монтажа |
|---------|--|
| GSH-19 | Наклонный |
| GSH-20 | |
| GSH-21 | Наклонный высокий с верхним расположением вала |
| GSH-22 | |
| GSH-23 | |
| GSH-24 | Наклонный высокий с нижним расположением вала |
| GSH-25 | |



**Наклонный высокий монтаж
с верхним расположением вала**



**Наклонный высокий монтаж
с нижним расположением вала**



Наклонный



ООО «Алютех Воротные Системы»



СООО «Алюмин Техно»



ООО «Алютех Инкорпорейтед»

Группа компаний «АЛЮТЕХ» является одним из лидеров рынка роллетных систем и секционных ворот в Западной и Восточной Европе, ведущим производителем алюминиевых профильных систем на территории СНГ. Холдинг «АЛЮТЕХ» включает в себя пять производственных предприятий, а также более 20 сбытовых компаний в СНГ и Европе.

С 2016 года Группа компаний «АЛЮТЕХ» начала производство перегрузочного оборудования. Продуктовый портфель компании дополнили решения для организации эффективной работы складов и логистических центров: докшелтеры, доклевеллеры, перегрузочные посты и площадки.

В 2017 году холдинг расширил ассортимент, выпустив собственную линейку технологичной и концептуальной автоматики для въездных, гаражных и промышленных ворот.

Все предприятия «АЛЮТЕХ» оснащены высокотехнологичным оборудованием, таким как:

- комплекс по окраске и раскрою алюминиевой и стальной ленты,
- роллформинговые линии,
- автоматизированные комплексы литья под давлением,
- линии по производству воротного полотна и сэндвич-панелей для секционных ворот,
- автоматизированные склады хранения и сортировки продукции,
- литейный комплекс по выпуску алюминиевых слитков,
- линии по производству алюминиевых экструдированных профилей,
- горизонтальная и вертикальные линии порошковой окраски,
- крупнейший в СНГ комплекс по анодированию алюминиевых профилей.

Наличие собственных производственных комплексов позволяет специалистам Группы компаний «АЛЮТЕХ» контролировать качество продукции на всех этапах производственного процесса: от разработки проекта, закупки сырьевых материалов до выпуска готовой продукции и ее упаковки. Система менеджмента качества на всех предприятиях Группы сертифицирована на соответствие требованиям международных стандартов ISO 9001 и ISO 14001.

Продукция компании установлена на миллионах объектах и поставляется более чем в 65 стран СНГ, Европы, Азии, Африки и Северной Америки.

